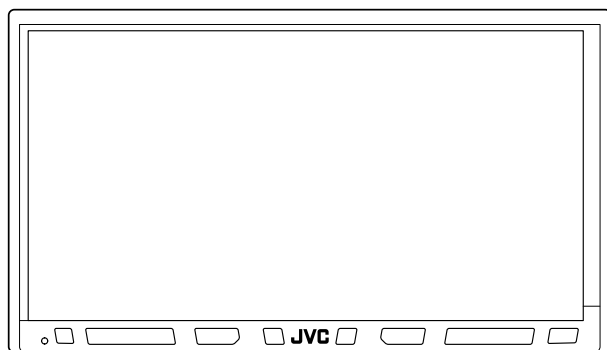
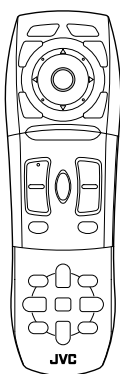


JVC

SERVICE MANUAL

NAVIGATION/DVD RECEIVER

KW-NX7000J, KW-NX7000E, KW-NX7000EE



Only for KW-NX7000J



Only for KW-NX7000E



Only for KW-NX7000E/EE



Only for KW-NX7000EE



Lead free solder used in the board (material : Sn-Ag-Cu, melting point : 219 Centigrade)
Lead free solder used in the board (material : Sn-Cu, melting point : 230 Centigrade)

TABLE OF CONTENTS

1	PRECAUTION	1-6
2	SPECIFIC SERVICE INSTRUCTIONS	1-9
3	DISASSEMBLY	1-9
4	ADJUSTMENT	1-23
5	TROUBLESHOOTING	1-38

SPECIFICATION

KW-NX7000J

NAVIGATION SYSTEM		
System & Service		L1, C/A code
		Global Positioning System
		Standard Positioning Service
Reception System		12-channel multi-channel reception system
Reception Frequency		1 575.42 MHz
Sensitivity		-130 dBm
Update Rate		1/second, continuous
GPS Antenna	Polarization	Right Handed Circular Polarization
	Dimensions (approx.) (W × H × D)	30.4 mm × 11.7 mm × 35.5 mm (1-1/4 inches × 1/2 inch × 1- 7/16 inches)
	Cable (approx.)	5.0 m (16.4 feet)
	Attachment mat size (approx.)	70 mm × 70 mm (2-13/16 inches × 2-13/16 inches)
AMPLIFIER		
Power Output		20 W RMS × 4 Channels at 4 Ω and < or = 1% THD+N
Signal-to-Noise Ratio		80 dBA (reference: 1 W into 4 Ω)
Load Impedance		4 Ω (4 Ω to 8 Ω allowance)
Equalizer Control Range	Frequencies	60 Hz, 150 Hz, 400 Hz, 1 kHz, 2.5 kHz, 6.3 kHz, 15 kHz
	Level	±10 dB
Audio Output Level LINE OUT (FRONT/REAR),SUBWOOFER	Line-Out Level/Impedance	5 V/20 kΩ load (full scale)
	Output Impedance	1 kΩ
Color System		NTSC
Video Output (composite)		1 Vp-p/75 Ω
Other Terminals	Input	LINE IN, VIDEO IN, CAMERA IN, USB input, Antenna input
	Output	VIDEO OUT
	Others	CD changer, OE REMOTE, DIGITAL OUT (optical)
FM/AM TUNER		
Frequency Range	FM (with channel interval set to 100 kHz or 200 kHz)	87.5 MHz to 107.9 MHz
	FM (with channel interval set to 50 kHz)	87.5 MHz to 108.0 MHz
	AM (with channel interval set to 10 kHz)	530 kHz to 1 710 kHz
	AM (with channel interval set to 9 kHz)	531 kHz to 1 602 kHz
FM Tuner	Usable Sensitivity	11.3 dBf (1.0 μV/75 Ω)
	50 dB Quieting Sensitivity	16.3 dBf (1.8 μV/75 Ω)
	Alternate Channel Selectivity (400 kHz)	65 dB
	Frequency Response	40 Hz to 15 000 Hz
	Stereo Separation	35 dB
AM Tuner	Sensitivity/Selectivity	20 μpV/35 dB
DVD/CD		
Signal Detection System		Non-contact optical pickup (semiconductor laser)
Frequency Response	DVD, fs=48 kHz/96 kHz	16 Hz to 22 000 Hz
	VCD/CD	16 Hz to 20 000 Hz
Dynamic Range		93 dB
Signal-to-Noise Ratio		95 dB
Wow and Flutter		Less than measurable limit
SD		
Compatible File System		FAT 32/16/12
Capacity		8 Mbytes to 2 Gbytes

Data Transfer Rate	Maximum 10 Mbps	
USB		
USB Standards	USB 2.0 Full Speed	
Data Transfer Rate	Full Speed: Maximum 12 Mbytes	
	Low Speed: Maximum 1.5 Mbytes	
Compatible Device	Mass storage class	
Compatible File System	FAT 32/16/12	
Max. Current	Less than 500 mA/5V	
MONITOR		
Screen Size	7 inch wide liquid crystal display	
Number of Pixel	336 960 pixels: 480 × 3 (horizontal) × 234 (vertical)	
Drive Method	TFT (Thin Film Transistor) active matrix format	
Color System	NTSC/PAL	
Aspect Ratio	16 : 9 (wide)	
GENERAL		
Power Requirement	Operating Voltage	DC 14.4 V (11 V to 16 V allowance)
Grounding System		Negative ground
Allowable Storage Temperature		-10°C to +60°C (14°F to 140°F)
Allowable Operating Temperature		0°C to +40°C (32°F to 104°F)
Dimensions (W × H × D) With trim plate and sleeve at- tached	Installation Size (approx.)	182 mm × 111 mm × 160 mm
		(7-3/16" × 4-3/8" × 6-5/16")
	Panel Size (approx.)	188 mm × 117 mm × 10 mm
		(7-7/16" × 4-5/8" × 7/16")
Mass (approx.):		3.5 kg (7.8 lbs) (including trims and sleeve)

NAVIGATION SYSTEM		
System & Service		L1, C/A code
		Global Positioning System
		Standard Positioning Service
Reception System		12-channel multi-channel reception system
Reception Frequency		1 575.42 MHz
Sensitivity		-130 dBm
Update Rate		1/second, continuous
GPS Aerial	Polarization	Right Handed Circular Polarization
	Dimensions (approx.) (W × H × D)	30.4 mm × 11.7 mm × 35.5 mm
	Cable (approx.)	5.0 m
	Attachment mat size (approx.)	70 mm × 70 mm
AMPLIFIER		
Maximum Power Output	Front/Rear	50 W per channel
Continuous Power Output (RMS)	Front/Rear	20 W per channel into 4 Ω, 40 Hz to 20 000 Hz at no more than 0.8% total harmonic distortion
Load Impedance		4 Ω (4 Ω to 8 Ω allowance)
Equalizer Control Range	Frequencies	60 Hz, 150 Hz, 400 Hz, 1 kHz, 2.5 kHz, 6.3 kHz, 15 kHz
	Level	±10 dB
Signal-to-Noise Ratio		70 dB
Audio Output Level LINE OUT (FRONT/REAR), SUBWOOFER	Line-Out Level/Impedance	5 V/20 kΩ load (full scale)
	Output Impedance	1 kΩ
Color System		PAL
Video Output (composite)		1 V _{p-p} /75 Ω
Other Terminals	Input	LINE IN, VIDEO IN, CAMERA IN, USB input, Aerial input
	Output	VIDEO OUT
	Others	CD changer, OE REMOTE, DIGITAL OUT (optical)
FM/AM TUNER		
Frequency Range	FM	87.5 MHz to 108.0 MHz
	AM	(MW) 522 kHz to 1 620 kHz
		(LW) 144 kHz to 279 kHz
FM Tuner	Usable Sensitivity	11.3 dBf (1.0 μV/75 Ω)
	50 dB Quieting Sensitivity	16.3 dBf (1.8 μV/75 Ω)
	Alternate Channel Selectivity (400 kHz)	65 dB
	Frequency Response	40 Hz to 15 000 Hz
	Stereo Separation	35 dB
MW Tuner	Sensitivity/Selectivity	20 μV/35 dB
LW Tuner	Sensitivity	50 μV
DVD/CD		
Signal Detection System		Non-contact optical pickup (semiconductor laser)
Frequency Response	DVD, fs=48 kHz/96 kHz	16 Hz to 22 000 Hz
	VCD/CD	16 Hz to 20 000 Hz
Dynamic Range		93 dB
Signal-to-Noise Ratio		95 dB
Wow and Flutter		Less than measurable limit
SD		
Compatible File System		FAT 32/16/12
Capacity		8 Mbytes to 2 Gbytes

Data Transfer Rate	Maximum 10 Mbps	
USB		
USB Standards	USB 2.0 Full Speed	
Data Transfer Rate	Full Speed: Maximum 12 Mbytes	
	Low Speed: Maximum 1.5 Mbytes	
Compatible Device	Mass storage class	
Compatible File System	FAT 32/16/12	
Max. Current	Less than 500 mA/5V	
MONITOR		
Screen Size	7 inch wide liquid crystal display	
Number of Pixel	336 960 pixels: 480 × 3 (horizontal) × 234 (vertical)	
Drive Method	TFT (Thin Film Transistor) active matrix format	
Color System	NTSC/PAL	
Aspect Ratio	16:9 (wide)	
GENERAL		
Power Requirement	Operating Voltage	DC 14.4 V (11 V to 16 V allowance)
Grounding System	Negative ground	
Allowable Storage Temperature	-10°C to +60°C	
Allowable Operating Temperature	0°C to +40°C	
Dimensions (W × H × D)	Installation Size (approx.)	182 mm × 111 mm × 160 mm
With trim plate and sleeve attached	Panel Size (approx.)	188 mm × 117 mm × 10 mm
Mass (approx.)	3.5 kg (including trims and sleeve)	

Design and specifications are subject to change without notice.

SECTION 1 PRECAUTION

1.1 Safety Precautions

- (1) This design of this product contains special hardware and many circuits and components specially for safety purposes. For continued protection, no changes should be made to the original design unless authorized in writing by the manufacturer. Replacement parts must be identical to those used in the original circuits. Services should be performed by qualified personnel only.
- (2) Alterations of the design or circuitry of the product should not be made. Any design alterations of the product should not be made. Any design alterations or additions will void the manufacturer's warranty and will further relieve the manufacturer of responsibility for personal injury or property damage resulting therefrom.
- (3) Many electrical and mechanical parts in the products have special safety-related characteristics. These characteristics are often not evident from visual inspection nor can the protection afforded by them necessarily be obtained by using replacement components rated for higher voltage, wattage, etc. Replacement parts which have these special safety characteristics are identified in the Parts List of Service Manual. Electrical components having such features are identified by shading on the schematics and by (Δ) on the Parts List in the Service Manual. The use of a substitute replacement which does not have the same safety characteristics as the recommended replacement parts shown in the Parts List of Service Manual may create shock, fire, or other hazards.
- (4) The leads in the products are routed and dressed with ties, clamps, tubings, barriers and the like to be separated from live parts, high temperature parts, moving parts and/or sharp edges for the prevention of electric shock and fire hazard. When service is required, the original lead routing and dress should be observed, and it should be confirmed that they have been returned to normal, after reassembling.

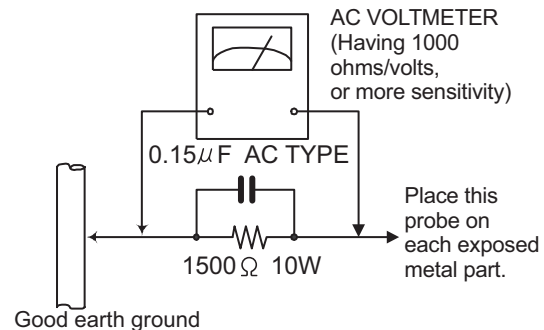
(5) Leakage shock hazard testing

After reassembling the product, always perform an isolation check on the exposed metal parts of the product (antenna terminals, knobs, metal cabinet, screw heads, headphone jack, control shafts, etc.) to be sure the product is safe to operate without danger of electrical shock. Do not use a line isolation transformer during this check.

- Plug the AC line cord directly into the AC outlet. Using a "Leakage Current Tester", measure the leakage current from each exposed metal part of the cabinet, particularly any exposed metal part having a return path to the chassis, to a known good earth ground. Any leakage current must not exceed 0.5mA AC (r.m.s.).
- Alternate check method
Plug the AC line cord directly into the AC outlet. Use an AC voltmeter having, 1,000 Ω per volt or more sensitivity in the following manner. Connect a 1,500 Ω 10W resistor paralleled by a 0.15 μ F AC-type capacitor between an exposed metal part and a known good earth ground. Measure the AC voltage across the resistor with the AC

voltmeter.

Move the resistor connection to each exposed metal part, particularly any exposed metal part having a return path to the chassis, and measure the AC voltage across the resistor. Now, reverse the plug in the AC outlet and repeat each measurement. Voltage measured any must not exceed 0.75 V AC (r.m.s.). This corresponds to 0.5 mA AC (r.m.s.).



1.2 Warning

- (1) This equipment has been designed and manufactured to meet international safety standards.
- (2) It is the legal responsibility of the repairer to ensure that these safety standards are maintained.
- (3) Repairs must be made in accordance with the relevant safety standards.
- (4) It is essential that safety critical components are replaced by approved parts.
- (5) If mains voltage selector is provided, check setting for local voltage.

1.3 Caution

Burrs formed during molding may be left over on some parts of the chassis.

Therefore, pay attention to such burrs in the case of pre-forming repair of this system.

1.4 Critical parts for safety

In regard with component parts appearing on the silk-screen printed side (parts side) of the PWB diagrams, the parts that are printed over with black such as the resistor (■), diode (■) and ICP (●) or identified by the " Δ " mark nearby are critical for safety. When replacing them, be sure to use the parts of the same type and rating as specified by the manufacturer.
(This regulation does not Except the J and C version)

1.5 Preventing static electricity

Electrostatic discharge (ESD), which occurs when static electricity stored in the body, fabric, etc. is discharged, can destroy the laser diode in the traverse unit (optical pickup). Take care to prevent this when performing repairs.

1.5.1 Grounding to prevent damage by static electricity

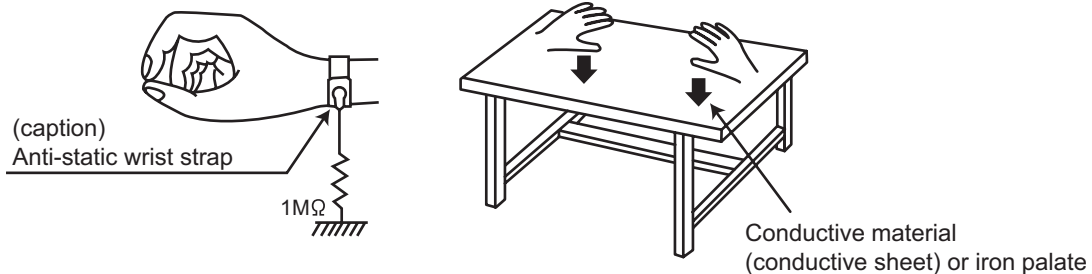
Static electricity in the work area can destroy the optical pickup (laser diode) in devices such as laser products. Be careful to use proper grounding in the area where repairs are being performed.

(1) Ground the workbench

Ground the workbench by laying conductive material (such as a conductive sheet) or an iron plate over it before placing the traverse unit (optical pickup) on it.

(2) Ground yourself

Use an anti-static wrist strap to release any static electricity built up in your body.



(3) Handling the optical pickup

- In order to maintain quality during transport and before installation, both sides of the laser diode on the replacement optical pickup are shorted. After replacement, return the shorted parts to their original condition. (Refer to the text.)
- Do not use a tester to check the condition of the laser diode in the optical pickup. The tester's internal power source can easily destroy the laser diode.

1.6 Handling the traverse unit (optical pickup)

(1) Do not subject the traverse unit (optical pickup) to strong shocks, as it is a sensitive, complex unit.

(2) Cut off the shorted part of the flexible cable using nippers, etc. after replacing the optical pickup. For specific details, refer to the replacement procedure in the text. Remove the anti-static pin when replacing the traverse unit. Be careful not to take too long a time when attaching it to the connector.

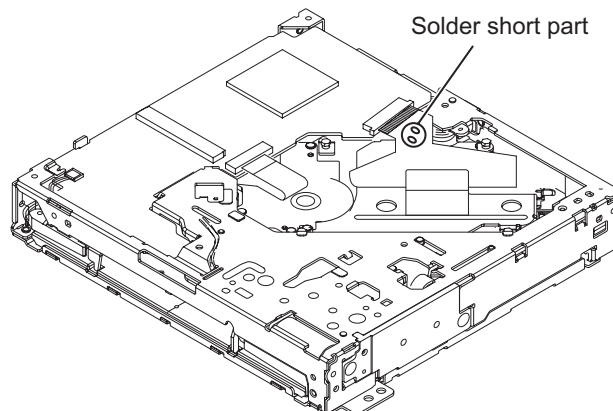
(3) Handle the flexible cable carefully as it may break when subjected to strong force.

(4) It is not possible to adjust the semi-fixed resistor that adjusts the laser power. Do not turn it.

1.7 Attention when traverse unit is decomposed

***Please refer to "Disassembly method" in the text for the pickup unit.**

- Apply solder to the short land sections before the card wire is disconnected from the connector on the servo board. (If the card wire is disconnected without applying solder, the pickup may be destroyed by static electricity.)
- In the assembly, be sure to remove solder from the short land sections after connecting the card wire.



1.8 Important for laser products

1.CLASS 1 LASER PRODUCT

2.CAUTION :

(For U.S.A.) Visible and/or invisible class II laser radiation when open. Do not stare into beam.

(Others) Visible and/or invisible class 1M laser radiation when open. Do not view directly with optical instruments.

3.CAUTION : Visible and/or invisible laser radiation when open and inter lock failed or defeated. Avoid direct exposure to beam.

4.CAUTION : This laser product uses visible and/or invisible laser radiation and is equipped with safety switches which prevent emission of radiation when the drawer is open and the safety interlocks have failed or are defeated. It is dangerous to defeat the safety switches.

(For U.S.A.)

CAUTION : Visible and/or invisible class II laser radiation when open. Do not stare into beam.

(Others)

CAUTION : Visible and/or invisible class 1M laser radiation when open. Do not view directly with optical instruments

ACHTUNG: Sichtbare und/oder unsichtbare Laserstrahlung der Klasse 1M bei offenen Abdeckungen. Nicht direkt mit optischen Instrumenten betrachten.

ATTENTION: Rayonnement laser visible et/ou invisible de classe 1M une fois ouvert. Ne pas regarder directement avec des instruments optiques.

VOORZICHTIG: Zichtbare en/of onzichtbare klasse 1M laserstralen indien geopend. Bekijk niet direct met optische instrumenten.

ATTENZIONE: Radiazione laser in classe 1M visibile e/o invisibile quando aperto. Non osservare direttamente con strumenti ottici.

WARNING: Synlig och/eller osynlig laserstrålning, klass 1M, när denna del är öppnad. Betrakta ej strålen med optiska instrument.

VARO! Avattaessa olet alttiina nakyyvalle ja/tai näkymättömälle luokan 1M lasersateilylle. Älä tarkastele sitä optisen laitteen läpi.

ADVASEL: Synlig og/eller usynlig klasse 1M-laserstrålning ved åbning. Se ikke direkte med optiske instrumenter.

AVISO: Radiación láser de clase 1M visible y/o invisible cuando está abierto. No mirar directamente con instrumental óptico.

PRECAUÇÃO: Radiação laser de classe 1M visível e/ou invisível quando aberto. Não olhe diretamente com instrumentos ópticos.

5.CAUTION : If safety switches malfunction, the laser is able to function.

6.CAUTION : Use of controls, adjustments or performance of procedures other than those specified here in may result in hazardous radiation exposure.



CAUTION Please use enough caution not to see the beam directly or touch it in case of an adjustment or operation check.

PRECAUÇÃO: Radiação laser de classe 1M visível e/ou invisível quando aberto. Não olhe diretamente com instrumentos ópticos.

ПРЕДУПРЕЖДЕНИЕ: В открытом состоянии происходит видимое и/или невидимое излучение лазера класса 1M. Не смотрите непосредственно в оптические инструменты.

UWAGA: Otwarcie spowoduje narażenie na widzialne i/lub niewidzialne promieniowanie lasera klasy 1M. Nie patrzeć bezpośrednio w przyrządy optyczne.

UPOZORNĚNÍ: Při otevření vydává viditelné popř. neviditelné laserové ozáření třídy 1M. Nedívejte se do otvoru přímo s optickými nástroji.

FIGYELMEZTETÉS: Látható és/vagy láthatatlan 1M osztályú sugárzás nyitott állapotban. Ne nézze közvetlenül optikai műszerekkel.

注意: 打開蓋板可能會產生可見或不可見的 1M 級鐳射。不要使用光學儀器直接進行窺視。

注意: 打开蓋板可能会产生可见或不可见的 1M 级辐射。不要使用光学仪器直接进行窥视。

تنبيه: يوجد إشعاع ليزري مرئي و/أو غير مرئي من الفئة 1M عندما يكون الجهاز مفتوحاً. تجنب النظر مباشرة داخل الجهاز باستخدام أدوات بصرية.

احتياطات: هنگامی که باز گردد، تشعشع مرئی و یا نامرئی کلاس 1M لیزر وجود دارد. با لوازم چشمی مستقیماً به آن نگاه نکنید.

주의: 개방하면 가시 및/또는 비가시 클래스 1M 레이저 방사선이 나옵니다. 광학 기구로 직접 들여다보지 마십시오.

REPRODUCTION AND POSITION OF LABELS and PRINT WARNING LABEL and PRINT



CAUTION VISIBLE AND/OR INVISIBLE CLASS 1M LASER RADIATION WHEN OPEN. DO NOT VIEW DIRECTLY WITH OPTICAL INSTRUMENTS. IEC60825-1:2001 (ENG)	ATTENTION RAYONNEMENT LASER VISIBLE ET/OU INVISIBLE DE CLASSE 1M UNE FOIS OUVERT. NE PAS REGARDER DIRECTEMENT AVEC DES INSTRUMENTS OPTIQUES. (FRA)	AVISO RADIACIÓN LASER DE CLASE 1M VISIBLE Y/O INVISIBLE CUANDO ESTÁ ABIERTO. NO MIRAR DIRECTAMENTE CON INSTRUMENTAL ÓPTICO. (ESP)	WARNING SYNLIG OCH/ELLER OSYNLIG LASERSTRÅLNING, KLASS 1M, NÅR DENNA DEL ÄR ÖPPNAD. BETRAKTA EJ STRÅLEN MED OPTISKA INSTRUMENT. (SWE)	注意 ニニモ顯くと不可視 及び/または不可視 のクラス1M レーザー放射が 出ます。 光学儀器で直接 見ないでください。 (JPN)	CAUTION VISIBLE AND/OR INVISIBLE CLASS II LASER RADIATION WHEN OPEN. DO NOT STARE INTO BEAM. FDA 21 CFR (ENG) LV44603-003A
--	--	---	---	---	---

SECTION 2 SPECIFIC SERVICE INSTRUCTIONS

This service manual does not describe SPECIFIC SERVICE INSTRUCTIONS.

SECTION 3 DISASSEMBLY

3.1 Main body

3.1.1 Removing the Heat sink (See Fig.1)

- (1) Remove the three screws **A** and four screws **B** attaching the Heat sink.

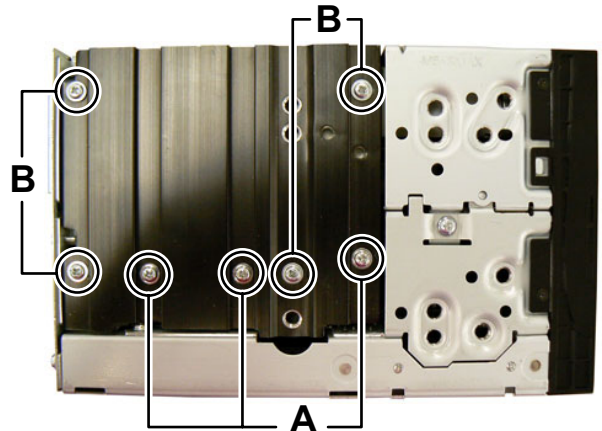


Fig.1

3.1.2 Removing the Rear bracket (See Fig.2 to 4)

- (1) Remove the three screws **C** attaching the Rear heat sink. (See Fig.2)
- (2) Remove the ten screws **D** and one screw **E** attaching the rear bracket. (See Fig.3)
- (3) Disconnect the connector wire from Car cable connected to connector [CN601](#) of the Sub board. (See Fig.4)
- (4) Disconnect the connector wire from Fan connected to connector [CN604](#) of the Sub board. (See Fig.4)
- (5) Disconnect the card wire from Main board connected to connector [CN605](#) of the Sub board. (See Fig.4)
- (6) Disconnect the connector wire from Main board connected to connector [CN607](#) of the Sub board. (See Fig.4)

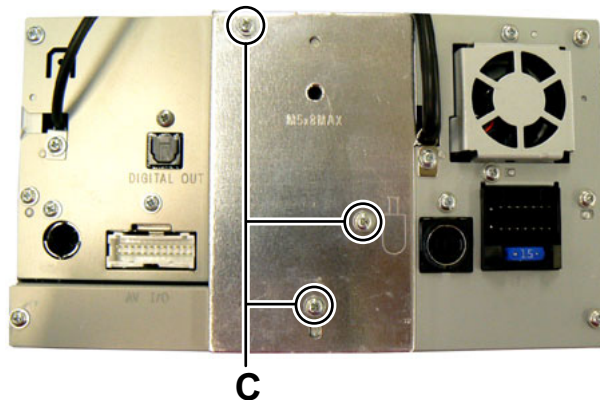


Fig.2

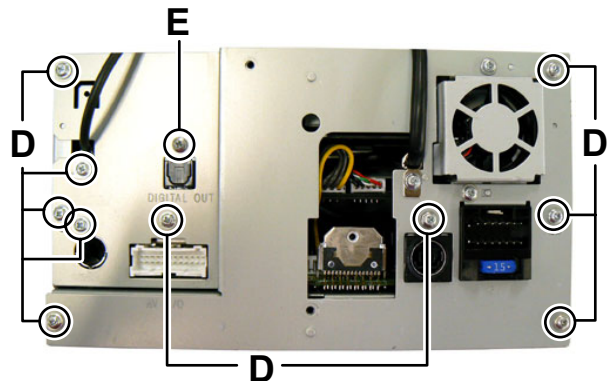


Fig.3

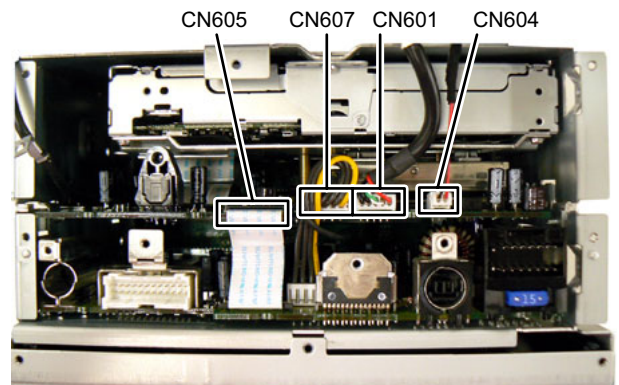


Fig.4

3.1.3 Removing the Front chassis (See Fig.5 to 9)

- (1) From the bottom side of main body, insert screwdriver to hole of the third gear from hole **a** of the bottom chassis, and the turn the gear to clockwise until Front bracket comes up. (See Fig.5)
- (2) Remove the two screws **F** attaching the both side of Front bracket. (See Fig.6)
- (3) Remove the three screws **H** attaching the FPC cover. (See Fig.7)
- (4) Remove the two screws **J** attaching the SD card cover. (See Fig.7)
- (5) Disconnect the card wires from Front bracket connected to connector **CN803** and **CN804** of the Panel board. (See Fig.8)
- (6) Remove the four screws **G** attaching the both side of Front chassis. (See Fig.6)
- (7) Disengage two hooks **a** engaged both side of Front chassis. (See Fig.6)
- (8) Disengage two hooks **b** engaged both side of Front chassis. (See Fig.9)

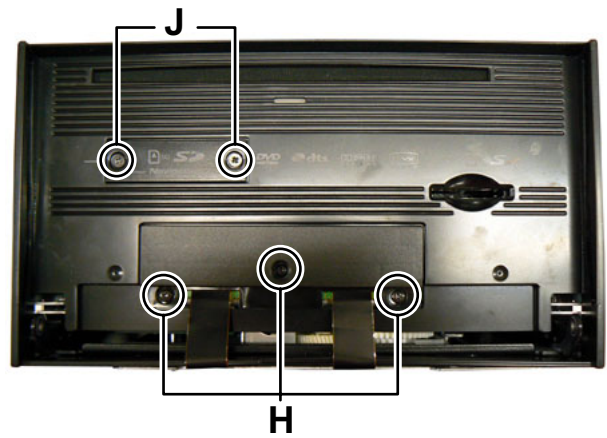


Fig.7

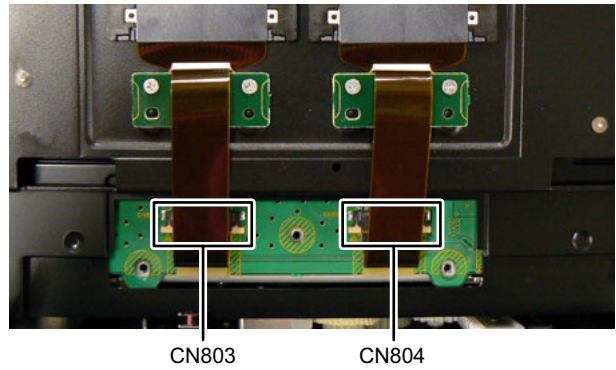


Fig.8

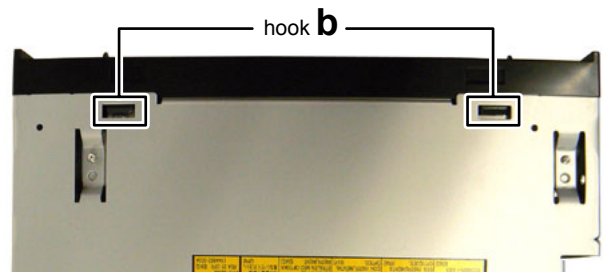


Fig.9

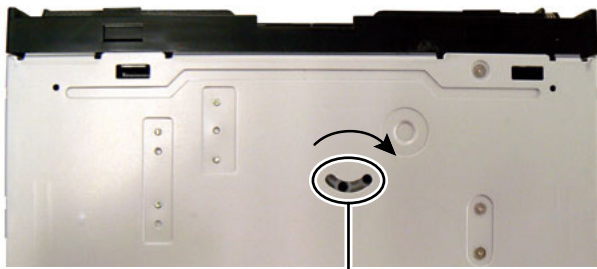


Fig.5

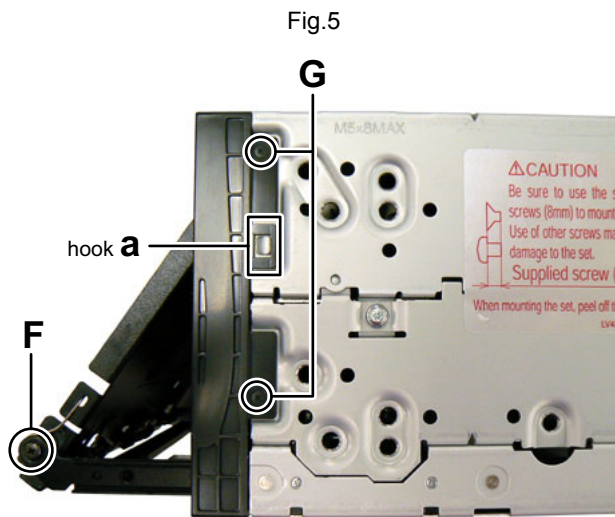


Fig.6

3.1.4 Removing the Top chassis (See Fig.10 to 13)

- (1) Remove the two screws **K** attaching the Front board. (See Fig.10)
- (2) Disconnect the card wire from Main board connected to connector **CN983** of the Sub board. (See Fig.11)
- (3) Remove the four screws **L** attaching the both side of Top chassis. (See Fig.12, 13)

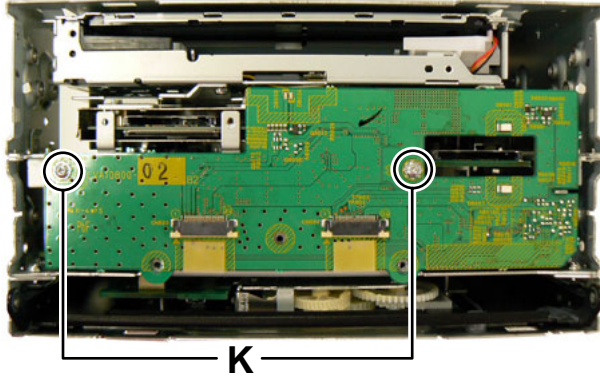


Fig.10

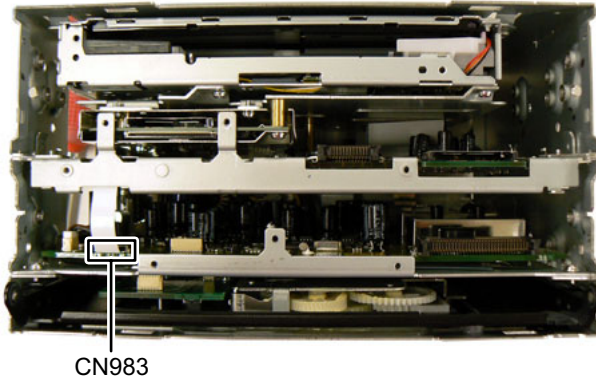


Fig.11

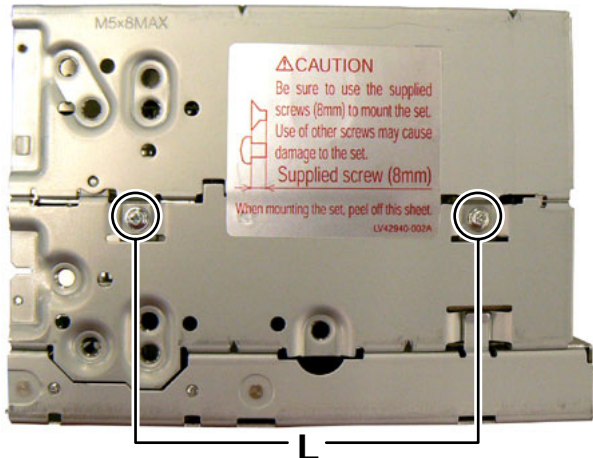


Fig.12

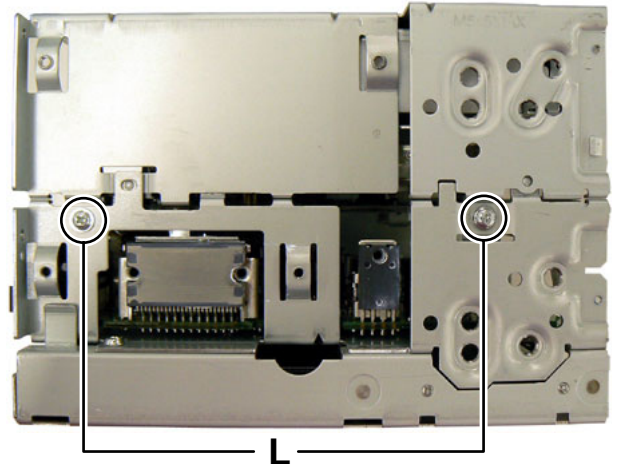


Fig.13

3.1.5 Removing the Main board (See Fig.14)

- (1) Disconnect the connector wire from Mecha switch board connected to connector [CN961](#) of the Main board.
- (2) Remove the four screws **M** attaching the Main board.

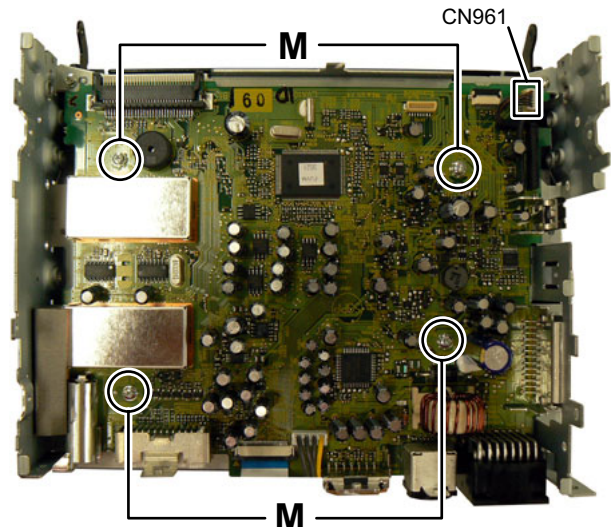


Fig.14

3.1.6 Removing the Sub board (See Fig.15, 16)

- (1) Remove the six screws **N** attaching the Sub board. (See Fig.15)
- (2) Disconnect the card wire from DVD mechanism connected to connector [CN602](#) of the Sub board. (See Fig.16)

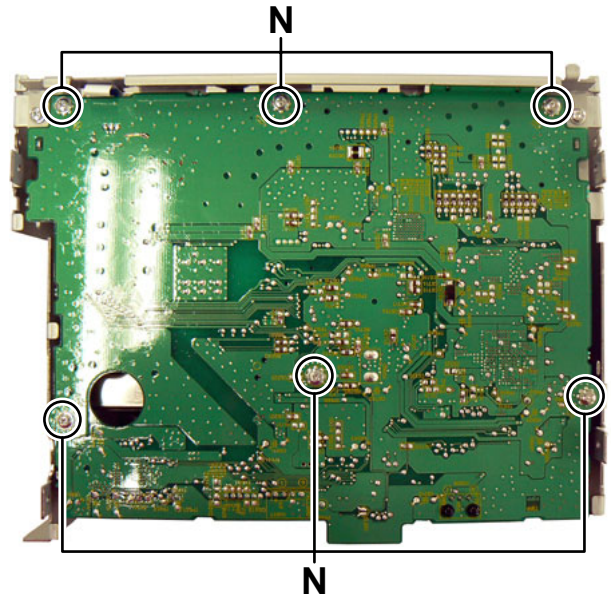


Fig.15

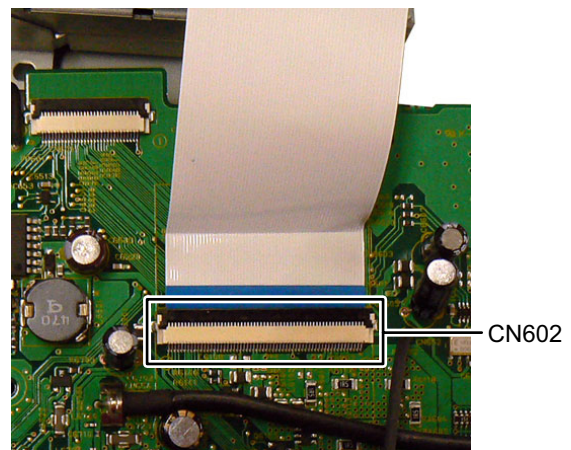


Fig.16

3.1.7 Removing the Navi board and the DVD mechanism (See Fig.17 to 21)

- (1) Remove the two screws **P** attaching the Front board bracket.(See Fig.17)
- (2) Remove the three screws **Q** attaching the Navi shield top.(See Fig.18)
- (3) Remove the four screws **R** attaching the Navi shield bottom.(See Fig.19)
- (4) Remove the four screws **S** attaching the CPU bracket.(See Fig.20)
- (5) Remove the three screws **T** attaching the DVD mechanism.(See Fig.21)

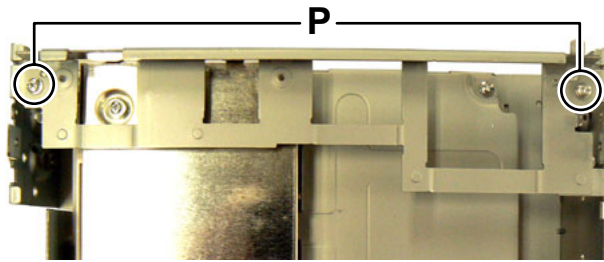


Fig.17

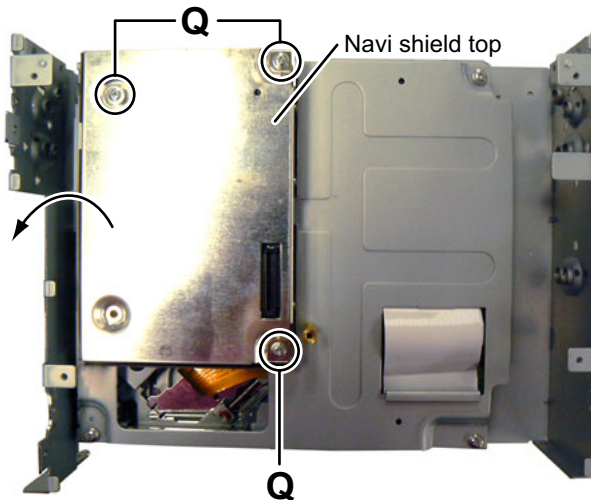


Fig.18

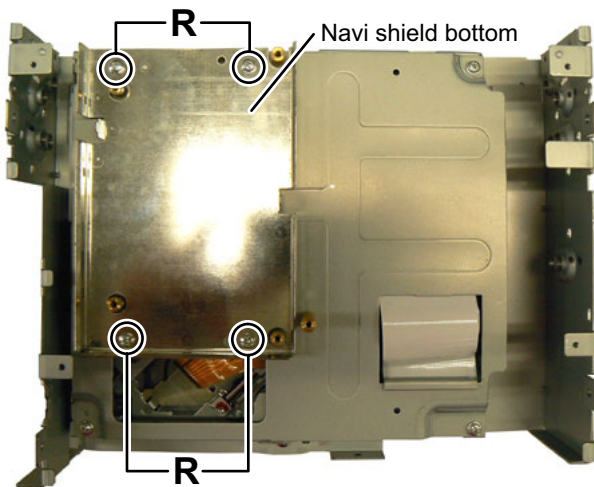


Fig.19

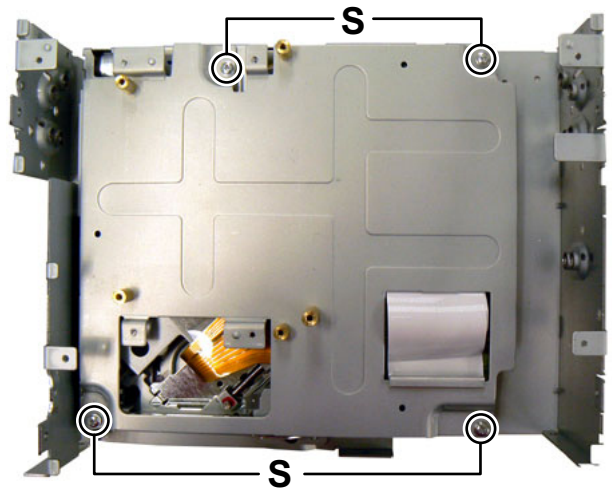


Fig.20

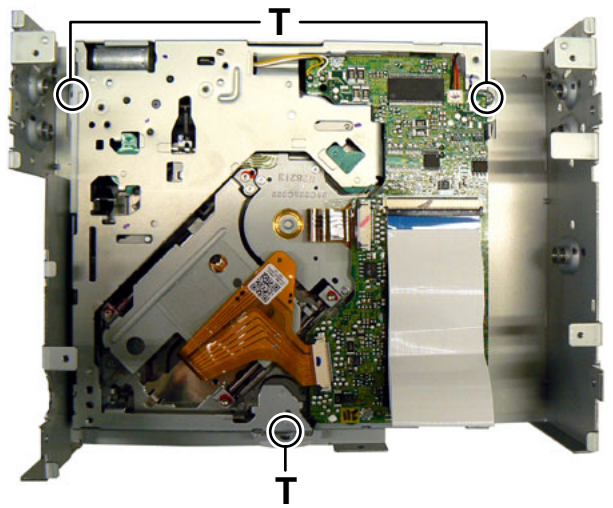


Fig.21

3.1.8 Removing the Motor board (See Fig.22, 23)

- (1) Remove the four screws **U** attaching the Mid chassis.
(See Fig.22)
- (2) Remove the three screws **V** attaching the Motor board.
(See Fig.23)

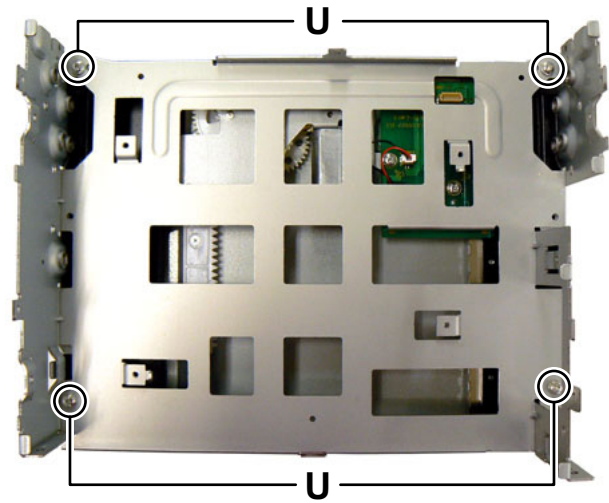


Fig.22

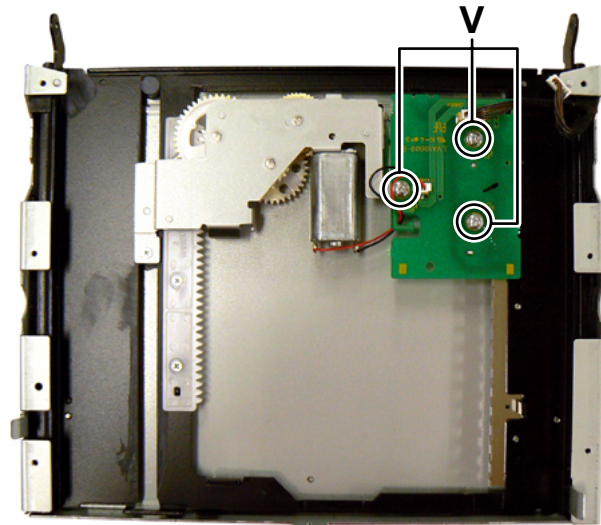


Fig.23

3.2 Monitor section

3.2.1 Removing the Rear cover (See Fig.1 to 3)

- (1) Remove the ten screws **A** and five screws **B** attaching the Rear cover. (See Fig.1, 2)
- (2) Disconnect the card wire from Panel board connected to connector [CN881](#) of the Connection board. (See Fig.3)

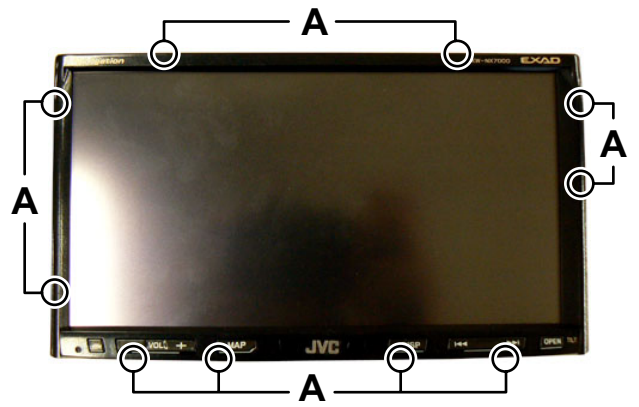


Fig.1

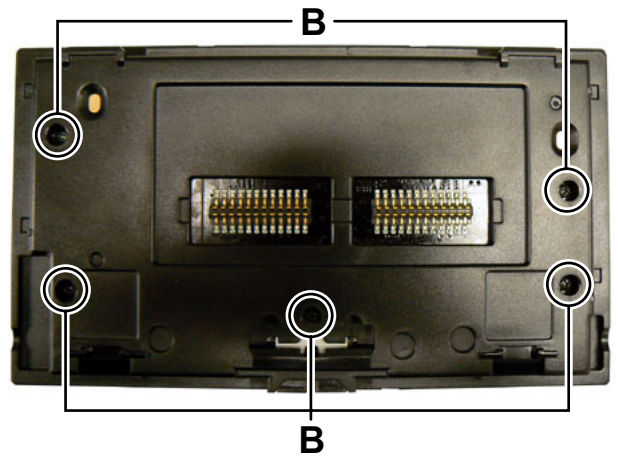


Fig.2

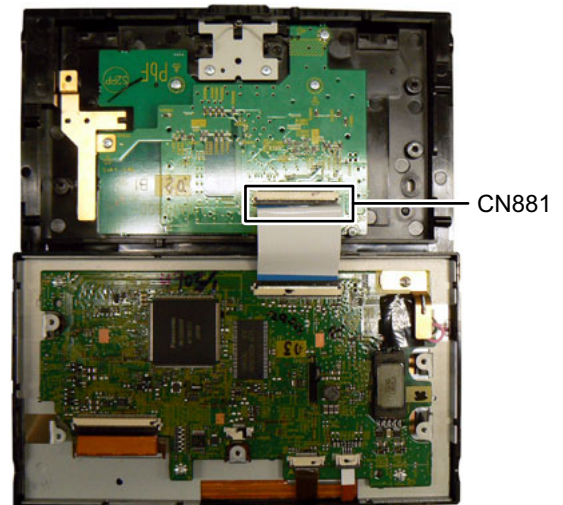


Fig.3

3.2.2 Removing the Connection board (See Fig.4)

- (1) Remove the five screws **C** attaching the Connection board.

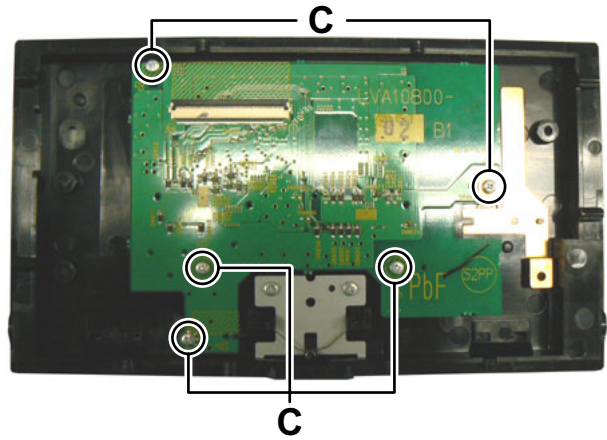


Fig.4

3.2.3 Removing the Panel board (See Fig.5)

- (1) Disconnect the connector wire from LCD module connected to connector **CN403** of the Panel board.
- (2) Disconnect the card wire from LCD module connected to connector **CN401** of the Panel board.
- (3) Disconnect the card wire from Switch board connected to connector **CN501** and **CN502** of the Panel board.
- (4) Remove the four screws **D** attaching the Panel board.

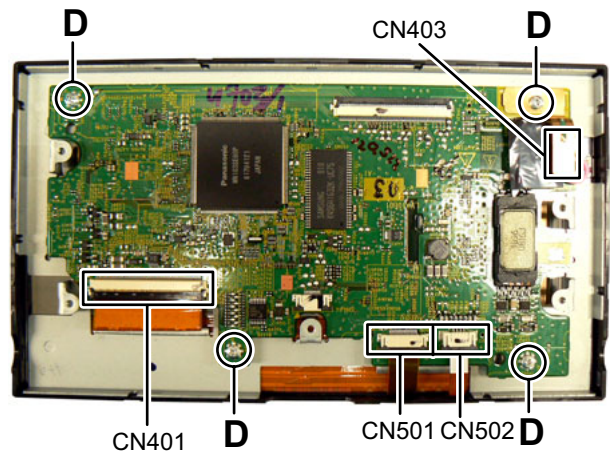


Fig.5

3.2.4 Removing the LCD module (See Fig.6)

- (1) Disengage six hooks **a** engaged Panel bracket.

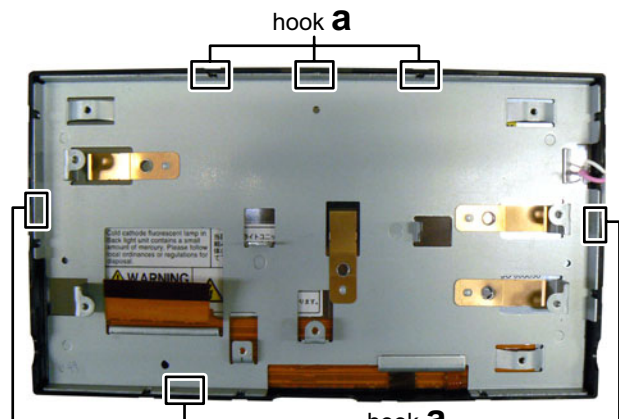


Fig.6

3.3 DVD mechanism

3.3.1 Removing the Traverse mechanism assembly (See Fig.1 to 6)

- (1) Solder the short land section on the flexible wire of pickup.
(See Fig.1)

Caution:

* Solder the short land section on the flexible wire of pickup before disconnecting the flexible wire from the connector **CN101** on the Front end board.

If the flexible wire is disconnected without attaching the solder, the pickup may be destroyed by static electricity.

* When attaching the Traverse mechanism assembly, remove the solder from the short land section after connection the flexible wire to the connector **CN101** on the Front end board.

- (2) Voltage supply to **TP79** and **TP81** approx DC 3.0V until Clamper is shift to loading complete position. (See Fig.2)
- (3) Disconnect the flexible wires from Traverse mechanism assembly connected to connector **CN101** and **CN164** of the Front end board. (See Fig.2)
- (4) Remove the five screws **A** attaching the Top cover assembly. (See Fig.3)
- (5) From the bottom side, disconnect the connector wire from Top cover assembly connected to connector **CN2** of the Front end board. (See Fig.4)
- (6) From the bottom side, remove the spring from Traverse mechanism assembly. (See Fig.5)
- (7) From the top side, pull up the traverse mechanism and disengage three dumper positions. (See Fig.6)

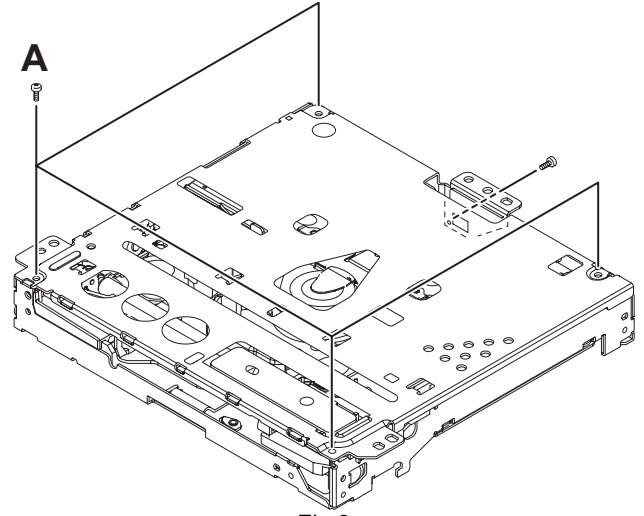


Fig.3

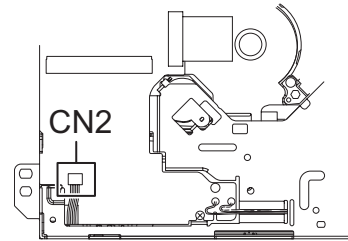


Fig.4

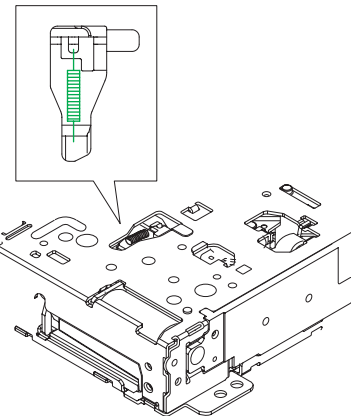


Fig.5

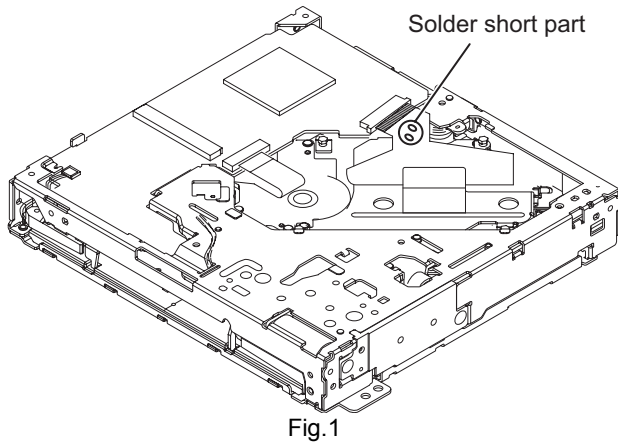


Fig.1

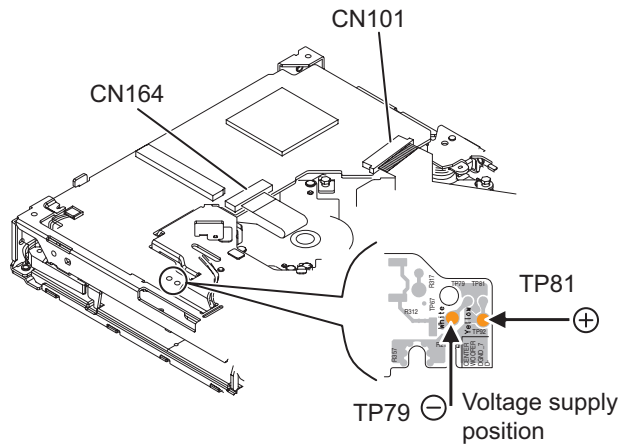


Fig.2

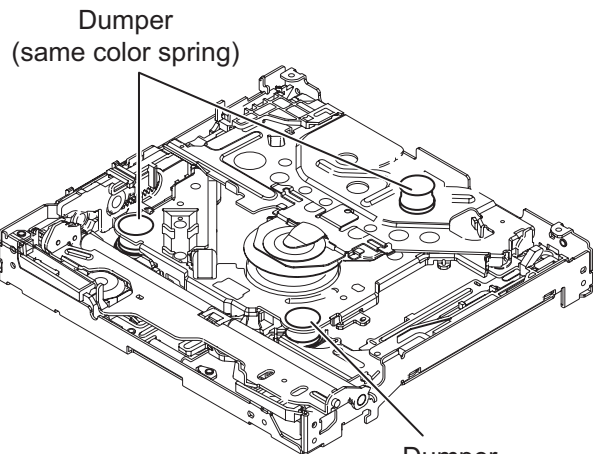


Fig.6

3.3.2 Removing the Front end board (See Fig.7)

- (1) Remove the Motor wires from loading motor soldered to [TP79](#) and [TP81](#) of the Front end board.
- (2) Remove the two screws **B** attaching the Front end board.

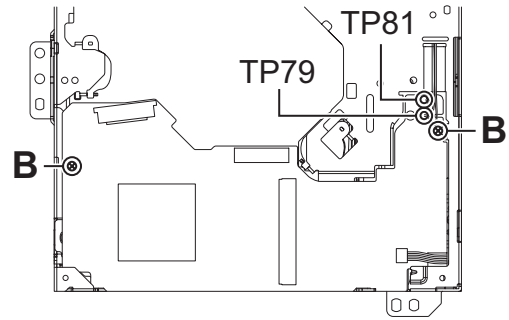


Fig.7

3.3.3 Removing the Loading arm assembly (See Fig.8)

- (1) Remove the Loading arm spring L from Loading arm assembly.
- (2) Slide to left side and then disengage hook **a** then hook **b**.

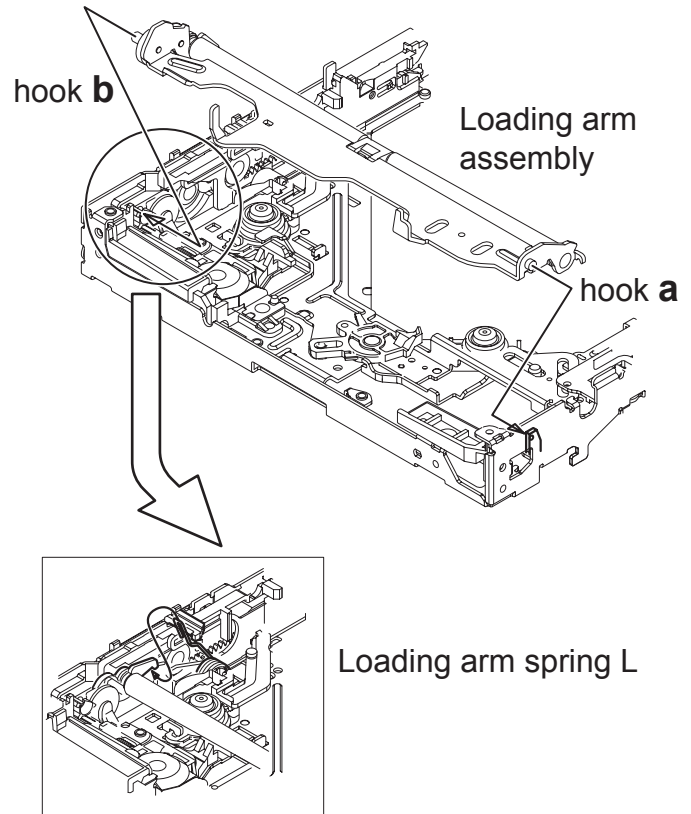


Fig.8

3.3.4 Removing the Gear base assembly (See Fig.9, 10)

- (1) Remove the Loading arm spring L. (See Fig.9)
- (2) Remove the two screws C attaching the Gear base assembly. (See Fig.10)

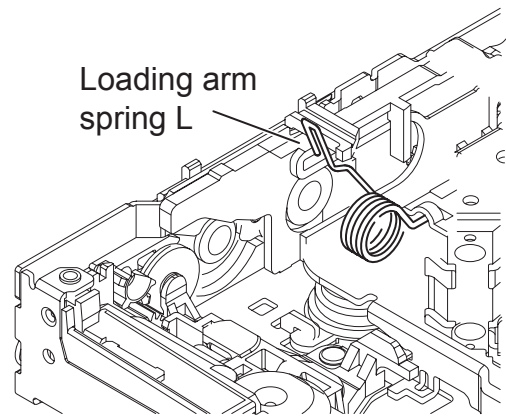


Fig.9

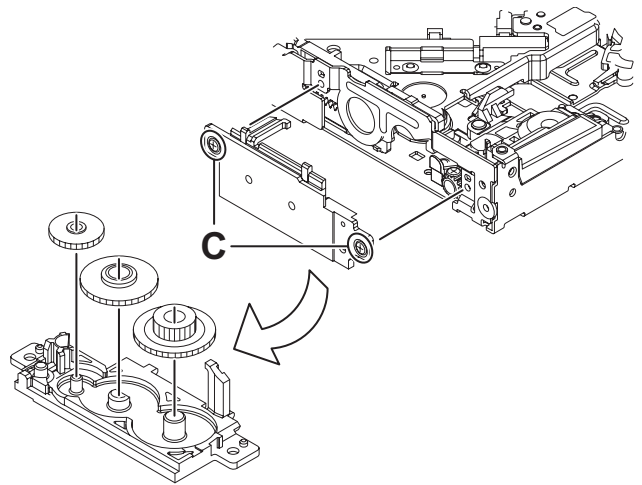


Fig.10

3.3.5 Removing the Loading arm holder. (See Fig.11)

- (1) Remove the two screws D attaching the Loading arm holder.
- (2) Remove the Loading arm spring R.

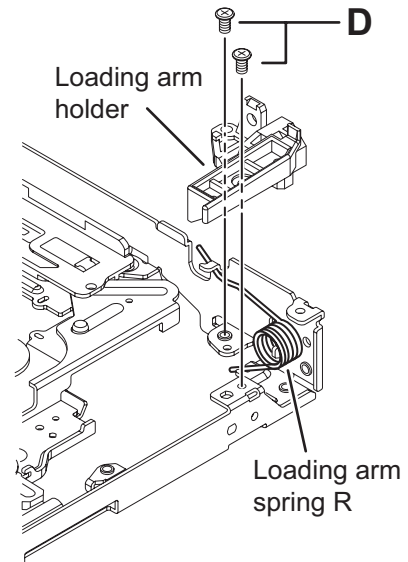


Fig.11

3.3.6 Removing the Loading motor assembly (See Fig.12)

- (1) Remove the three screws **E** attaching the Loading motor assembly.

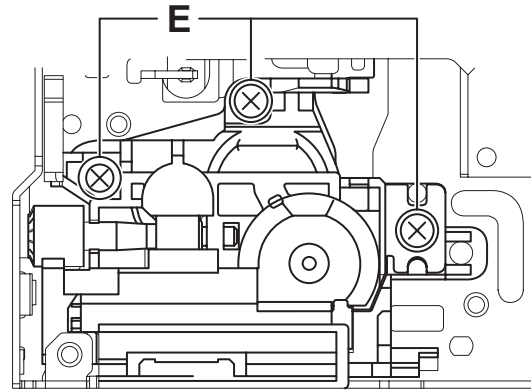


Fig.12

3.3.7 Removing the Slide cam assembly (See Fig.13)

- (1) Slide to backward the Slide cam assembly and then remove the Slide cam spring.
- (2) Slide to forward the slide cam assembly, and then take out it.

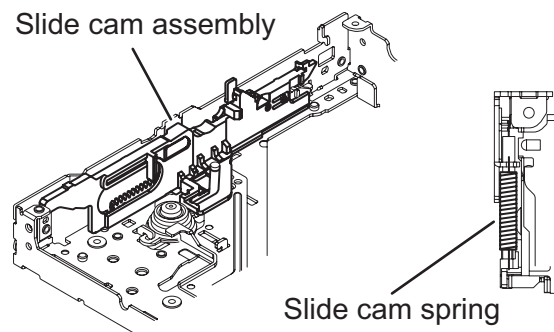


Fig.13

3.3.8 Removing the Photo board (See Fig.14)

- (1) Pressing the hook **c** and then slide to backward (slide to the arrow side) the Disc plate.
- (2) Remove the one screw **F** attaching the Photo board.

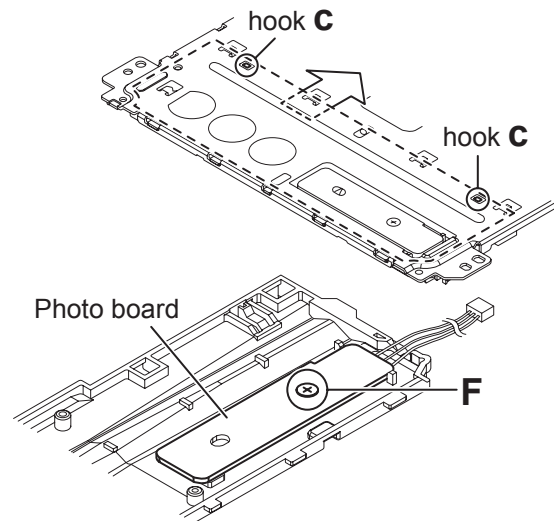


Fig.14

3.3.9 Removing the Loading motor (See Fig.15 to 18)

- (1) Remove the A wheel gear. (See Fig.15)
- (2) Remove the A worm gear, M connect gear and M wheel gear by sequentially. (See Fig.16)
- (3) Remove the two screws **G** attaching the Loading motor. (See Fig.17)
- (4) When attaching the Loading motor, motor wire should arrange to figure. (See Fig.18)

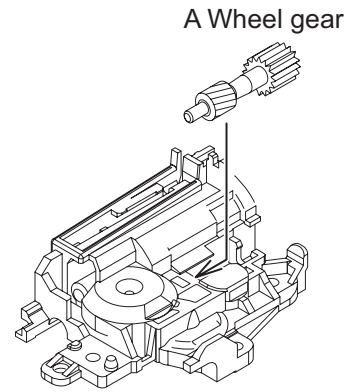


Fig.15

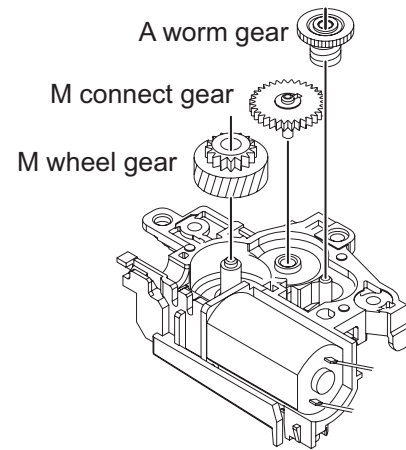


Fig.16

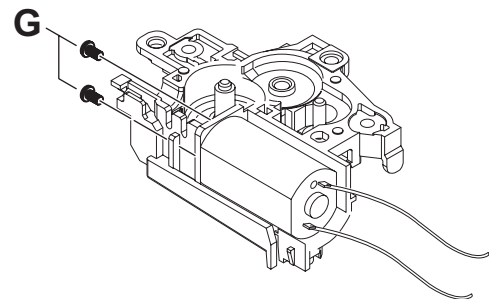


Fig.17

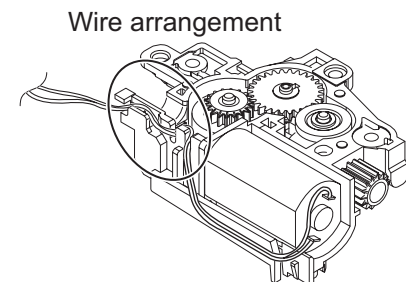


Fig.18

3.3.10 Removing the Roller assembly (See Fig.19)

- (1) Remove the Slit washer.
- (2) Remove the R middle gear.
- (3) Remove the R connect gear.
- (4) Snap off the part a of the Roller assembly.
- (5) Lift up the part b of the Roller assembly, and then release part c (When release part c, R collar R is easy to come off, does not lose it).

CAUTION:

When reattach the Roller assembly, Middle gear should keep direction and Slit washer should be change new part.

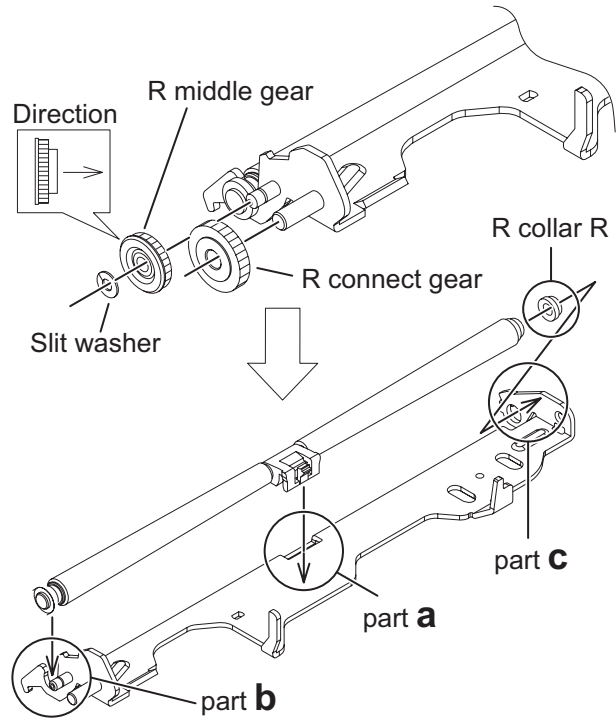


Fig.19

3.3.11 Removing the Roller (See Fig.20)

- (1) Remove the Slit washer.
- (2) Pull out the Roller shaft.

CAUTION:

When reattach the Roller shaft, Slit washer should be change new part.

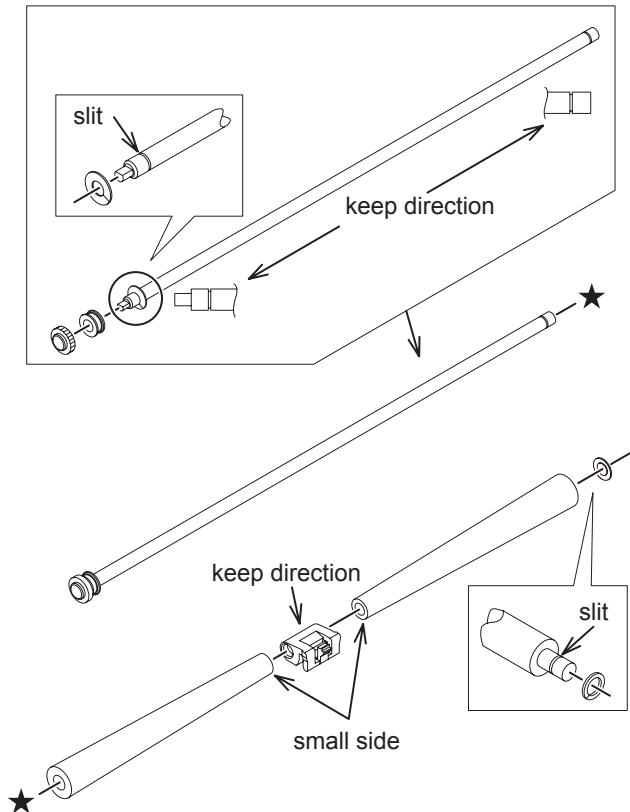


Fig.20

SECTION 4 ADJUSTMENT

4.1 Test instruments required for adjustment

- (1) Digital oscilloscope (100MHz)
- (2) Digital tester
- (3) Test Disc
- (4) Extension cable : EXTXD002-60PF (CN881-CN503)
(CN602-CN403)
: EXTDV001-30PF (CN982-CN605)
: EXTLX001-4P (WR981-CN607)
: EXTFP001-30P (CN981-CN802)
: EXTFP001-12P (CN606-CN801)
: EXTCN001-6P (CN961-CN851)
: EXTJD001-14PF (CN983-CN653)
- (5) Extension studs : STDV001-3P

4.2 Standard measuring conditions

Load impedance 20K.(2 Speakers connection)
Power supply voltage DC14.4V(10.5 to 16V)
Output Level Line out 2.5V (Vol. MAX)

4.3 Standard volume position

Balance and Bass & Treble volume : Indication "0"
Loudness : OFF

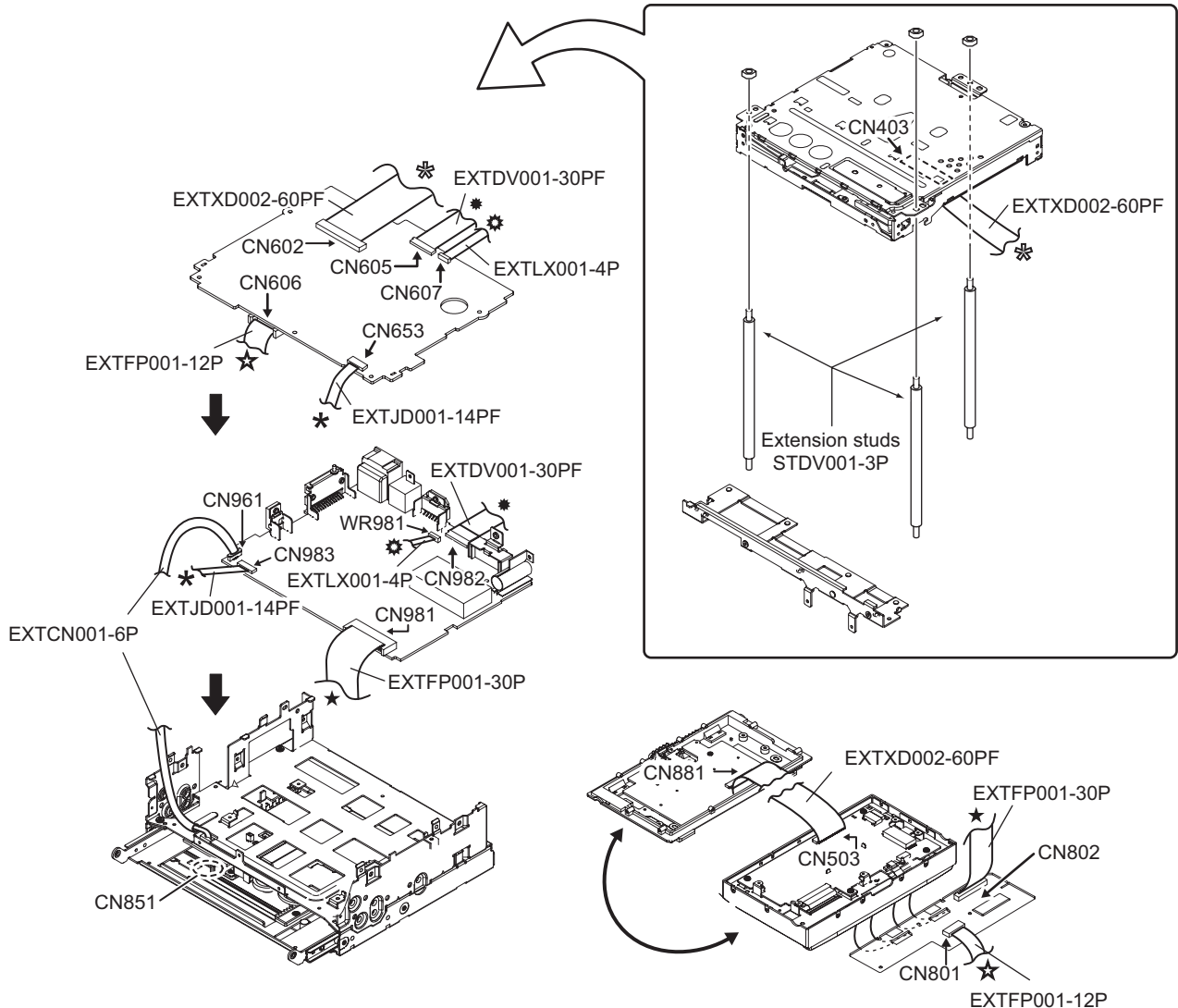
4.4 Dummy load

Exclusive dummy load should be used for AM, and FM.
For FM dummy load, there is a loss of 6dB between SSG output and antenna input.
The loss of 6dB need not be considered since direct reading off figures are applied in this working standard.

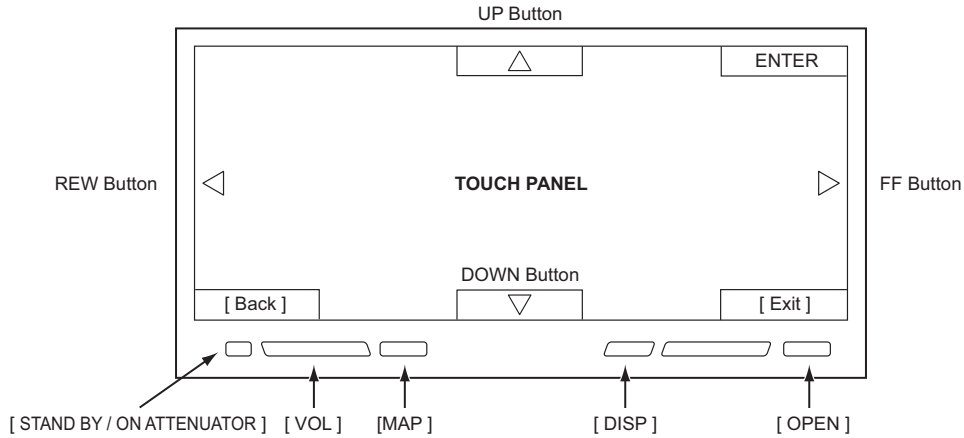
4.5 How to connect the extension cable for adjusting

Caution:

Be sure to attach the heat sink and rear bracket onto the power amplifier IC and regulator IC respectively, before supply the power.
If voltage is applied without attaching these parts, the power amplifier IC and regulator IC will be destroyed by heat.



4.6 Service mode



Note :

There is the function that is not displayed by a version.

4.6.1 Service mode 1 (Indication of a service mode 1 is nothing.)

Keep this state more 2 seconds while continuing pressing the [STANDBY/ON ATTENUATOR] button and [OPEN] button sequentially.

Screen indication

NO EJECT? *1
EMERGENCY EJECT *2

Exchanging it operate a menu of a service mode with the [UP] button and [DOWN] button. Operate choice of a menu with a [ENTER] button.

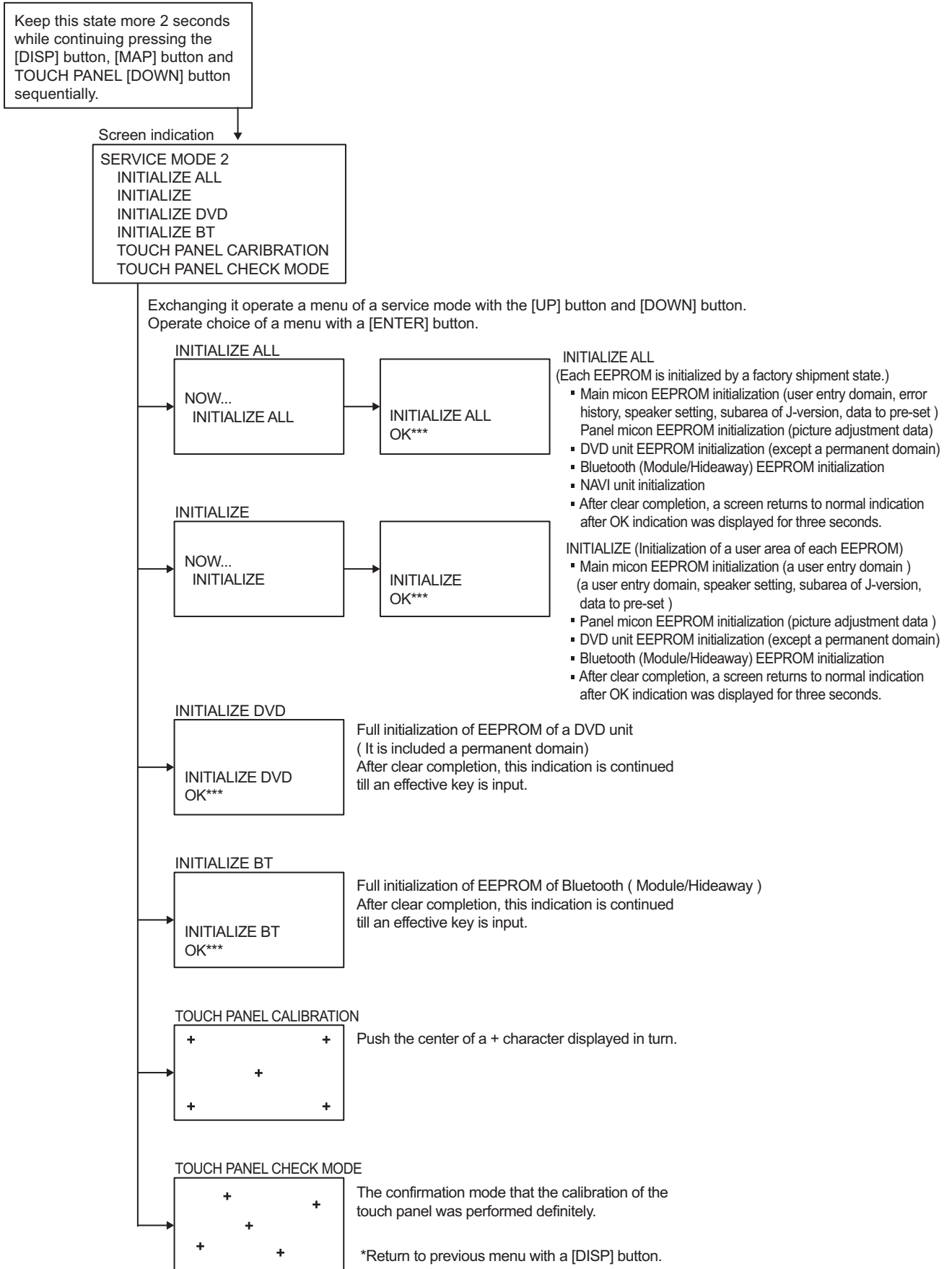
*1 : When an [ENTER] button is pushed in NO EJECT indication, it is set by an EJECT prohibition mode.

When an [ENTER] button is pushed in EJECT OK indication, it is set by a normal mode.

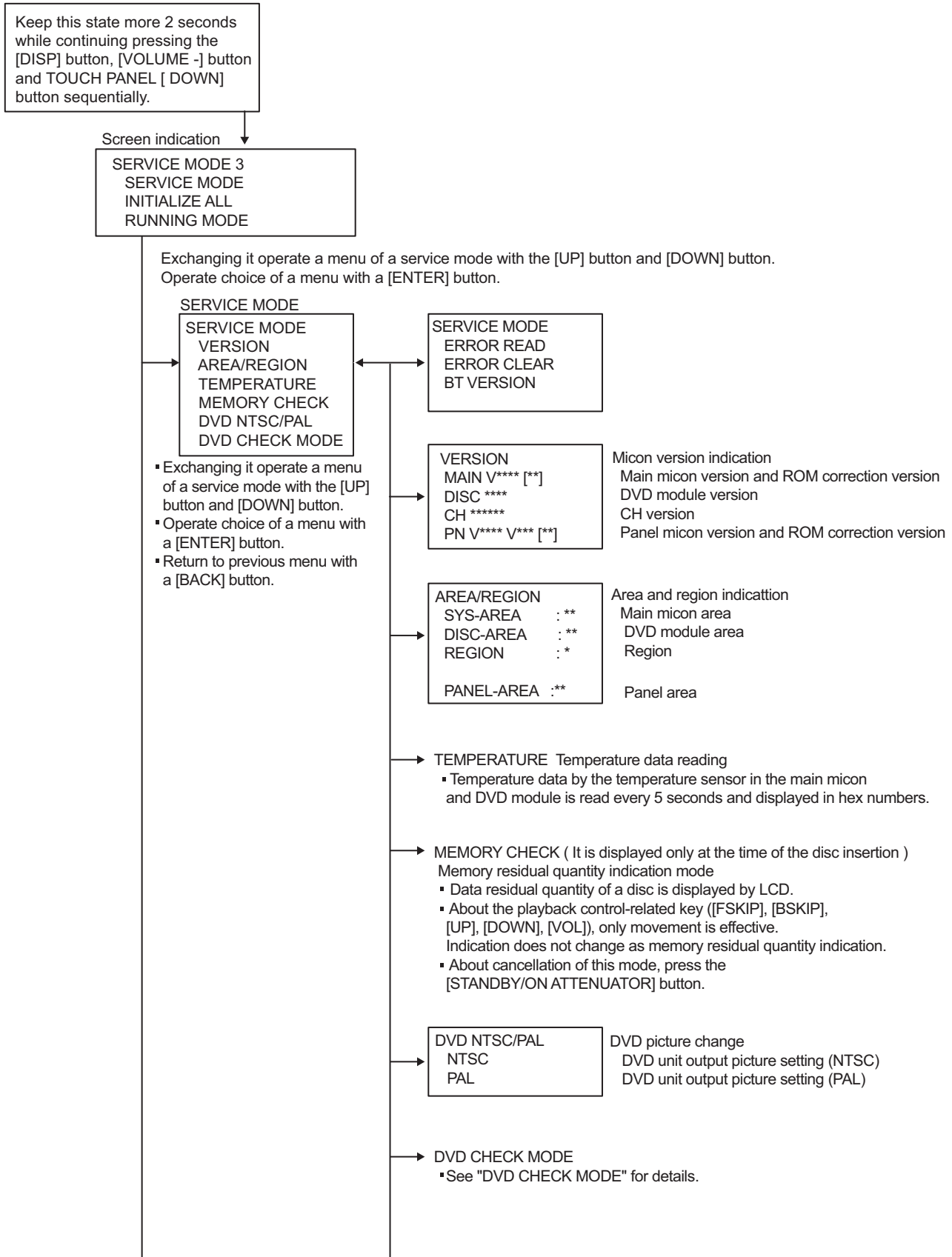
*2 : Forced EJECT movement

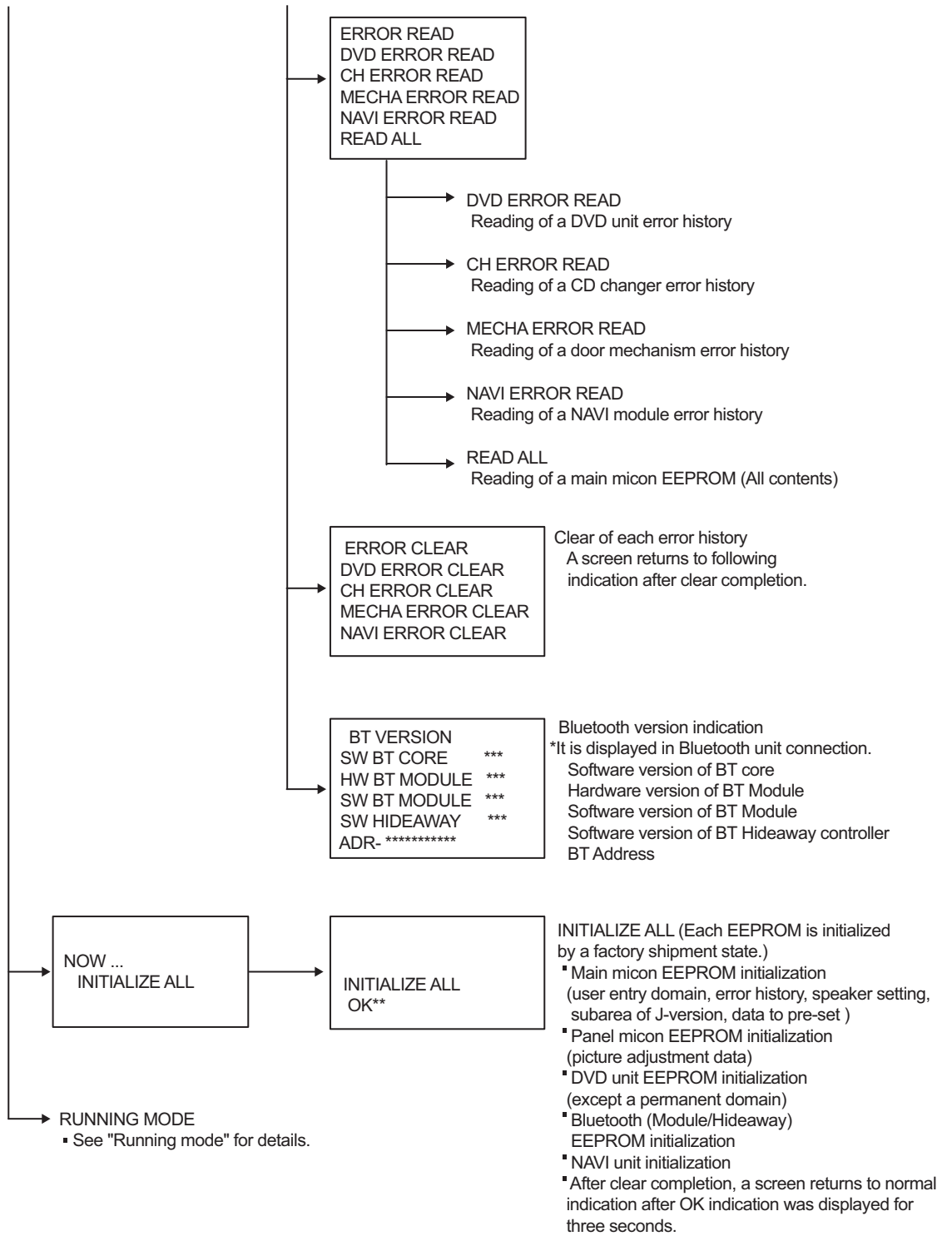
A screen becomes normal indication after an ENTER button was pushed.

4.6.2 Service mode 2

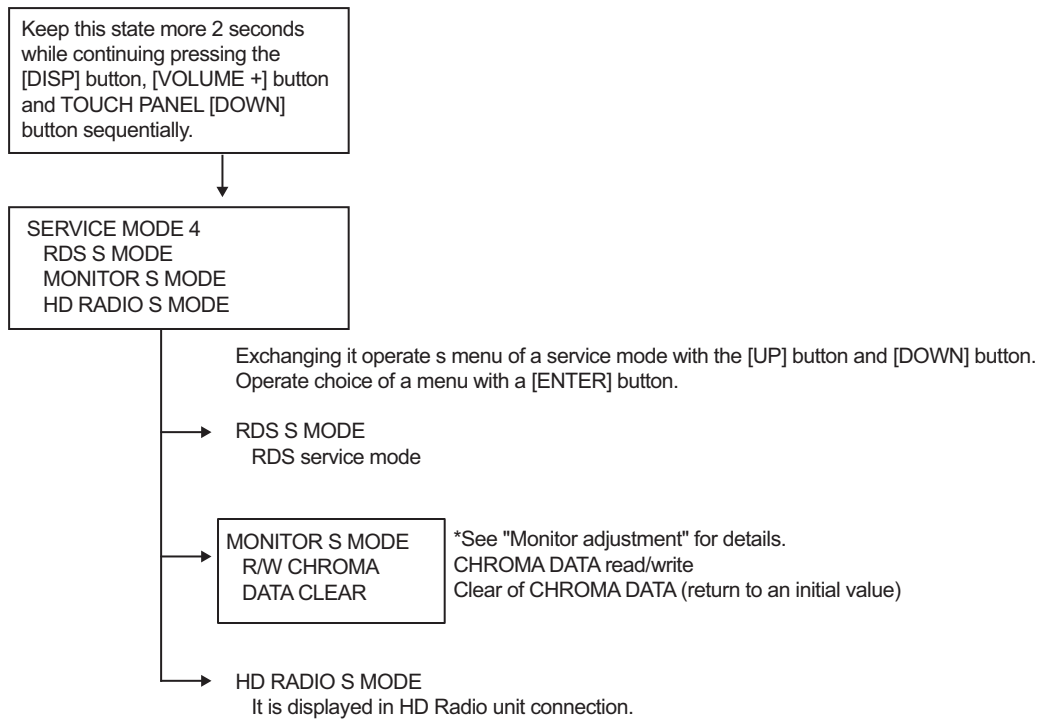


4.6.3 Service mode 3

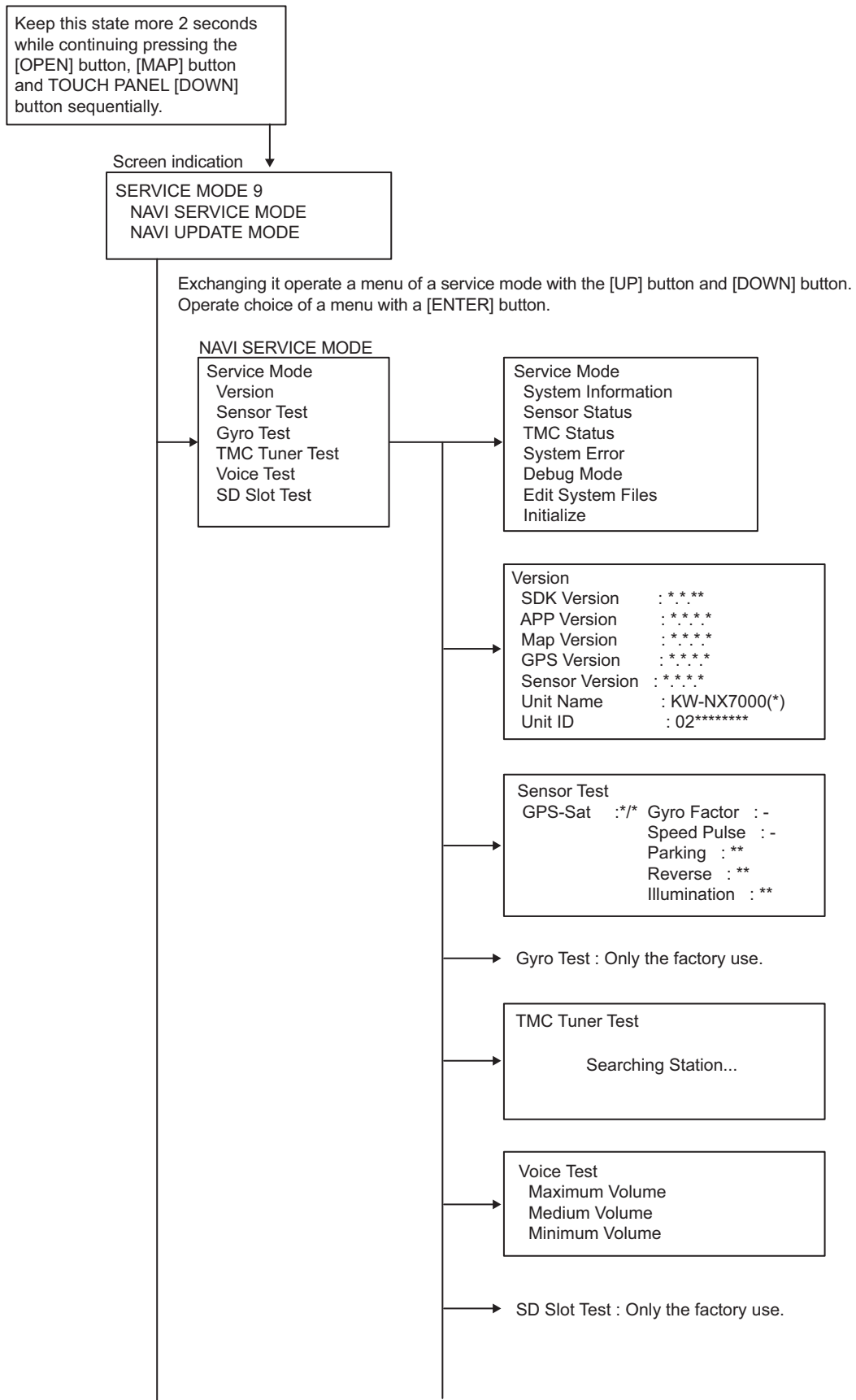


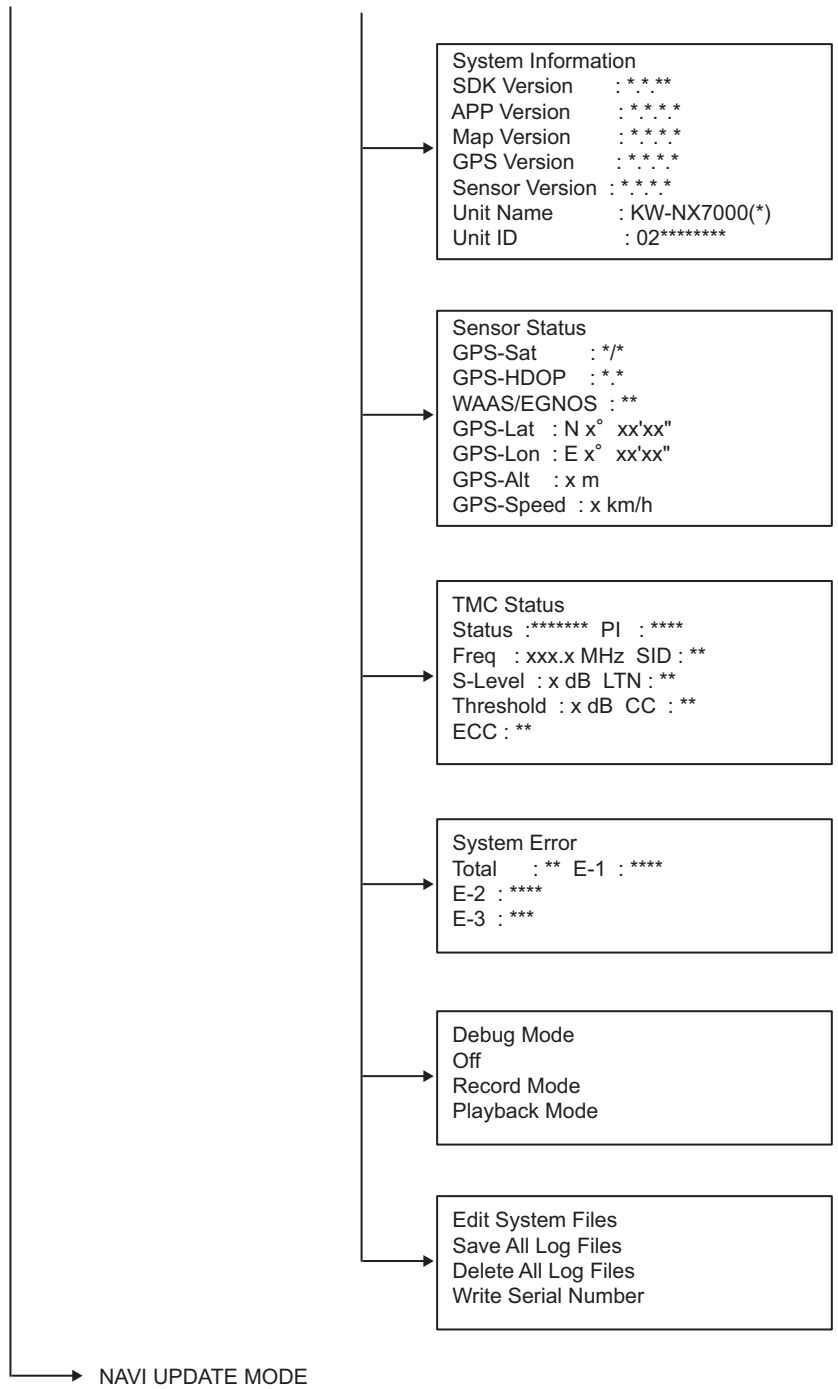


4.6.4 Service mode 4



4.6.5 Service mode 9





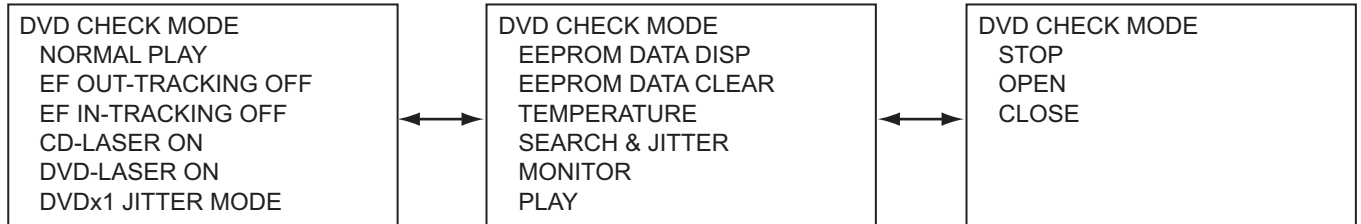
4.7 write serial number

Note:

There is need to input a serial number into when changed NAVI PWB board with J version.

- (1) Set to Service Mode 9.
- (2) Choose an NAVI Service Mode.
- (3) Choose an Edit System Files.
- (4) Choose a Write Serial Number.
- (5) Input 8 columns of serial number.
- (6) Push OK.

4.8 DVD check mode



Exchanging it operate a menu of a service mode with the [UP] button and [DOWN] button.
Operate choice of a menu with a [PLAY/PAUSE] button.

Command	Mechanism unit operation	Indication contents
NORMAL PLAY	Start at normal speed (After start, jitter is measured by an inner position.)	Laser current value, jitter value
EF OUT-TRACKING OFF	Tracking off the outermost position of CD	For EF phase error
EF IN-TRACKING OFF	Tracking off the innermost position of CD	For EF phase error
CD-LASER ON	CD_LD lights and laser current is displayed.	Laser current value, jitter value
DVD-LASER ON	DVD_LD lights and laser current is displayed	Laser current value, jitter value
DVDx1 JITTER MODE	DVD x1 jitter measuring mode (for use in mechanism adjustment)	Laser current value, jitter value
EEPROM DATA DISP	Contents of EEPROM is displayed.	EEPROM address EEPROM contents
EEPROM DATA CLEAR	Contents of EEPROM is initialized.	EEPROM address EEPROM contents
TEMPERATURE	Temperature indication	Temperature is displayed in hex numbers.
SEARCH & JITTER	The search and jitter measurement to an appointed position of DVD.	Position measured with VT-501 jitter value
MONITOR	Monitor terminal setting	
PLAY	DVD x1 stopped start (After start, jitter is measured by an inner position.)	Not displayed.
STOP	Disc stopped, LD-OFF	Not displayed.
OPEN	OPEN	Not displayed.
CLOSE	CLOSE	Not displayed.

4.9 Error code tables

Mechanism error code

Error contents	Details	Error code	Detailed error code
Disc loading error ③ D1 time out		09	0013
Eject error ③ B1 time out ④ C1 time out		01 01	0023 0024
Error in loading wait	Loading of a running mode Disc was pulled out in a wait.	09	0031

Disc error code

Error contents	Details	Error code	Detailed error code
TOC read error	TOC lead movement of a CD is not completed.	84	0059
First track access error	Even if TOC reading passes after the end with CD running mode for 30 seconds, the first track access is not finished.	80	0060
Last track access error	Even if first track passes after the end with CD running mode for 30 seconds, the last track access is not finished.	80	0061
T1 access error	Even if T1 access passes in a DVD running mode for 30 seconds, it is not finished.	80	0069
T12 access error	Even if T12 access passes in a DVD running mode for 30 seconds, it is not finished.	80	0070
T24 access error	Even if T24 access passes in a DVD running mode for 30 seconds, it is not finished.	80	0071
Read-in area read error	Read-in area read operation of DVD is not completed.	84	0072
DVD L1 layer adjustment error	Adjustment of L1 layer of DVD is not finished normally. (including focus jump failure)	80	0074
DVD L0 layer adjustment error	Adjustment of L0 layer of DVD is not finished normally. (including focus jump failure)	80	0075
NO DISC judgment	Judgment without disc	80	0090
It is NO DISC by start failure	Start is impossible	80	0091
It is stopped by playback inability.	Stop in running mode playback	80	0093
Logic format NG	Logic format analysis inability or non-correspondence logic format	80	0094
Seek access error	It cannot arrive at an aim address even if it passes for 15 seconds.	80	0095

Error codes of panel mechanism

* As for two columns of the beginning of the error code, as for error contents, two columns of middle, number of the pulse counts, last two columns are a purpose position and movement directions.

Error contents	code
Time out	OB
Position error by the external force	OC
Abnormal voltage ①	F3
Abnormal voltage ②	F5
Abnormal voltage ③	F7
Abnormal voltage ④	F8

When assumed last two columns XY;, as for X, as for purpose position, Y, is a movement direction.

Purpose position	X
CLOSE	1
5 degrees	2
10 degrees	3
15 degrees	4
20 degree	5
25 degrees	6
30 degrees	7
OPEN	8

Movement direction	Y
Open direction	0
Close direction	1

Detail	Error code
It is time-out during movement to the closed position.	0B**11
It is time-out during 5 degrees tilt movement.(open direction)	0B**20
It is time-out during 5 degrees tilt movement.(close direction)	0B**21
It is time-out during 10 degrees tilt movement.(open direction)	0B**30
It is time-out during 10 degrees tilt movement.(close direction)	0B**31
It is time-out during 15 degrees tilt movement.(open direction)	0B**40
It is time-out during 15 degrees tilt movement.(close direction)	0B**41
It is time-out during 20 degrees tilt movement.(open direction)	0B**50
It is time-out during 20 degrees tilt movement.(close direction)	0B**51
It is time-out during 25 degrees tilt movement.(open direction)	0B**60
It is time-out during 25 degrees tilt movement.(close direction)	0B**61
It is time-out during 30 degrees tilt movement.(open direction)	0B**70
It is time-out during 30 degrees tilt movement.(close direction)	0B**71
It is time-out during movement to the open position.	0B**80
It is position error during close position stop.	0C0011
It is position error during 5 degree tilt position stop.	0C0020
It is position error during 10 degree tilt position stop.	0C0030
It is position error during 15 degree tilt position stop.	0C0040
It is position error during 20 degree tilt position stop.	0C0050
It is position error during 25 degree tilt position stop.	0C0060
It is position error during 30 degree tilt position stop.	0C0070
It is position error during open position stop.	0C0080
Detect abnormal voltage ①	F3**XY
Detect abnormal voltage ②	F5**XY
Detect abnormal voltage ③	F7**XY
Detect abnormal voltage ④	F8**XY

Note: "***" of the above error code is the number of the pulse counts at the time of the error outbreak.

4.10 Running mode

Indication	Explanation	Operation contents of 1 cycle	In mecha error	In disc error
RUNNING1 MECHA	Door mecha running 1	Panel close ↔ Panel open	-	-
RUNNING2 MECHA	Door mecha running 2	Panel close → 5 degrees → 10 degrees → 15 degrees → 20 degrees 25 degrees → 30 degrees → Panel open	-	-
RUNNING 3 MECHA	Door mecha running 3	Panel close → 5 degrees → → 30 degrees → → 5 degrees → Panel close	-	-
RUNNING4 DVD	DVD+Door mecha running1	Loading → Eject → Wait for 5 seconds+Door open/close	Stop	-
RUNNING5 DVD	DVD+Door mecha running2	Loading → Eject → Wait for 5 seconds+Door open/close	Retry	-
RUNNING6 DVD	DVD+Door mecha running3	Loading → Playback → Eject → Wait for 5 seconds+Door open/close	Stop	Stop
RUNNING7 DVD	DVD+Door mecha running4	Loading → Playback → Eject → Wait for 5 seconds+Door open/close	Retry	Stop
RUNNING8 DVD	DVD+Door mecha running5	Loading → Playback → Eject → Wait for 5 seconds+Door open/close	Stop	Retry
RUNNING9 DVD	DVD+Door mecha running6	Loading → Playback → Eject → Wait for 5 seconds+Door open/close	Retry	Retry

* Cancellation of running1,2 and 3 : Press the [EJECT] key

* In running 1,2 and 3 cancellation, a door does not stop at the position and moves to a panel position.

* Cancellation of running4 to 9 : Press the [POWER] key

* The number of count and an error cord are displayed in running.

Playback contents in a running mode

- CD

The first track is played for 30 seconds. → The last track is played for 30 seconds.

(The last track is played in the case of less than till the last for 30 seconds.)

- DVD

2layer disc (Pit disc)

Title 1 (the L0 layer internal circumference) is played for 30 seconds.

→ Title 12 (L0 layer circumference) is played for 30 seconds.

→ Title 24 (L1layer internal circumference) is played for 30 seconds.

- 2layer disc (Recordable disc)

Title 1 (the L0 layer internal circumference) is played for 30 seconds.

→ Title 13 (L0 layer circumference) is played for 30 seconds.

→ Title 24 (L1layer internal circumference) is played for 30 seconds.

- 1layer disc

First chapter of title 1 is played for 30 seconds. → The last chapter of title 1 is played for 30 seconds.

4.11 Monitor adjustment

* When adjusting, switch on the main unit and insert a test disc (VT-501). And play the test disc and pause it.

1. Set the service mode 4.
2. Exchanging it operate a menu of a service mode with the [UP] button and [DOWN] button.
3. Change data with the [B.SKIP]/[F.SKIP] buttons.
4. Write data with a [ENTER] button.

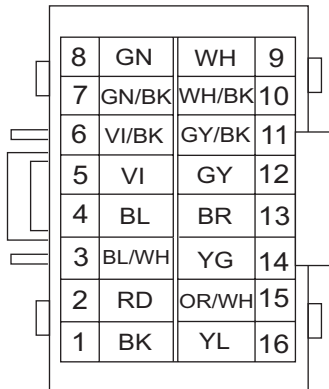
Indication	Minimum value	Maximum value	Initial value	Reference register value		Detail
00001	00000	00001	00000	00000	Fix	Color amplitude revision ON/OFF
00002	00000	00003	00000	00000	Fix	Color amplitude revision CAS
00003	00000	00063	00000	00000	Fix	Color amplitude revision APC
00004	00000	00003	00000	00000	Fix	Color amplitude revision CUS
00005	00000	00063	00000	00000	Fix	Color amplitude revision APU
00006	00000	00001	00000	00000	Fix	Black level extension ON/OFF
00007	00000	00001	00000	00000	Fix	Black level extension FUNCTION
00008	00000	00511	00000	00000	Fix	Black level extension START POINT
00009	00000	00511	00000	00000	Fix	Black level extension OFFSET
00010	00000	00255	00128	00128	Adjust	Enhancer revision effect adjustment (NTSC)
00011	00000	00255	00128	00128	Adjust	Enhancer revision effect adjustment (PAL)
00012	00000	00255	00064	00064	Adjust	Limiter of the horizontal enhancer (NTSC)
00013	00000	00255	00068	00068	Adjust	Limiter of the horizontal enhancer (PAL)
00014	00000	00255	00000	00000	Adjust	Filter choice of the horizontal enhancer (NTSC)
00015	00000	00255	00000	00000	Adjust	Filter choice of the horizontal enhancer (PAL)
00016	00000	00003	00001	00001	Adjust	Tap change of the brightness outline revision (NTSC)
00017	00000	00003	00001	00001	Adjust	Tap change of the brightness outline revision (PAL)
00018	00000	00127	00000	00000	Adjust	Adjustment of the quantity of brightness outline core ring (NTSC)
00019	00000	00127	00000	00000	Adjust	Adjustment of the quantity of brightness outline core ring (PAL)
00020	00000	00006	00000	00000	Adjust	Adjustment of the brightness outline revision gain (NTSC)
00021	00000	00006	00000	00000	Adjust	Adjustment of the brightness outline revision gain (PAL)
00022	00000	00255	00125	00125	Fix	Change in TINT of the whole picture (NTSC)
00023	00000	00255	00125	00125	Fix	Change in TINT of the whole picture (PAL)
00024	00000	00255	00090	00090	Fix	Change with the deepness of the color of the whole picture (NTSC)
00025	00000	00255	00100	00100	Fix	Change with the deepness of the color of the whole picture (PAL)
00026	00000	00255	00131	00131	Adjust	Tint adjustment (NTSC)
00027	00000	00255	00131	00131	Adjust	Tint adjustment (PAL)
00028	00000	00255	00051	00051	Adjust	Color adjustment (NTSC)
00029	00000	00255	00051	00051	Adjust	Color adjustment (PAL)
00030	00000	00511	00094	00094	Fix	Set the offset DC of the input video signal (NTSC)
00031	00000	00511	00094	00094	Fix	Set the offset DC of the input video signal (PAL)
00032	00000	00001	00000	00000	Fix	Quantity of transmission revision of the YUV DC
00033	00000	00255	00016	00016	Fix	Quantity of transmission revision of the YUV DC
00034	00000	01023	00320	00320	Adjust	Contrast adjustment between the black - white (NTSC)
00035	00000	01023	00322	00322	Adjust	Contrast adjustment between the black - white (PAL)
00036	00000	00511	00348	00348	Fix	Conversion coefficients from YUV to RGB (PRCL)
00037	00000	00255	00210	00210	Fix	Conversion coefficients from YUV to RGB (PBCL)
00038	00000	00255	00210	00210	Fix	Conversion coefficients from YUV to RGB (YCL)
00039	00000	00255	00158	00158	Fix	Conversion coefficients from YUV to RGB (BCL)
00040	00000	00511	00267	00267	Fix	Conversion coefficients from YUV to RGB (RCL)
00041	00000	00001	00001	00001	Fix	Noise shaving (NTSC)
00042	00000	00001	00001	00001	Fix	Noise shaving (PAL)
00043	00000	00127	00029	00029	Adjust	Black level adjustment (NTSC)
00044	00000	00127	00028	00028	Adjust	Black level adjustment (PAL)
00045	00000	00127	00058	00058	Fix	Gain setting of Red signal (NTSC)
00046	00000	00127	00059	00057	Fix	Gain setting of Red signal (PAL)
00047	00000	00127	00057	00057	Fix	Gain setting of Green signal (NTSC)
00048	00000	00127	00059	00056	Fix	Gain setting of Green signal (PAL)
00049	00000	00127	00054	00054	Fix	Gain setting of Blue signal (NTSC)
00050	00000	00127	00053	00053	Fix	Gain setting of Blue signal (PAL)
00051	00000	00127	00061	00061	Fix	Set the cut-off of the Red signal (NTSC)
00052	00000	00127	00061	00061	Fix	Set the cut-off of the Red signal (PAL)
00053	00000	00127	00061	00061	Fix	Set the cut-off of the Green signal (NTSC)
00054	00000	00127	00061	00061	Fix	Set the cut-off of the Green signal (PAL)
00055	00000	00127	00061	00061	Fix	Set the cut-off of the Blue signal (NTSC)

Indication	Minimum value	Maximum value	Initial value	Reference register value		Detail
00056	00000	00127	00061	00061	Fix	Set the cut-off of the Blue signal (PAL)
00057	00000	00001	00001	00001	Fix	ON/OFF change of the gamma revision
00058	00000	00255	00007	00007	Fix	Adjust 1 gamma revision point position of a Red signal
00059	00000	00255	00015	00015	Fix	Adjust 2 gamma revision point position of a Red signal
00060	00000	00255	00023	00023	Fix	Adjust 3 gamma revision point position of a Red signal
00061	00000	00255	00031	00031	Fix	Adjust 4 gamma revision point position of a Red signal
00062	00000	00255	00039	00039	Fix	Adjust 5 gamma revision point position of a Red signal
00063	00000	00255	00047	00047	Fix	Adjust 6 gamma revision point position of a Red signal
00064	00000	00255	00055	00055	Fix	Adjust 7 gamma revision point position of a Red signal
00065	00000	00255	00017	00017	Fix	Appoint gamma revision gain 1 of the Red signal
00066	00000	00255	00031	00031	Fix	Appoint gamma revision gain 2 of the Red signal
00067	00000	00255	00032	00032	Fix	Appoint gamma revision gain 3 of the Red signal
00068	00000	00255	00032	00032	Fix	Appoint gamma revision gain 4 of the Red signal
00069	00000	00255	00036	00036	Fix	Appoint gamma revision gain 5 of the Red signal
00070	00000	00255	00042	00042	Fix	Appoint gamma revision gain 6 of the Red signal
00071	00000	00255	00058	00058	Fix	Appoint gamma revision gain 7 of the Red signal
00072	00000	00255	00088	00088	Fix	Appoint gamma revision gain 8 of the Red signal
00073	00000	00255	00007	00007	Fix	Adjust 1 gamma revision point position of a Green signal
00074	00000	00255	00015	00015	Fix	Adjust 2 gamma revision point position of a Green signal
00075	00000	00255	00023	00023	Fix	Adjust 3 gamma revision point position of a Green signal
00076	00000	00255	00031	00031	Fix	Adjust 4 gamma revision point position of a Green signal
00077	00000	00255	00039	00039	Fix	Adjust 5 gamma revision point position of a Green signal
00078	00000	00255	00047	00047	Fix	Adjust 6 gamma revision point position of a Green signal
00079	00000	00255	00055	00055	Fix	Adjust 7 gamma revision point position of a Green signal
00080	00000	00255	00017	00017	Fix	Appoint gamma revision gain 1 of the Green signal
00081	00000	00255	00031	00031	Fix	Appoint gamma revision gain 2 of the Green signal
00082	00000	00255	00032	00032	Fix	Appoint gamma revision gain 3 of the Green signal
00083	00000	00255	00032	00032	Fix	Appoint gamma revision gain 4 of the Green signal
00084	00000	00255	00036	00036	Fix	Appoint gamma revision gain 5 of the Green signal
00085	00000	00255	00042	00042	Fix	Appoint gamma revision gain 6 of the Green signal
00086	00000	00255	00058	00058	Fix	Appoint gamma revision gain 7 of the Green signal
00087	00000	00255	00088	00088	Fix	Appoint gamma revision gain 8 of the Green signal
00088	00000	00255	00007	00007	Fix	Adjust 1 gamma revision point position of a Blue signal
00089	00000	00255	00015	00015	Fix	Adjust 2 gamma revision point position of a Blue signal
00090	00000	00255	00023	00023	Fix	Adjust 3 gamma revision point position of a Blue signal
00091	00000	00255	00031	00031	Fix	Adjust 4 gamma revision point position of a Blue signal
00092	00000	00255	00039	00039	Fix	Adjust 5 gamma revision point position of a Blue signal
00093	00000	00255	00047	00047	Fix	Adjust 6 gamma revision point position of a Blue signal
00094	00000	00255	00055	00055	Fix	Adjust 7 gamma revision point position of a Blue signal
00095	00000	00255	00017	00017	Fix	Appoint gamma revision gain 1 of the Blue signal
00096	00000	00255	00031	00031	Fix	Appoint gamma revision gain 2 of the Blue signal
00097	00000	00255	00032	00032	Fix	Appoint gamma revision gain 3 of the Blue signal
00098	00000	00255	00032	00032	Fix	Appoint gamma revision gain 4 of the Blue signal
00099	00000	00255	00036	00036	Fix	Appoint gamma revision gain 5 of the Blue signal
00100	00000	00255	00042	00042	Fix	Appoint gamma revision gain 6 of the Blue signal
00101	00000	00255	00058	00058	Fix	Appoint gamma revision gain 7 of the Blue signal
00102	00000	00255	00088	00088	Fix	Appoint gamma revision gain 8 of the Blue signal
00103	00000	00255	00060	00060	Adjust	Adjust the horizontal indication point of the picture (NTSC)
00104	00000	00255	00060	00060	Adjust	Adjust the horizontal indication point of the picture (PAL)
00105	00000	00255	00010	00010	Adjust	Adjust the vertical indication point of the picture (NTSC)
00106	00000	00255	00010	00010	Adjust	Adjust the vertical indication point of the picture (PAL)
00107	00000	00127	00042	00042	Fix	AD clock gain adjustment (NTSC)
00108	00000	00127	00042	00042	Fix	AD clock gain adjustment (PAL)
00109	00000	00007	00001	00001	Fix	Noise reduction of the Y signal (NTSC)
00110	00000	00007	00001	00001	Fix	Noise reduction of the Y signal (PAL)
00111	00000	00003	00032	00032	Fix	Choose a YC separation filter (NTSC)
00112	00000	00003	00048	00048	Fix	Choose a YC separation filter (PAL)
00113	00000	00007	00000	00000	Fix	Color pulling out filter setting (NTSC)
00114	00000	00007	00000	00000	Fix	Color pulling out filter setting (PAL)
00115	00000	00007	00001	00001	Adjust	Choose com movement mode and color BPF (NTSC)
00116	00000	00007	00004	00004	Adjust	Choose com movement mode and color BPF (PAL)
00117	00000	01023	00180	00180	Fix	Vertical dot cancellation setting (NTSC)
00118	00000	01023	00180	00180	Fix	Vertical dot cancellation setting (PAL)
00119	00000	00063	00001	00001	Adjust	Noise reduction setting (NTSC)
00120	00000	00063	00001	00001	Adjust	Noise reduction setting (PAL)

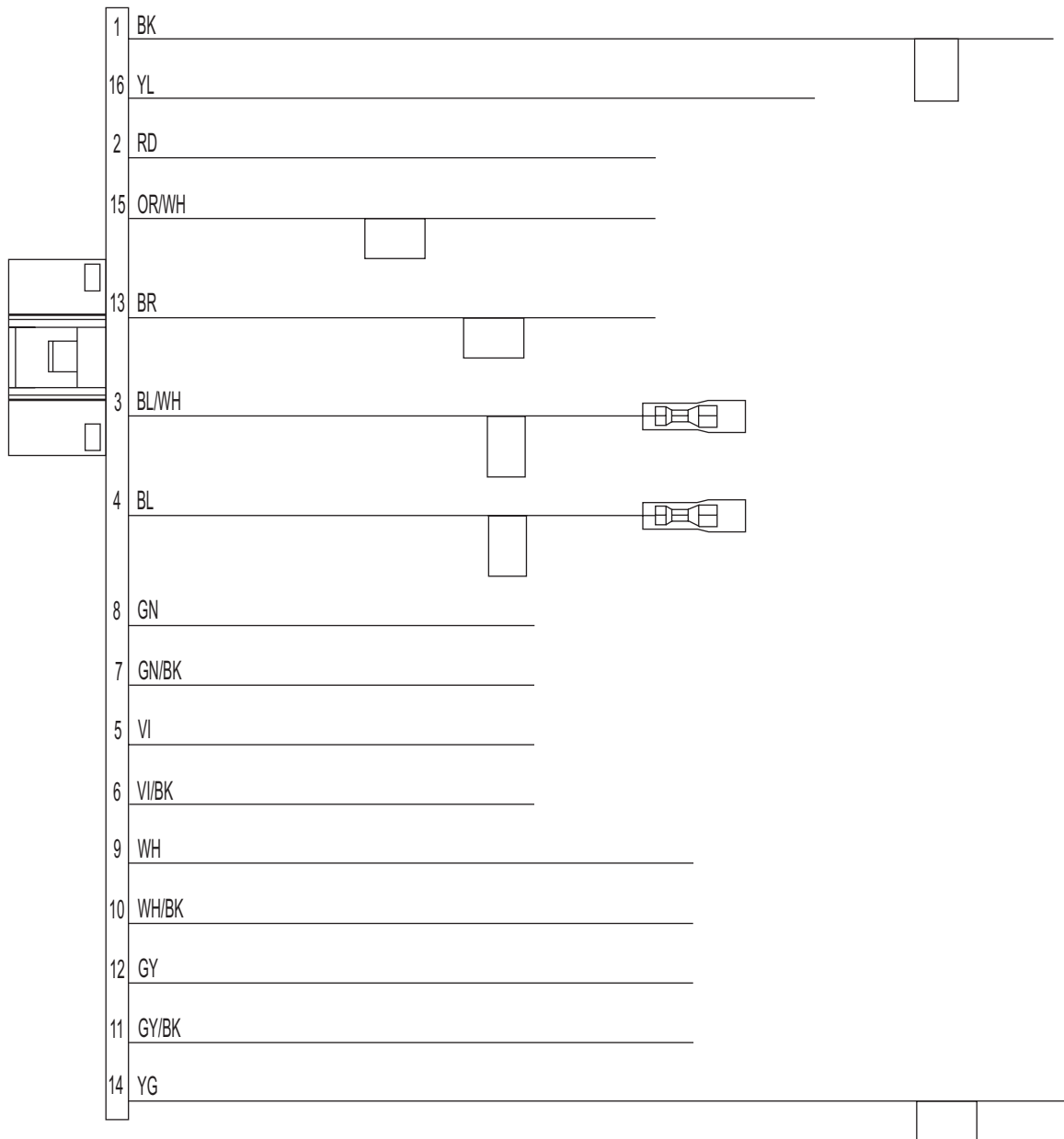
Indication	Minimum value	Maximum value	Initial value	Reference register value		Detail
00121	00000	01023	00338	00338	Fix	Quantity of brightness adjustment setting (NTSC)
00122	00000	01023	00338	00338	Fix	Quantity of brightness adjustment setting (PAL)
00123	00000	00255	00168	00168	Fix	Brightness gain adjustment (NTSC)
00124	00000	00255	00168	00168	Fix	Brightness gain adjustment (PAL)
00125	00000	00511	00140	00140	Adjust	Color signal output level setting (NTSC)
00126	00000	00511	00096	00096	Adjust	Color signal output level setting (PAL)
00127	00000	00006	00004	00004	Fix	ACC movement mode setting
00128	00000	00255	00033	00033	Fix	C signal filter characteristic setting of the Y/C separation part (NTSC)
00129	00000	00255	00033	00033	Fix	C signal filter characteristic setting of the Y/C separation part (PAL)
00130	00000	16383	02464	02464	Fix	Amplitude killer off level setting
00131	00000	16383	02472	02472	Fix	Amplitude killer on level setting
00132	00000	00127	00071	00071	Fix	Clamp DC level adjustment setting
00133	00000	00015	00015	00015	Fix	Clamp speed adjustment setting
00134	00000	00063	00049	00049	Fix	Noise filter band setting of horizontal synchronization signal and vertical synchronizing signal (NTSC)
00135	00000	00063	00049	00049	Fix	Noise filter band setting of horizontal synchronization signal and vertical synchronizing signal (PAL)
00136	00000	65535	14976	14976	Fix	Horizontal phase comparison gain setting (NTSC)
00137	00000	65535	14976	14976	Fix	Horizontal phase comparison gain setting (PAL)
00138	00000	00063	00055	00055	Fix	Horizontal loop filter setting 1
00139	00000	00015	00010	00010	Fix	Horizontal loop filter setting 2
00140	00000	00015	00007	00007	Fix	Horizontal loop filter setting 3
00141	00000	00015	00001	00001	Fix	Synchronization separation burst clock setting (NTSC)
00142	00000	00015	00001	00001	Fix	Synchronization separation burst clock setting (PAL)
00143	00000	00255	00252	00252	Fix	Free run center value setting of horizontal synchronization signal (NTSC)
00144	00000	00255	00252	00252	Fix	Free run center value setting of horizontal synchronization signal (PAL)
00145	00000	00511	00326	00326	Fix	DOKIDET 01
00146	00000	00511	00082	00082	Fix	DOKIDET 02
00147	00000	00511	00033	00033	Fix	DOKIDET 03
00148	00000	00026	00000	00000	Fix	Unused
00149	00000	00026	00000	00000	Fix	Unused
00150	00000	00255	00128	00128	Fix	Subcarrier center frequency setting (NTSC)
00151	00000	00255	00000	00000	Fix	Unused
00152	00000	00255	00128	00128	Fix	Subcarrier center frequency setting (PAL)
00153	00000	00255	00000	00000	Fix	Unused
00154	00000	00255	00018	00018	Adjust	Coordinate the delay of the C signal with a Y signal (NTSC)
00155	00000	00255	00023	00023	Adjust	Coordinate the delay of the C signal with a Y signal (PAL)
00156	00000	00255	00105	00098	Adjust	Coordinate the VCOM amplitude of the LCD (NTSC)
00157	00000	00255	00104	00096	Adjust	Coordinate the VCOM amplitude of the LCD (PAL)
00158	00000	00255	00051	00051	Adjust	Coordinate VCOM center value of the LCD (NTSC)
00159	00000	00255	00051	00051	Adjust	Coordinate VCOM center value of the LCD (PAL)
00160	00000	00009	00004	00004	Fix	Set a variable range of the indication VSYNC frequency (NTSC)
00161	00000	00009	00006	00006	Fix	Set a variable range of the indication VSYNC frequency (PAL)
00162	00040	00110	00090	00090	Fix	Set time when indication VSYNC frequency changes (NTSC)
00163	00040	00110	00060	00060	Fix	Set time when indication VSYNC frequency changes (PAL)
00164	00000	00007	00000	00000	Fix	CLAMP MODE (NTSC)
00165	00000	00007	00000	00000	Fix	CLAMP MODE (PAL)

SECTION 5 TROUBLESHOOTING

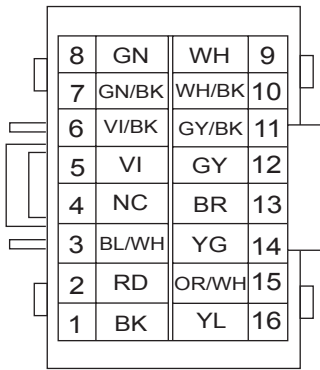
5.1 16 PIN CORD DIAGRAM (for J)



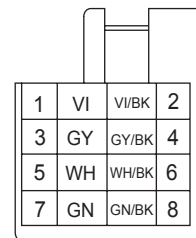
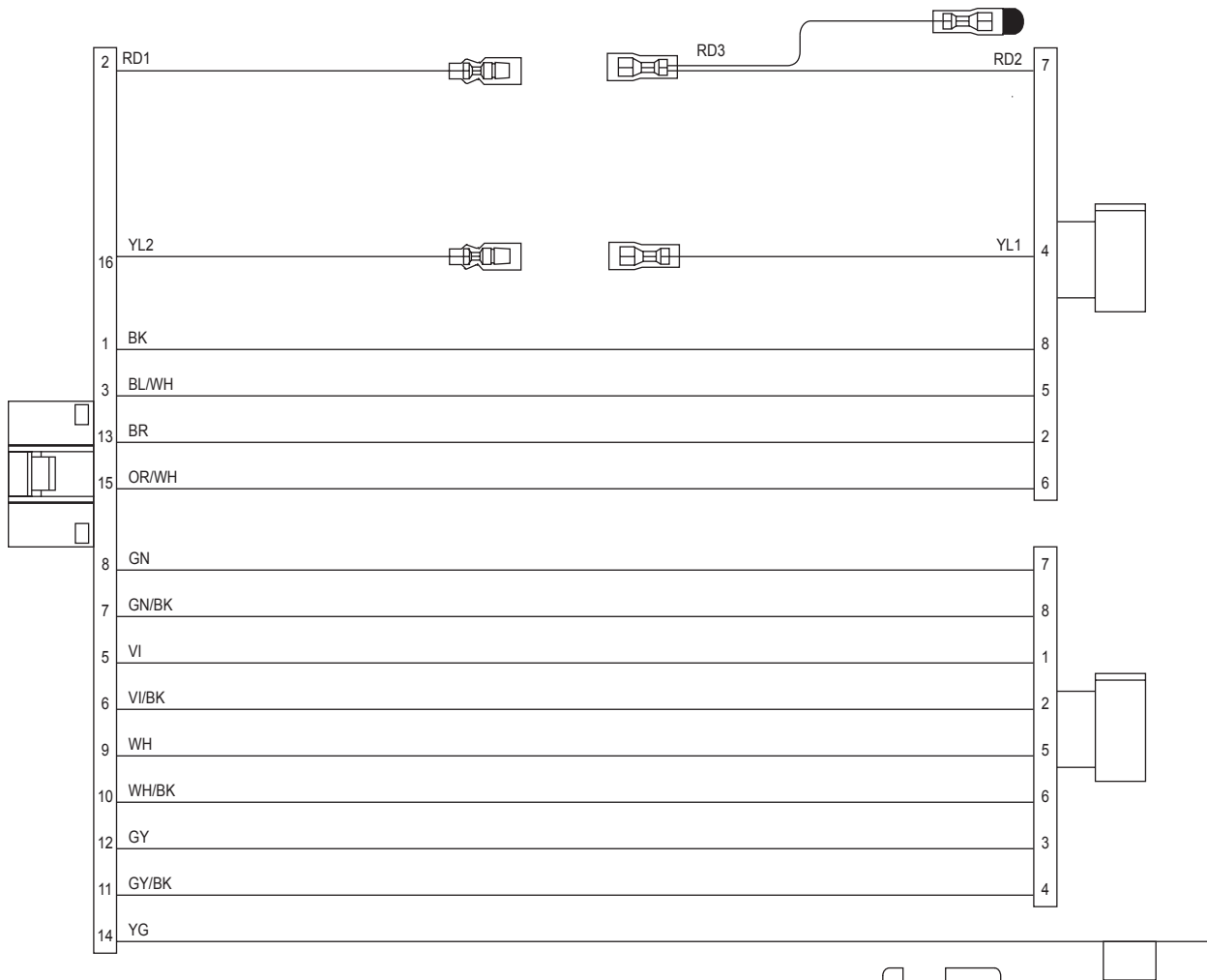
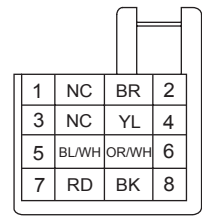
BK	Black	GY	Gray
RD	Red	BR	Brown
BL	Blue	YG	YellowGreen
WH	White	OR	Orange
VI	Violet	YL	Yellow
GN	Green		

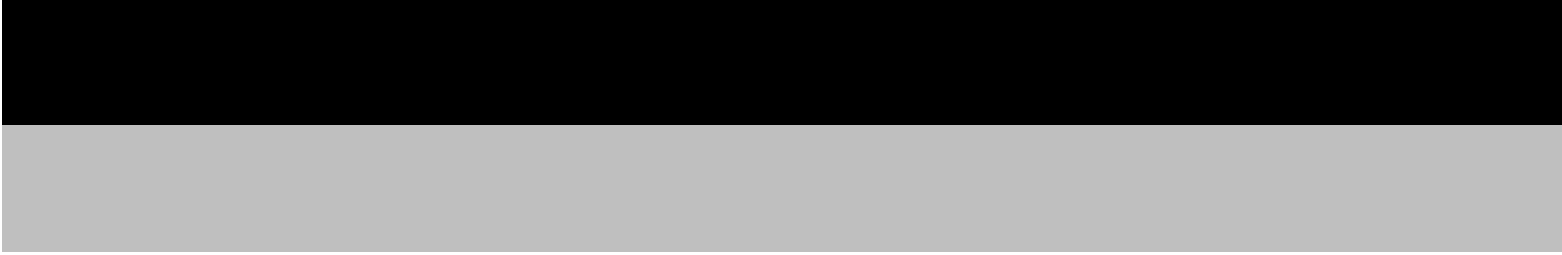


5.2 16 PIN CORD DIAGRAM (for E, EE)



BK	Black	GY	Gray
RD	Red	BR	Brown
BL	Blue	YG	YellowGreen
WH	White	OR	Orange
VI	Violet	YL	Yellow
GN	Green		





Victor Company of Japan, Limited
Mobile Entertainment Division 10-1,1chome,Ohwatari-machi,Maebashi-city,371-8543,Japan

(No.MA427<Rev.001>)

Printed in Japan
VPT

PARTS LIST

KW-NX7000J,KW-NX7000E,KW-NX7000EE

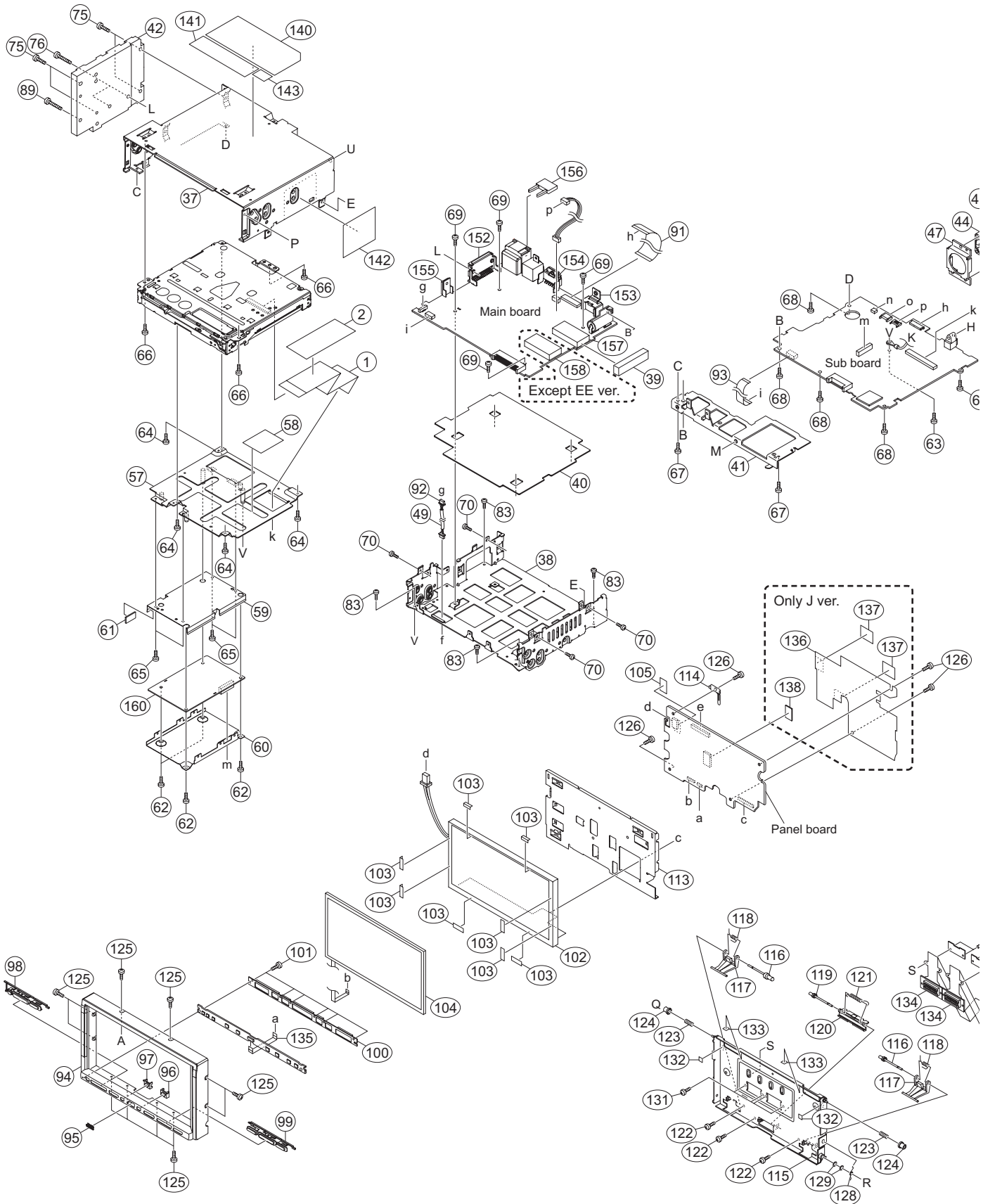
* All printed circuit boards and its assemblies are not available as service parts.

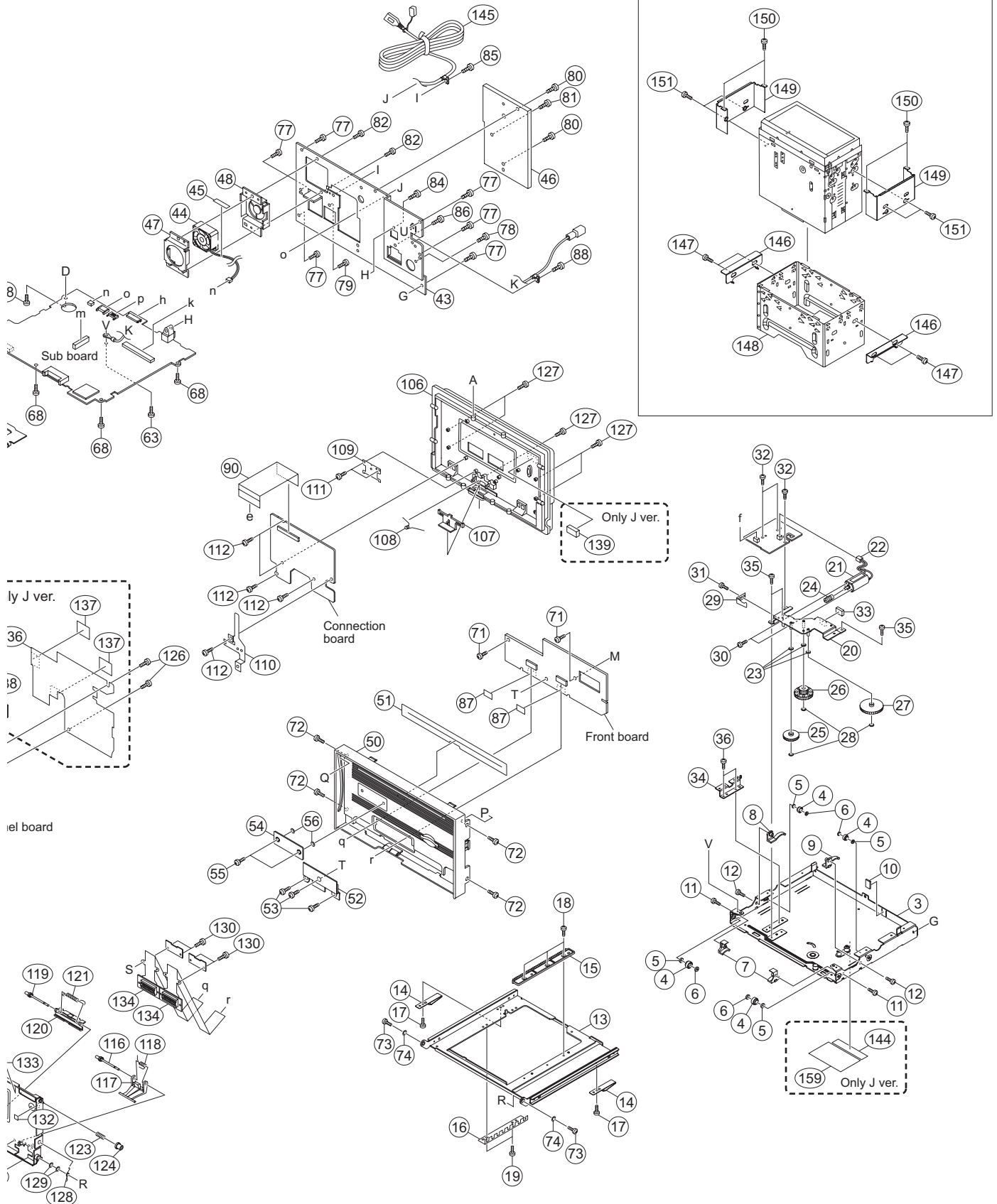
- Contents -

Exploded view of general assembly and parts list (Block No.M1)	3- 2
DVD mechanism assembly and parts list (Block No.MJ)	3- 8
Electrical parts list (Block No.01~05)	3-10
Packing materials and accessories parts list (Block No.M3)	3-26

Exploded view of general assembly and parts list

Block No. M 1 M M





The parts without symbol number are not service.

General Assembly

Block No. [M][1][M][M]

△	Symbol No.	Part No.	Part Name	Description	Local
	1	QUQU05-6014AF-E	FFC WIRE	60pin 14cm	
	2	LV44494-005A	PROTECT SHEET		
	3	LV22458-002A	B CHASSIS ASSY		
	4	LV44666-003A	ROLLER(SLD)	(x4)	
	5	QYWFM315013	WASHER	5mm/3.1mm x 0.13mm(x4)	
	6	QYWDL164035	SLIT WASHER	4mm/1.6mm x 0.35mm(x4)	
	7	LV36940-002A	RAIL GUIDE	(x2)	
	8	LV37308-001A	GUIDE SPRING(L)		
	9	LV37309-001A	GUIDE SPRING(R)		
	10	LV40846-053A	SPACER(F)		
	11	QYSPSFT1745ZA	TAP SCREW	M1.7 x 4.5mm(x2)	
	12	QYSPSFT1745ZA	TAP SCREW	M1.7 x 4.5mm(x2)	
	13	LV36514-009A	DRIVE PLATE ASS		
	14	LV44453-004A	FRICTION SPRING	(x2)	
	15	LV36516-001A	RACK GEAR		
	16	LV36517-003A	PHOTO PLATE		
	17	LV44159-004A	MINI SCREW	(x2)	
	18	LV44159-004A	MINI SCREW	(x3)	
	19	LV44159-004A	MINI SCREW	(x2)	
	20	LV36509-002A	D.CHASSIS ASSY		
	21	QAR0378-001	MOTOR		
	22	WJM0460-001A-E	E-SI C WIRE C-F		
	23	QYWFM265013	WASHER	5mm/2.6mm x 0.13mm(x3)	
	24	LV44451-001A	WORM GEAR		
	25	LV36511-001A	SECOND GEAR		
	26	LV36512-001A	THIRD GEAR		
	27	LV36513-001A	FORTH GEAR		
	28	QYWDM215025	SLIT WASHER	5mm/2.1mm x 0.25mm(x3)	
	29	LV44452-001A	SPRING(WORM)		
	30	QYSPSPT2020ZA	SCREW	M2 x 2mm(x2)	
	31	LV44159-004A	MINI SCREW		
	32	LV44615-001A	SPECIAL SCREW	(x3)	
	33	LV40846-057A	SPACER (F)		
	34	LV36545-001A	PCB BKT		
	35	LV44159-004A	MINI SCREW	(x3)	
	36	LV44159-004A	MINI SCREW	(x2)	
	37	LV11516-004A	TOP CHASSIS		
	38	LV11517-002A	MID CHASSIS		
	39	LV44247-006A	SHIELD TIGHT		
	40	LV37302-003A	INSULATOR		
	41	LV22633-002A	FRONT PCB BKT		
	42	LV37304-005A	SIDE HEAT SINK		
	43	LV22636-004A	REAR BKT		
	44	QAR0455-001	COOLING FAN		
	45	LV40847-002A	SPACER		
	46	LV37305-001A	REAR HEAT SINK		
	47	LV37313-001A	FAN BKT(IN)		
	48	LV37314-002A	FAN BKT(OUT)		
	49	LV40847-016A	SPACER (H)		
	50	LV22644-014A	F CHASSIS ASSY		J
	50	LV22644-013A	F CHASSIS ASSY		E,EE
	51	LV45134-002A	BLIND		
	52	LV22638-002A	FPC GUIDE		
	53	QYSDST2006MA	TAP SCREW	M2 x 6mm(x3)	
	54	LV37928-002A	SD COVER		
	55	LV45081-001A	SPECIAL SCREW	(x2)	
	56	QYWDL164035	SLIT WASHER	4mm/1.6mm x 0.35mm(x2)	
	57	LV37927-001A	CPU BKT ASSY		
	58	LV40847-049A	SPACER(H)		
	59	LV22635-001A	NAVI SHIELD TOP		
	60	LV22634-001A	NAVI SHIELD BOT		
	61	LV44247-008A	SHIELD TIGHT		
	62	LV44615-001A	SPECIAL SCREW	(x4)	
	63	LV44615-001A	SPECIAL SCREW		
	64	LV44615-001A	SPECIAL SCREW	(x4)	
	65	LV44615-001A	SPECIAL SCREW	(x4)	
	66	LV44800-004A	SPECIAL SCREW	(x3)	
	67	LV44615-001A	SPECIAL SCREW	(x2)	
	68	LV44615-001A	SPECIAL SCREW	(x5)	
	69	LV44615-001A	SPECIAL SCREW	(x4)	
	70	LV41200-004A	SPECIAL SCREW	(x4)	
	71	LV44615-001A	SPECIAL SCREW	(x2)	
	72	LV43819-003A	SPECIAL SCREW	(x4)	
	73	LV44470-002A	SPECIAL SCREW	(x2)	

△	Symbol No.	Part No.	Part Name	Description	Local
	74	LV45039-001A	WAVE WASHER	(x2)	
	75	GE40377-003A	SPECIAL SCREW	(x4)	
	76	LV41200-007A	SPECIAL SCREW	(x2)	
	77	LV41200-004A	SPECIAL SCREW	(x6)	
	78	LV41200-004A	SPECIAL SCREW		
	79	LV41200-004A	SPECIAL SCREW		
	80	GE40377-003A	SPECIAL SCREW	(x2)	
	81	GE40377-003A	SPECIAL SCREW		
	82	LV41200-004A	SPECIAL SCREW	(x2)	
	83	LV44615-001A	SPECIAL SCREW	(x4)	
	84	LV41200-004A	SPECIAL SCREW		
	85	LV41200-004A	SPECIAL SCREW		
	86	QYSDSF2608ZA	TAP SCREW	M2.6 x 8mm	
	87	LV40848-085A	SPACER (P)	(x2)	
	88	LV41200-004A	SPECIAL SCREW		
	89	LV41200-007A	SPECIAL SCREW		
	90	QUQU05-6006AC-E	FFC WIRE	60pin 6cm	
	91	QUQU05-3005BC-E	FFC WIRE	30pin 5cm	
	92	QJJ060-060801-E	SIN CR C-C W		
	93	QUQU05-1405BC-E	FFC WIRE	14pin 5cm	
	94	LV11522-015A	FRONT PANEL		J
	94	LV11522-014A	FRONT PANEL		E,EE
	95	GE40347-001A	JVC BADGE		
	96	LV37930-002A	REMOTE LENS		
	97	LV37931-002A	REMOTE LENS L		
	98	LV22642-005A	BUTTON LEFT		
	99	LV22643-009A	BUTTON RIGHT		
	100	LV22641-001A	PCB COVER		
	101	LV44464-001A	SPECIAL SCREW	(x6)	
	102	QLD0545-001	LCD MODULE	LCD 1	
	103	LV40847-042A	SPACER(H)	(x8)	
	104	QAL1078-001	TOUCH PANEL		
	105	LV40848-073A	SPACER(P)		
	106	LV11521-001A	REAR COVER		
	107	LV37929-002A	D BUTTON		
	108	LV45035-001A	D BUTTON SPRING		
	109	LV37922-001A	D BUTTON COVER		
△	110	LV37923-001A	EARTH PLATE R		
	111	QYSDSF2005ZA	TAP SCREW	M2 x 5mm(x2)	
	112	QYSDSF2005ZA	TAP SCREW	M2 x 5mm(x5)	
△	113	LV37926-002A	PANEL BKT ASSY		
△	114	LV37924-001A	EARTH PLATE L		
	115	LV37925-001A	FRONT BKT ASSY		
	116	LV45031-001A	KICK SHAFT	(x2)	
	117	LV37971-001A	KICK LEVER	(x2)	
	118	LV45033-001A	KICK SPRING	(x2)	
	119	LV45032-001A	HOLD SHAFT		
	120	LV37972-001A	HOLD LEVER		
	121	LV45034-001A	HOLD SPRING		
	122	QYSPSTU2045MA	TAP SCREW	M2 x 4.5mm(x3)	
	123	LV44468-001A	SPRING	(x2)	
	124	LV44469-001A	ROLLER	(x2)	
	125	LV45065-003A	SPECIAL SCREW	(x10)	
	126	QYSDST2004ZA	TAP SCREW	M2 x 4mm(x4)	
	127	QYSDST2006MA	TAP SCREW	M2 x 6mm(x5)	
	128	LV44471-003A	TOR SPRING		
	129	QYWFM628050	WASHER	8mm/6.2mm x 0.5mm(x2)	
	130	LV44159-004A	MINI SCREW	(x4)	
	131	QYSPSGU2040MA	TAP SCREW	M2 x 4mm(x4)	
	132	LV43971-001A	ABSORBER	(x2)	
	133	LV40846-060A	SPACER(F)	(x2)	
	134	QNZ0988-001	DETACH CON	(x2)	
△	135	QAL1053-001	FPC		
△	136	LV38251-001A	SHIELD SHEET		J
△	137	LV40848-073A	SPACER(P)	(x2)	J
△	138	LV45172-001A	EMC SHEET		J
△	139	LV44247-007A	SHIELD TIGHT		J
	140	LV38233-003A	NAME PLATE		J
	140	LV38168-002A	NAME PLATE		E
	140	LV38234-001A	NAME PLATE		EE
	141	LV44603-003A	LASER CAUTION		
	142	LV42940-002A	CAUTION LABEL		
	143	LV44938-001A	WINDOWS LABEL		
	144	GE40442-001A	FCC RULE LABEL		J
	145	QAM1077-002	CAR CABLE		
	146	LV37518-001A	TRANSPORT BKT	(x2)	
	147	QYSDSP5008ZA	SCREW	M5 x 8mm(x4)	
	148	LV22425-006A	SLEEVE ASSY		

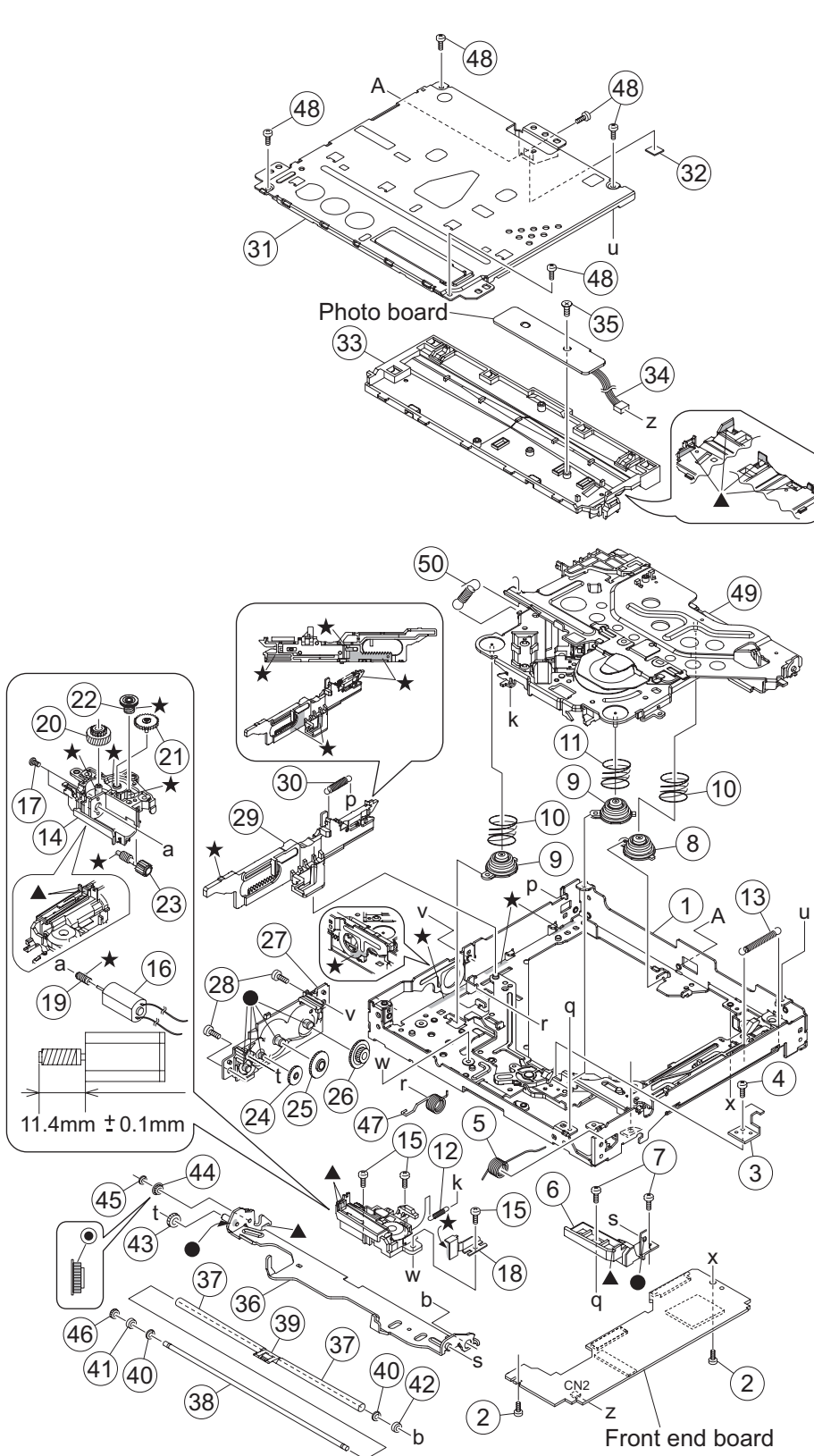
△	Symbol No.	Part No.	Part Name	Description	Local
	149	LV37151-002A	SUPPORT BKT	(x2)	
	150	QYSSSP5008ZA	SCREW	M5 x 8mm(x4)	
	151	QYSDSP2603ZA	SCREW	M2.6 x 3mm(x4)	
	152	LV43967-001A	IC BRACKET	BK 371	
	153	LV37970-001A	CONNECTOR BKT		
	154	LV43373-002A	REGULATOR BKT		
	155	LV44477-001A	IC BKT(DVD)		
△	156	QMFZ039-150-T	FUSE	15A F 9001	
	157	LV38118-001A	SHIELD COVER		
	158	LV38118-001A	SHIELD COVER		J,E
	159	LV44980-001A	LABEL(MERCURY)		J
	160	CB-NX7000JD	CPU CB ASSY		J
	160	CB-NX7000ED	CPU CB ASSY		E
	160	CB-NX7000EED	CPU CB ASSY		EE

<MEMO>

DVD mechanism assembly and parts list

FMU-XD2-11

Block No. M J M M



- Grease
- ★ =JVG-31N
 - =JVS-1003
 - ▲ =CFD-006ZR
 - =JC-803B
 - =1401C
 - △ =G332

The parts without symbol number are not service.

DVD mechanism

Block No. [M][J][M][M]

△	Symbol No.	Part No.	Part Name	Description	Local
	1	LV11434-004A	FRAME UNIT		
	2	VKZ4539-054	MINI SCREW	(x2)	
	3	LV45021-001A	STOPPER		
	4	LV44959-002A	SPECIAL SCREW		
	5	LV44907-004A	L.A.SPRING R		
	6	LV37639-002A	L ARM HOLDER		
	7	VKZ4539-054	MINI SCREW	(x2)	
	8	LV37640-001A	DAMPER(R)		
	9	LV37641-001A	DAMPER(F)	(x2)	
	10	LV45074-001A	DAMPER SPRING B	(x2)	
	11	LV45073-001A	DAMPER SPRING A		
	12	LV44897-002A	FLOATING SPRING		
	13	LV44894-001A	LOCK SLIDER SP.		
	14	LV11436-001A	MOTOR HOLDER		
	15	LV45135-001A	MINI TAP SCREW	(x3)	
	16	QAR0465-001	LOAD MOTOR		
	17	QYSPSPU1425MA	SCREW	M1.4 x 2.5mm(x2)	
	18	LV37642-001A	MOTOR TH SPRING		
	19	LV37643-001A	MOTOR WORM GEAR		
	20	LV37644-002A	M WHEEL GEAR		
	21	LV37645-002A	M CONNECT GEAR		
	22	LV37646-001A	A WORM GEAR		
	23	LV37647-001A	A WHEEL GEAR		
	24	LV37648-001A	ACT GEAR		
	25	LV37649-001A	A CONNECT GEAR		
	26	LV37650-001A	LOADING GEAR		
	27	LV22553-003A	GEAR BASE		
	28	VKZ4539-054	MINI SCREW	(x2)	
	29	LV37688-002A	SLIDE CAM ASSY		
	30	LV45090-001A	S.CAM SPRING		
	31	LV11437-003A	TOP COVER		
	32	LV45157-001A	SPACER		
	33	LV11438-003A	DISC PLATE		
	34	WJM0493-001A-E	E-SI C WIRE C-F		
	35	LV44586-001A	SPECIAL SCREW		
	36	LV22555-002A	L ARM ASSY		
	37	LV44902-001A	ROLLER	(x2)	
	38	LV44903-001A	ROLLER SHAFT		
	39	LV37652-002A	SHAFT GUIDE		
	40	LV44960-001A	SLIT WASHER	(x2)	
	41	LV44904-001A	R COLLAR L		
	42	LV44905-001A	R COLLAR R		
	43	LV37653-001A	R CONNECT GEAR		
	44	LV37654-001A	R MIDDLE GEAR		
	45	QYWDL1735250	SLIT WASHER	3.5mm/1.7mm x 0.25mm	
	46	LV37655-001A	ROLLER GEAR		
	47	LV44906-005A	L.A.SPRING L		
	48	VKZ4539-054	MINI SCREW	(x5)	
	49	CM-FMUXD1D	TRA MECHA UNIT		
	50	LV44910-002A	CLAMPER SPRING		

Electrical parts list

Main board

Block No. [0][1]

△ Symbol No.	Part No.	Part Name	Description	Local
△ IC111	TEF6601T/V2-X	IC		J
△ IC111	TEF6606T/V2-X	IC		E,EE
IC121	LC72725KM-X	IC		E,EE
IC151	TEF6601T/V2-X	IC		J,E
IC161	LC72725KM-X	IC		J,E
IC201	NJM2505F-X	IC		
IC211	NJM2505F-X	IC		
IC251	MM1228XF-X	IC		
IC261	NJM2535V-X	IC		
IC301	TDA7416	IC		
IC331	NJM4565M-WE	IC		
IC332	NJM4565M-WE	IC		
IC333	NJM4565M-WE	IC		
△ IC371	TB2926AHQ	IC		
△ IC701	UPD78F1178GF7B	IC(PROGRAMED)		
IC731	S-80824CNNB-G-W	IC		
IC741	BR24L32F-W-X	IC(DIGITAL)		
△ IC911	R2S25400DS-E	IC		
IC912	BH33MA3WHFV-W	IC		
△ IC921	BA9743AFV-X	IC		
IC922	TC7SH08FU-X	IC		
IC931	NJM2396F09	IC		
IC951	TC7WT241FU-X	IC		
IC952	TC7WT241FU-X	IC		
IC961	BA6956AN	IC		
Q1401	3SK195-W	TRANSISTOR		J,E
Q3031	2SC3928A/QR/-X	TRANSISTOR		
Q3031	or 2SD601A/QR/-X	TRANSISTOR		
Q3031	or 2SC2412K/R/-X	TRANSISTOR		
Q3032	ISA1530AC1/QR/X	TRANSISTOR		
Q3071	RT1N441C-X	TRANSISTOR		
Q3072	RT1P441C-X	DIGI TRANSISTOR		
Q3073	RT1N441C-X	TRANSISTOR		
Q3074	2SC3928A/QR/-X	TRANSISTOR		
Q3074	or 2SD601A/QR/-X	TRANSISTOR		
Q3074	or 2SC2412K/R/-X	TRANSISTOR		
Q3151	2SD2114K/VW/-X	TRANSISTOR		
Q3251	2SD2114K/VW/-X	TRANSISTOR		
Q3351	2SD2114K/VW/-X	TRANSISTOR		
Q3451	2SD2114K/VW/-X	TRANSISTOR		
Q3551	2SD2114K/VW/-X	TRANSISTOR		
Q7001	RT1P441C-X	DIGI TRANSISTOR		
Q9131	RSQ025P03-W	TRANSISTOR		
Q9132	RT1N141C-X	DIGI TRANSISTOR		
Q9132	or UN2211-X	TRANSISTOR		
Q9132	or DTC114EKA-X	DIGI TRANSISTOR		
Q9151	RT1P441C-X	DIGI TRANSISTOR		
Q9152	RT1N441C-X	TRANSISTOR		
Q9241	ISA1530AC1/QR/X	TRANSISTOR		
Q9242	2SC3928A/QR/-X	TRANSISTOR		
Q9242	or 2SD601A/QR/-X	TRANSISTOR		
Q9242	or 2SC2412K/R/-X	TRANSISTOR		
Q9243	RTQ035N03-W	MOS FET		
Q9251	ISA1530AC1/QR/X	TRANSISTOR		
Q9401	RT1P141C-X	DIGI TRANSISTOR		
Q9401	or UN2111-X	TRANSISTOR		
Q9401	or DTA114EKA-X	DIGI TRANSISTOR		
Q9402	RT1P141C-X	DIGI TRANSISTOR		
Q9402	or UN2111-X	TRANSISTOR		
Q9402	or DTA114EKA-X	DIGI TRANSISTOR		
Q9403	RT1P141C-X	DIGI TRANSISTOR		
Q9403	or UN2111-X	TRANSISTOR		
Q9403	or DTA114EKA-X	DIGI TRANSISTOR		
Q9451	RT1N141C-X	DIGI TRANSISTOR		
Q9451	or UN2211-X	TRANSISTOR		
Q9451	or DTC114EKA-X	DIGI TRANSISTOR		
Q9453	2SC3928A/QR/-X	TRANSISTOR		
Q9453	or 2SD601A/QR/-X	TRANSISTOR		
Q9453	or 2SC2412K/R/-X	TRANSISTOR		
Q9454	RT1N141C-X	DIGI TRANSISTOR		
Q9454	or UN2211-X	TRANSISTOR		

△ Symbol No.	Part No.	Part Name	Description	Local
Q9454	or DTC114EKA-X	DIGI TRANSISTOR		
Q9461	RT1N441C-X	TRANSISTOR		
Q9462	ISA1530AC1/QR/X	TRANSISTOR		
Q9551	RT1N141C-X	DIGI TRANSISTOR		
Q9551	or UN2211-X	TRANSISTOR		
Q9551	or DTC114EKA-X	DIGI TRANSISTOR		
Q9561	RT1P441C-X	DIGI TRANSISTOR		
Q9562	RT1N441C-X	TRANSISTOR		
Q9601	RT1N141C-X	DIGI TRANSISTOR		
Q9601	or UN2211-X	TRANSISTOR		
Q9601	or DTC114EKA-X	DIGI TRANSISTOR		
Q9701	RT1N141C-X	DIGI TRANSISTOR		
Q9701	or UN2211-X	TRANSISTOR		
Q9701	or DTC114EKA-X	DIGI TRANSISTOR		
Q9751	ISA1530AC1/QR/X	TRANSISTOR		E,EE
D1001	MA111-X	SI DIODE		J,E
D1002	MA111-X	SI DIODE		J,E
D2001	MA111-X	SI DIODE		
D2002	MA111-X	SI DIODE		
D2101	MA111-X	SI DIODE		
D2102	MA111-X	SI DIODE		
D2501	MA111-X	SI DIODE		
D2502	MA111-X	SI DIODE		
D3071	MA8110/M/-X	Z DIODE		
D3151	MC2836-X	DIODE		
D3251	MC2836-X	DIODE		
D3551	MA111-X	SI DIODE		
D7351	MA111-X	SI DIODE		
△ D9001	1N5401-F64	SI DIODE		
D9003	MA22D23-X	SB DIODE		
D9004	MA22D23-X	SB DIODE		J
D9005	MA22D23-X	SB DIODE		J
D9006	MA22D23-X	SB DIODE		
D9051	MA22D23-X	SB DIODE		
D9151	MA111-X	SI DIODE		
D9241	RB051L-40-X	SB DIODE		
D9251	MA22D23-X	SB DIODE		
D9252	MA22D23-X	SB DIODE		
D9253	MA8120/M/-X	Z DIODE		
D9254	MA111-X	SI DIODE		
D9301	MA8033/H/-X	Z DIODE		
D9401	MA8110/M/-X	Z DIODE		
D9402	MC2836-X	DIODE		
D9403	MA111-X	SI DIODE		
D9451	MC2836-X	DIODE		
D9452	MA111-X	SI DIODE		
D9601	MA22D23-X	SB DIODE		
D9602	MA8056/M/-X	Z DIODE		
D9701	MA8047/M/-X	Z DIODE		
D9702	MA111-X	SI DIODE		
D9703	MA111-X	SI DIODE		
D9751	MA111-X	SI DIODE		E,EE
C1001	NDC31HJ-150X	C CAPACITOR	15pF 50V J	
C1002	NDC31HJ-220X	C CAPACITOR	22pF 50V J	
C1003	NCB31HK-102X	C CAPACITOR	1000pF 50V K	
C1004	NDC31HJ-7R0X	C CAPACITOR	7pF 50V J	
C1005	NDC31HJ-6R0X	C CAPACITOR	6pF 50V J	
C1006	NDC31HJ-2R0X	C CAPACITOR	2pF 50V J	
C1007	NCB31HK-104X	C CAPACITOR	0.1uF 50V K	
C1101	NCB31CK-224X	C CAPACITOR	0.22uF 16V K	
C1102	NCJ21CK-106X-R	C CAPACITOR	10uF 16V K	
C1103	NCB31CK-224X	C CAPACITOR	0.22uF 16V K	
C1104	NCB31CK-105X	C CAPACITOR	1uF 16V K	
C1105	NCB31CK-105X	C CAPACITOR	1uF 16V K	
C1106	NCB31CK-224X	C CAPACITOR	0.22uF 16V K	
C1107	NCB31HK-104X	C CAPACITOR	0.1uF 50V K	
C1108	NDC31HJ-180X	C CAPACITOR	18pF 50V J	
C1109	NCB31CK-105X	C CAPACITOR	1uF 16V K	
C1110	NCB31HK-103X	C CAPACITOR	0.01uF 50V K	
C1111	NCB31HK-103X	C CAPACITOR	0.01uF 50V K	
C1112	NCB31HK-104X	C CAPACITOR	0.1uF 50V K	
C1113	NCB31HK-103X	C CAPACITOR	0.01uF 50V K	
C1114	NCB31HK-103X	C CAPACITOR	0.01uF 50V K	
C1115	NCB31HK-104X	C CAPACITOR	0.1uF 50V K	

△ Symbol No.	Part No.	Part Name	Description	Local	△ Symbol No.	Part No.	Part Name	Description	Local
C1116	NCB31CK-105X	C CAPACITOR	1uF 16V K		C3078	QETN1HM-225Z	E CAPACITOR	2.2uF 50V M	
C1117	NCB31HK-104X	C CAPACITOR	0.1uF 50V K		C3101	QEKJ1HM-105Z	E CAPACITOR	1uF 50V M	
C1201	NCB31CK-224X	C CAPACITOR	0.22uF 16V K	E,EE	C3102	QEKJ1HM-105Z	E CAPACITOR	1uF 50V M	
C1202	NDC31HJ-561X	C CAPACITOR	560pF 50V J	E,EE	C3103	QEKJ1HM-105Z	E CAPACITOR	1uF 50V M	
C1203	NCB31HK-103X	C CAPACITOR	0.01uF 50V K	E,EE	C3104	NCB31HK-104X	C CAPACITOR	0.1uF 50V K	
C1204	NCJ21CK-106X-R	C CAPACITOR	10uF 16V K	E,EE	C3105	NDC31HJ-101X	C CAPACITOR	100pF 50V J	
C1205	NCB31HK-103X	C CAPACITOR	0.01uF 50V K	E,EE	C3106	QEKJ1HM-105Z	E CAPACITOR	1uF 50V M	
C1206	QETN1HM-226Z	E CAPACITOR	22uF 50V M	E,EE	C3107	NCB31HK-102X	C CAPACITOR	1000pF 50V K	
C1207	NDC31HJ-330X	C CAPACITOR	33pF 50V J	EE	C3108	NCB31HK-332X	C CAPACITOR	3300pF 50V K	
C1208	NDC31HJ-330X	C CAPACITOR	33pF 50V J	EE	C3131	QETN1HM-475Z	E CAPACITOR	4.7uF 50V M	
C1209	NCB31HK-102X	C CAPACITOR	1000pF 50V K	E	C3132	NDC31HJ-101X	C CAPACITOR	100pF 50V J	
C1401	NDC31HJ-330X	C CAPACITOR	33pF 50V J	J,E	C3151	QETN1HM-475Z	E CAPACITOR	4.7uF 50V M	
C1402	NDC31HJ-330X	C CAPACITOR	33pF 50V J	J,E	C3152	NDC31HJ-101X	C CAPACITOR	100pF 50V J	
C1403	NCB31HK-103X	C CAPACITOR	0.01uF 50V K	J,E	C3171	NFV81CM-105X	MF CAPACITOR	1uF 16V M	
C1404	NDC31HJ-120X	C CAPACITOR	12pF 50V J	J,E	C3172	NDC31HJ-101X	C CAPACITOR	100pF 50V J	
C1405	NDC31HJ-220X	C CAPACITOR	22pF 50V J	J,E	C3201	QEKJ1HM-105Z	E CAPACITOR	1uF 50V M	
C1406	NCB31HK-103X	C CAPACITOR	0.01uF 50V K	J,E	C3202	QEKJ1HM-105Z	E CAPACITOR	1uF 50V M	
C1501	NCJ21CK-106X-R	C CAPACITOR	10uF 16V K	J,E	C3203	QEKJ1HM-105Z	E CAPACITOR	1uF 50V M	
C1502	NCB31CK-224X	C CAPACITOR	0.22uF 16V K	J,E	C3204	NCB31HK-104X	C CAPACITOR	0.1uF 50V K	
C1503	NCB31HK-104X	C CAPACITOR	0.1uF 50V K	J,E	C3205	NDC31HJ-101X	C CAPACITOR	100pF 50V J	
C1504	NDC31HJ-180X	C CAPACITOR	18pF 50V J	J,E	C3206	QEKJ1HM-105Z	E CAPACITOR	1uF 50V M	
C1505	NCB31HK-104X	C CAPACITOR	0.1uF 50V K	J,E	C3207	NCB31HK-102X	C CAPACITOR	1000pF 50V K	
C1506	NCB31HK-103X	C CAPACITOR	0.01uF 50V K	J,E	C3208	NCB31HK-332X	C CAPACITOR	3300pF 50V K	
C1507	NCB31HK-103X	C CAPACITOR	0.01uF 50V K	J,E	C3231	QETN1HM-475Z	E CAPACITOR	4.7uF 50V M	
C1508	NCB31HK-104X	C CAPACITOR	0.1uF 50V K	J,E	C3232	NDC31HJ-101X	C CAPACITOR	100pF 50V J	
C1509	NCB31CK-105X	C CAPACITOR	1uF 16V K	J,E	C3251	QETN1HM-475Z	E CAPACITOR	4.7uF 50V M	
C1510	NCB31HK-104X	C CAPACITOR	0.1uF 50V K	J,E	C3252	NDC31HJ-101X	C CAPACITOR	100pF 50V J	
C1601	NCB31CK-224X	C CAPACITOR	0.22uF 16V K	J,E	C3271	NFV81CM-105X	MF CAPACITOR	1uF 16V M	
C1602	NDC31HJ-561X	C CAPACITOR	560pF 50V J	J,E	C3272	NDC31HJ-101X	C CAPACITOR	100pF 50V J	
C1603	NCB31HK-103X	C CAPACITOR	0.01uF 50V K	J,E	C3331	QETN1HM-475Z	E CAPACITOR	4.7uF 50V M	
C1604	NCJ21CK-106X-R	C CAPACITOR	10uF 16V K	J,E	C3332	NDC31HJ-101X	C CAPACITOR	100pF 50V J	
C1605	NCB31HK-103X	C CAPACITOR	0.01uF 50V K	J,E	C3351	QETN1HM-475Z	E CAPACITOR	4.7uF 50V M	
C1606	QETN1HM-226Z	E CAPACITOR	22uF 50V M	J,E	C3352	NDC31HJ-101X	C CAPACITOR	100pF 50V J	
C1607	NDC31HJ-330X	C CAPACITOR	33pF 50V J	J,E	C3371	NFV81CM-105X	MF CAPACITOR	1uF 16V M	
C1608	NDC31HJ-330X	C CAPACITOR	33pF 50V J	J,E	C3372	NDC31HJ-101X	C CAPACITOR	100pF 50V J	
C1609	NCB31HK-102X	C CAPACITOR	1000pF 50V K	E	C3373	NDC31HJ-101X	C CAPACITOR	100pF 50V J	
C2001	QETN1HM-106Z	E CAPACITOR	10uF 50V M		C3431	QETN1HM-475Z	E CAPACITOR	4.7uF 50V M	
C2002	QETN1HM-106Z	E CAPACITOR	10uF 50V M		C3432	NDC31HJ-101X	C CAPACITOR	100pF 50V J	
C2003	NCB31HK-102X	C CAPACITOR	1000pF 50V K		C3451	QETN1HM-475Z	E CAPACITOR	4.7uF 50V M	
C2004	QETN1EM-476Z	E CAPACITOR	47uF 25V M		C3452	NDC31HJ-101X	C CAPACITOR	100pF 50V J	
C2005	NCB31HK-104X	C CAPACITOR	0.1uF 50V K		C3471	NFV81CM-105X	MF CAPACITOR	1uF 16V M	
C2006	NDC31HJ-101X	C CAPACITOR	100pF 50V J		C3472	NDC31HJ-101X	C CAPACITOR	100pF 50V J	
C2101	QETN1HM-106Z	E CAPACITOR	10uF 50V M		C3531	QETN1HM-475Z	E CAPACITOR	4.7uF 50V M	
C2102	QETN1HM-106Z	E CAPACITOR	10uF 50V M		C3532	NDC31HJ-101X	C CAPACITOR	100pF 50V J	
C2103	NCB31HK-102X	C CAPACITOR	1000pF 50V K		C3551	QETN1HM-106Z	E CAPACITOR	10uF 50V M	
C2104	QETN1EM-476Z	E CAPACITOR	47uF 25V M		C3552	NCB31HK-102X	C CAPACITOR	1000pF 50V K	
C2105	NCB31HK-104X	C CAPACITOR	0.1uF 50V K		C7001	NCB31CK-105X	C CAPACITOR	1uF 16V K	
C2106	NDC31HJ-101X	C CAPACITOR	100pF 50V J		C7002	NCB31HK-102X	C CAPACITOR	1000pF 50V K	
C2501	NCB20JK-475X	C CAPACITOR	4.7uF 6.3V K		C7003	NCB31CK-105X	C CAPACITOR	1uF 16V K	
C2502	NCB31CK-105X	C CAPACITOR	1uF 16V K		C7004	QETN0JM-108Z	E CAPACITOR	1000uF 6.3V M	
C2503	NCB31HK-104X	C CAPACITOR	0.1uF 50V K		C7301	NCB31HK-104X	C CAPACITOR	0.1uF 50V K	
C2504	QETN1EM-476Z	E CAPACITOR	47uF 25V M		C7302	NCB31HK-102X	C CAPACITOR	1000pF 50V K	
C2505	QETN1AM-477Z	E CAPACITOR	470uF 10V M		C7303	NDC31HJ-270X	C CAPACITOR	27pF 50V J	
C2507	NDC31HJ-101X	C CAPACITOR	100pF 50V J		C7304	NDC31HJ-220X	C CAPACITOR	22pF 50V J	
C2601	NCB20JK-475X	C CAPACITOR	4.7uF 6.3V K		C7305	NDC31HJ-5R0X	C CAPACITOR	5pF 50V J	
C2602	NCB31CK-105X	C CAPACITOR	1uF 16V K		C7306	NDC31HJ-5R0X	C CAPACITOR	5pF 50V J	
C2603	NCB31HK-104X	C CAPACITOR	0.1uF 50V K		C7351	QETN1EM-476Z	E CAPACITOR	47uF 25V M	
C2604	QETN1EM-476Z	E CAPACITOR	47uF 25V M		C7352	NCB31HK-103X	C CAPACITOR	0.01uF 50V K	
C2606	NCB31CK-105X	C CAPACITOR	1uF 16V K		C7401	NCB31HK-103X	C CAPACITOR	0.01uF 50V K	
C3001	QETN1CM-107Z	E CAPACITOR	100uF 16V M		△ C9001	QEZ0723-338	E CAPACITOR	3300uF 160V M	
C3002	NCB31HK-473X	C CAPACITOR	0.047uF 50V K		C9002	NCB31HK-104X	C CAPACITOR	0.1uF 50V K	
C3003	NCB31HK-104X	C CAPACITOR	0.1uF 50V K		C9003	QETN1HM-225Z	E CAPACITOR	2.2uF 50V M	
C3004	QETN1HM-226Z	E CAPACITOR	22uF 50V M		C9004	NCB31HK-104X	C CAPACITOR	0.1uF 50V K	
C3005	NCB31HK-104X	C CAPACITOR	0.1uF 50V K		C9005	NCB31HK-104X	C CAPACITOR	0.1uF 50V K	J
C3006	QEKJ1HM-105Z	E CAPACITOR	1uF 50V M		C9006	NCB31HK-103X	C CAPACITOR	0.01uF 50V K	
C3007	NCB31EK-563X	C CAPACITOR	0.056uF 25V K		C9007	NCB31HK-103X	C CAPACITOR	0.01uF 50V K	
C3031	QETN1EM-476Z	E CAPACITOR	47uF 25V M		C9051	NCB31HK-104X	C CAPACITOR	0.1uF 50V K	
C3032	QETN1EM-476Z	E CAPACITOR	47uF 25V M		C9052	NCB31HK-104X	C CAPACITOR	0.1uF 50V K	
C3033	QETN1EM-476Z	E CAPACITOR	47uF 25V M		C9053	NCB31HK-104X	C CAPACITOR	0.1uF 50V K	
C3034	QETN1EM-476Z	E CAPACITOR	47uF 25V M		C9054	NCB31HK-102X	C CAPACITOR	1000pF 50V K	
C3051	NCB31HK-223X	C CAPACITOR	0.022uF 50V K		C9101	QETN1HM-106Z	E CAPACITOR	10uF 50V M	
C3071	NCB31HK-103X	C CAPACITOR	0.01uF 50V K		C9102	NCB31HK-104X	C CAPACITOR	0.1uF 50V K	
C3072	QETN1HM-106Z	E CAPACITOR	10uF 50V M		C9103	QETN1AM-227Z	E CAPACITOR	220uF 10V M	
C3073	QETN1HM-106Z	E CAPACITOR	10uF 50V M		C9104	NCB31HK-104X	C CAPACITOR	0.1uF 50V K	
C3074	QETN1HM-106Z	E CAPACITOR	10uF 50V M		C9105	NCB31HK-104X	C CAPACITOR	0.1uF 50V K	
C3075	QETN1EM-476Z	E CAPACITOR	47uF 25V M		C9106	QETN1AM-227Z	E CAPACITOR	220uF 10V M	
C3076	NCB31HK-103X	C CAPACITOR	0.01uF 50V K		C9107	QETN1HM-226Z	E CAPACITOR	22uF 50V M	
C3077	QETN1HM-226Z	E CAPACITOR	22uF 50V M		C9108	NCB31HK-103X	C CAPACITOR	0.01uF 50V K	
					C9109	QETN1HM-226Z	E CAPACITOR	22uF 50V M	

△ Symbol No.	Part No.	Part Name	Description	Local	△ Symbol No.	Part No.	Part Name	Description	Local
C9151	QETN0JM-108Z	E CAPACITOR	1000uF 6.3V M		R2005	NRSA63J-390X	MG RESISTOR	39Ω 1/16W J	
C9152	NCB31HK-103X	C CAPACITOR	0.01uF 50V K		R2006	NRSA63J-100X	MG RESISTOR	10Ω 1/16W J	
C9153	NCB31CK-105X	C CAPACITOR	1uF 16V K		R2007	NRSA63J-0R0X	MG RESISTOR	0Ω 1/16W J	
C9201	NCB31HK-103X	C CAPACITOR	0.01uF 50V K		R2008	NRSA63J-0R0X	MG RESISTOR	0Ω 1/16W J	
C9202	NCB31HK-104X	C CAPACITOR	0.1uF 50V K		R2101	NRSA63J-471X	MG RESISTOR	470Ω 1/16W J	
C9203	NCB31HK-272X	C CAPACITOR	2700pF 50V K		R2102	NRSA63J-471X	MG RESISTOR	470Ω 1/16W J	
C9205	NCB31HK-104X	C CAPACITOR	0.1uF 50V K		R2103	NRSA63J-104X	MG RESISTOR	100kΩ 1/16W J	
C9211	NCB31CK-105X	C CAPACITOR	1uF 16V K		R2104	NRSA63J-104X	MG RESISTOR	100kΩ 1/16W J	
C9212	NCB31HK-222X	C CAPACITOR	2200pF 50V K		R2105	NRSA63J-390X	MG RESISTOR	39Ω 1/16W J	
C9214	NCB31HK-682X	C CAPACITOR	6800pF 50V K		R2106	NRSA63J-100X	MG RESISTOR	10Ω 1/16W J	
C9215	NCB31HK-104X	C CAPACITOR	0.1uF 50V K		R2107	NRSA63J-0R0X	MG RESISTOR	0Ω 1/16W J	
C9241	NCJ11EK-106X-R	C CAPACITOR	10uF 25V		R2108	NRSA63J-0R0X	MG RESISTOR	0Ω 1/16W J	
C9242	NDC31HJ-221X	C CAPACITOR	220pF 50V J		R2501	NRSA63J-100X	MG RESISTOR	10Ω 1/16W J	
C9243	NCJ11EK-106X-R	C CAPACITOR	10uF 25V		R2502	NRSA63J-750X	MG RESISTOR	75Ω 1/16W J	
C9244	QETN1EM-476Z	E CAPACITOR	47uF 25V M		R2503	NRSA63J-103X	MG RESISTOR	10kΩ 1/16W J	
C9251	NCB31HK-104X	C CAPACITOR	0.1uF 50V K		R2504	NRSA63J-105X	MG RESISTOR	1MΩ 1/16W J	
C9252	NCF21HZ-105X	C CAPACITOR	1uF 50V Z		R2505	NRSA63J-0R0X	MG RESISTOR	0Ω 1/16W J	
C9253	NCB31HK-104X	C CAPACITOR	0.1uF 50V K		R2601	NRSA63J-100X	MG RESISTOR	10Ω 1/16W J	
C9254	NCB31CK-105X	C CAPACITOR	1uF 16V K		R2602	NRSA63J-0R0X	MG RESISTOR	0Ω 1/16W J	
C9255	QETN1EM-476Z	E CAPACITOR	47uF 25V M		R2603	NRSA63J-181X	MG RESISTOR	180Ω 1/16W J	
C9301	QEKJ1EM-106Z	E CAPACITOR	10uF 25V M		R2604	NRSA63J-332X	MG RESISTOR	3.3kΩ 1/16W J	
C9302	NCB31HK-104X	C CAPACITOR	0.1uF 50V K		R3001	NRSA63J-471X	MG RESISTOR	470Ω 1/16W J	
C9303	QEKJ1EM-106Z	E CAPACITOR	10uF 25V M		R3003	NRSA63J-101X	MG RESISTOR	100Ω 1/16W J	
C9304	NCB31HK-103X	C CAPACITOR	0.01uF 50V K		R3004	NRSA63J-0R0X	MG RESISTOR	0Ω 1/16W J	
C9401	QETN1EM-476Z	E CAPACITOR	47uF 25V M		R3005	NRSA63J-222X	MG RESISTOR	2.2kΩ 1/16W J	
C9402	QETN1EM-476Z	E CAPACITOR	47uF 25V M		R3031	NRSA63J-332X	MG RESISTOR	3.3kΩ 1/16W J	
C9451	NCB31HK-104X	C CAPACITOR	0.1uF 50V K		R3033	NRSA63J-222X	MG RESISTOR	2.2kΩ 1/16W J	
C9453	QETN1HM-226Z	E CAPACITOR	22uF 50V M		R3034	NRSA63J-472X	MG RESISTOR	4.7kΩ 1/16W J	
C9454	NCB31CK-105X	C CAPACITOR	1uF 16V K		R3055	NRSA63J-0R0X	MG RESISTOR	0Ω 1/16W J	
C9501	NCB31HK-103X	C CAPACITOR	0.01uF 50V K		R3056	NRSA63J-0R0X	MG RESISTOR	0Ω 1/16W J	
C9502	NCB31HK-103X	C CAPACITOR	0.01uF 50V K		R3071	NRSA63J-222X	MG RESISTOR	2.2kΩ 1/16W J	
C9551	NCB31HK-104X	C CAPACITOR	0.1uF 50V K		R3072	NRSA63J-100X	MG RESISTOR	10Ω 1/16W J	
C9601	QETN1CM-107Z	E CAPACITOR	100uF 16V M		R3073	NRSA63J-273X	MG RESISTOR	27kΩ 1/16W J	
C9602	NCB31HK-473X	C CAPACITOR	0.047uF 50V K		R3074	NRSA63J-473X	MG RESISTOR	47kΩ 1/16W J	
C9701	QETN1HM-106Z	E CAPACITOR	10uF 50V M		R3075	NRSA63J-473X	MG RESISTOR	47kΩ 1/16W J	
C9702	NCB31HK-473X	C CAPACITOR	0.047uF 50V K		R3076	NRSA63J-103X	MG RESISTOR	10kΩ 1/16W J	
C9703	NCB31HK-102X	C CAPACITOR	1000pF 50V K		R3101	NRSA63J-473X	MG RESISTOR	47kΩ 1/16W J	
C9751	QETN1HM-106Z	E CAPACITOR	10uF 50V M	E,EE	R3102	NRSA63J-222X	MG RESISTOR	2.2kΩ 1/16W J	
C9752	NCB31HK-103X	C CAPACITOR	0.01uF 50V K	E,EE	R3103	NRSA63J-473X	MG RESISTOR	47kΩ 1/16W J	
C9753	NDC31HJ-220X	C CAPACITOR	22pF 50V J	E,EE	R3104	NRSA63J-0R0X	MG RESISTOR	0Ω 1/16W J	
C9802	NCB31HK-102X	C CAPACITOR	1000pF 50V K		R3105	NRSA63J-151X	MG RESISTOR	150Ω 1/16W J	
R1001	NRSA63J-474X	MG RESISTOR	470kΩ 1/16W J		R3106	NRSA63J-471X	MG RESISTOR	470Ω 1/16W J	
R1002	NRSA63J-474X	MG RESISTOR	470kΩ 1/16W J		R3131	NRSA63J-102X	MG RESISTOR	1kΩ 1/16W J	
R1101	NRSA63J-472X	MG RESISTOR	4.7kΩ 1/16W J		R3132	NRSA63J-473X	MG RESISTOR	47kΩ 1/16W J	
R1102	NRS181J-220X	MG RESISTOR	22Ω 1/8W J		R3133	NRSA63J-183X	MG RESISTOR	18kΩ 1/16W J	
R1105	NRSA63J-472X	MG RESISTOR	4.7kΩ 1/16W J		R3134	NRSA63J-123X	MG RESISTOR	12kΩ 1/16W J	
R1106	NRSA63J-472X	MG RESISTOR	4.7kΩ 1/16W J		R3151	NRSA63J-102X	MG RESISTOR	1kΩ 1/16W J	
R1111	NRSA63J-153X	MG RESISTOR	15kΩ 1/16W J	J	R3152	NRSA63J-473X	MG RESISTOR	47kΩ 1/16W J	
R1111	NRSA63J-0R0X	MG RESISTOR	0Ω 1/16W J	E,EE	R3153	NRSA63J-201X	MG RESISTOR	200Ω 1/16W J	
R1112	NRSA63J-153X	MG RESISTOR	15kΩ 1/16W J	J	R3154	NRSA63J-201X	MG RESISTOR	200Ω 1/16W J	
R1112	NRSA63J-0R0X	MG RESISTOR	0Ω 1/16W J	E,EE	R3155	NRSA63J-222X	MG RESISTOR	2.2kΩ 1/16W J	
R1113	NRSA63J-473X	MG RESISTOR	47kΩ 1/16W J		R3171	NRSA63J-101X	MG RESISTOR	100Ω 1/16W J	
R1114	NRSA63J-473X	MG RESISTOR	47kΩ 1/16W J		R3172	NRSA63J-102X	MG RESISTOR	1kΩ 1/16W J	
R1201	NRSA63J-222X	MG RESISTOR	2.2kΩ 1/16W J	E,EE	R3201	NRSA63J-473X	MG RESISTOR	47kΩ 1/16W J	
R1202	NRSA63J-0R0X	MG RESISTOR	0Ω 1/16W J	EE	R3202	NRSA63J-222X	MG RESISTOR	2.2kΩ 1/16W J	
R1203	NRSA63J-222X	MG RESISTOR	2.2kΩ 1/16W J	E,EE	R3203	NRSA63J-473X	MG RESISTOR	47kΩ 1/16W J	
R1401	NRSA63J-104X	MG RESISTOR	100kΩ 1/16W J	J,E	R3204	NRSA63J-0R0X	MG RESISTOR	0Ω 1/16W J	
R1402	NRSA63J-394X	MG RESISTOR	390kΩ 1/16W J	J,E	R3205	NRSA63J-151X	MG RESISTOR	150Ω 1/16W J	
R1403	NRSA63J-104X	MG RESISTOR	100kΩ 1/16W J	J,E	R3206	NRSA63J-471X	MG RESISTOR	470Ω 1/16W J	
R1404	NRSA63J-823X	MG RESISTOR	82kΩ 1/16W J	J,E	R3231	NRSA63J-102X	MG RESISTOR	1kΩ 1/16W J	
R1405	NRSA63J-0R0X	MG RESISTOR	0Ω 1/16W J	J,E	R3232	NRSA63J-473X	MG RESISTOR	47kΩ 1/16W J	
R1406	NRSA63J-0R0X	MG RESISTOR	0Ω 1/16W J	J,E	R3233	NRSA63J-183X	MG RESISTOR	18kΩ 1/16W J	
R1502	NRSA63J-472X	MG RESISTOR	4.7kΩ 1/16W J	J,E	R3234	NRSA63J-123X	MG RESISTOR	12kΩ 1/16W J	
R1503	NRS181J-220X	MG RESISTOR	22Ω 1/8W J	J,E	R3251	NRSA63J-102X	MG RESISTOR	1kΩ 1/16W J	
R1506	NRSA63J-472X	MG RESISTOR	4.7kΩ 1/16W J	J,E	R3252	NRSA63J-473X	MG RESISTOR	47kΩ 1/16W J	
R1507	NRSA63J-472X	MG RESISTOR	4.7kΩ 1/16W J	J,E	R3253	NRSA63J-201X	MG RESISTOR	200Ω 1/16W J	
R1551	NRS181J-4R7X	MG RESISTOR	4.7Ω 1/8W J		R3254	NRSA63J-201X	MG RESISTOR	200Ω 1/16W J	
R1552	NRSA63J-0R0X	MG RESISTOR	0Ω 1/16W J		R3255	NRSA63J-222X	MG RESISTOR	2.2kΩ 1/16W J	
R1553	NRSA63J-0R0X	MG RESISTOR	0Ω 1/16W J	J,E	R3271	NRSA63J-101X	MG RESISTOR	100Ω 1/16W J	
R1554	NRS181J-4R7X	MG RESISTOR	4.7Ω 1/8W J	J,E	R3272	NRSA63J-102X	MG RESISTOR	1kΩ 1/16W J	
R1601	NRSA63J-222X	MG RESISTOR	2.2kΩ 1/16W J	J,E	R3331	NRSA63J-102X	MG RESISTOR	1kΩ 1/16W J	
R1602	NRSA63J-0R0X	MG RESISTOR	0Ω 1/16W J	J,E	R3332	NRSA63J-473X	MG RESISTOR	47kΩ 1/16W J	
R1603	NRSA63J-222X	MG RESISTOR	2.2kΩ 1/16W J	J,E	R3333	NRSA63J-183X	MG RESISTOR	18kΩ 1/16W J	
R2001	NRSA63J-471X	MG RESISTOR	470Ω 1/16W J		R3334	NRSA63J-123X	MG RESISTOR	12kΩ 1/16W J	
R2002	NRSA63J-471X	MG RESISTOR	470Ω 1/16W J		R3351	NRSA63J-102X	MG RESISTOR	1kΩ 1/16W J	
R2003	NRSA63J-104X	MG RESISTOR	100kΩ 1/16W J		R3352	NRSA63J-473X	MG RESISTOR	47kΩ 1/16W J	
R2004	NRSA63J-104X	MG RESISTOR	100kΩ 1/16W J		R3353	NRSA63J-201X	MG RESISTOR	200Ω 1/16W J	
					R3354	NRSA63J-201X	MG RESISTOR	200Ω 1/16W J	

△ Symbol No.	Part No.	Part Name	Description	Local	△ Symbol No.	Part No.	Part Name	Description	Local
R3355	NRSA63J-222X	MG RESISTOR	2.2kΩ 1/16W J		R7214	NRSA63J-153X	MG RESISTOR	15kΩ 1/16W J	E
R3371	NRSA63J-101X	MG RESISTOR	100Ω 1/16W J		R7214	NRSA63J-223X	MG RESISTOR	22kΩ 1/16W J	EE
R3372	NRSA63J-102X	MG RESISTOR	1kΩ 1/16W J		R7215	NRSA63J-333X	MG RESISTOR	33kΩ 1/16W J	E
R3431	NRSA63J-102X	MG RESISTOR	1kΩ 1/16W J		R7215	NRSA63J-273X	MG RESISTOR	27kΩ 1/16W J	EE
R3432	NRSA63J-473X	MG RESISTOR	47kΩ 1/16W J		R7216	NRSA63J-103X	MG RESISTOR	10kΩ 1/16W J	
R3433	NRSA63J-183X	MG RESISTOR	18kΩ 1/16W J		R7217	NRSA63J-472X	MG RESISTOR	4.7kΩ 1/16W J	
R3434	NRSA63J-123X	MG RESISTOR	12kΩ 1/16W J		R7220	NRSA63J-473X	MG RESISTOR	47kΩ 1/16W J	
R3451	NRSA63J-102X	MG RESISTOR	1kΩ 1/16W J		R7221	NRSA63J-473X	MG RESISTOR	47kΩ 1/16W J	
R3452	NRSA63J-473X	MG RESISTOR	47kΩ 1/16W J		R7222	NRSA63J-473X	MG RESISTOR	47kΩ 1/16W J	
R3453	NRSA63J-201X	MG RESISTOR	200Ω 1/16W J		R7301	NRSA63J-473X	MG RESISTOR	47kΩ 1/16W J	
R3454	NRSA63J-201X	MG RESISTOR	200Ω 1/16W J		R7302	NRSA63J-473X	MG RESISTOR	47kΩ 1/16W J	
R3455	NRSA63J-222X	MG RESISTOR	2.2kΩ 1/16W J		R7303	NRSA63J-473X	MG RESISTOR	47kΩ 1/16W J	
R3471	NRSA63J-101X	MG RESISTOR	100Ω 1/16W J		R7305	NRSA63J-0R0X	MG RESISTOR	0Ω 1/16W J	
R3472	NRSA63J-102X	MG RESISTOR	1kΩ 1/16W J		R7352	NRSA63J-103X	MG RESISTOR	10kΩ 1/16W J	
R3531	NRSA63J-102X	MG RESISTOR	1kΩ 1/16W J		R7353	NRSA63J-222X	MG RESISTOR	2.2kΩ 1/16W J	
R3532	NRSA63J-473X	MG RESISTOR	47kΩ 1/16W J		R7354	NRSA63J-103X	MG RESISTOR	10kΩ 1/16W J	
R3533	NRSA63J-183X	MG RESISTOR	18kΩ 1/16W J		R7401	NRSA63J-0R0X	MG RESISTOR	0Ω 1/16W J	
R3534	NRSA63J-123X	MG RESISTOR	12kΩ 1/16W J		R7402	NRSA63J-101X	MG RESISTOR	100Ω 1/16W J	
R3551	NRSA63J-102X	MG RESISTOR	1kΩ 1/16W J		R7751	NRSA63J-471X	MG RESISTOR	470Ω 1/16W J	
R3552	NRSA63J-103X	MG RESISTOR	10kΩ 1/16W J		R9001	QRE142J-102X	C RESISTOR	1kΩ 1/4W J	
R3553	NRSA63J-201X	MG RESISTOR	200Ω 1/16W J		R9002	NRSA63J-104X	MG RESISTOR	100kΩ 1/16W J	
R3554	NRSA63J-201X	MG RESISTOR	200Ω 1/16W J		R9003	NRS181J-222X	MG RESISTOR	2.2kΩ 1/8W J	
R3555	NRSA63J-222X	MG RESISTOR	2.2kΩ 1/16W J		R9004	NRS181J-222X	MG RESISTOR	2.2kΩ 1/8W J	
R7001	NRSA63J-102X	MG RESISTOR	1kΩ 1/16W J		R9005	NRSA63J-103X	MG RESISTOR	10kΩ 1/16W J	J
R7002	NRSA63J-102X	MG RESISTOR	1kΩ 1/16W J		R9103	NRSA63J-333X	MG RESISTOR	33kΩ 1/16W J	
R7004	NRSA63J-102X	MG RESISTOR	1kΩ 1/16W J		R9104	NRSA63J-473X	MG RESISTOR	47kΩ 1/16W J	
R7009	NRSA63J-222X	MG RESISTOR	2.2kΩ 1/16W J		R9105	NRSA63J-472X	MG RESISTOR	4.7kΩ 1/16W J	
R7010	NRSA63J-0R0X	MG RESISTOR	0Ω 1/16W J		R9106	NRSA63J-912X	MG RESISTOR	9.1kΩ 1/16W J	
R7011	NRSA63J-102X	MG RESISTOR	1kΩ 1/16W J		R9131	NRSA63J-103X	MG RESISTOR	10kΩ 1/16W J	
R7012	NRSA63J-102X	MG RESISTOR	1kΩ 1/16W J		R9203	NRSA63J-122X	MG RESISTOR	1.2kΩ 1/16W J	
R7013	NRSA63J-102X	MG RESISTOR	1kΩ 1/16W J		R9204	NRSA63J-153X	MG RESISTOR	15kΩ 1/16W J	
R7014	NRSA63J-102X	MG RESISTOR	1kΩ 1/16W J		R9211	NRSA63J-563X	MG RESISTOR	56kΩ 1/16W J	
R7015	NRSA63J-102X	MG RESISTOR	1kΩ 1/16W J		R9212	NRSA63J-104X	MG RESISTOR	100kΩ 1/16W J	
R7016	NRSA63J-102X	MG RESISTOR	1kΩ 1/16W J		R9213	NRSA63J-333X	MG RESISTOR	33kΩ 1/16W J	
R7024	NRSA63J-101X	MG RESISTOR	100Ω 1/16W J		R9214	NRSA63J-333X	MG RESISTOR	33kΩ 1/16W J	
R7025	NRSA63J-101X	MG RESISTOR	100Ω 1/16W J		R9215	NRSA63J-562X	MG RESISTOR	5.6kΩ 1/16W J	
R7037	NRSA63J-101X	MG RESISTOR	100Ω 1/16W J		R9216	NRSA63J-103X	MG RESISTOR	10kΩ 1/16W J	
R7038	NRSA63J-101X	MG RESISTOR	100Ω 1/16W J		R9217	NRSA63J-122X	MG RESISTOR	1.2kΩ 1/16W J	
R7041	NRSA63J-0R0X	MG RESISTOR	0Ω 1/16W J		R9218	NRSA63J-822X	MG RESISTOR	8.2kΩ 1/16W J	
R7042	NRSA63J-0R0X	MG RESISTOR	0Ω 1/16W J		R9219	NRSA63J-681X	MG RESISTOR	680Ω 1/16W J	
R7047	NRSA63J-102X	MG RESISTOR	1kΩ 1/16W J		R9220	NRSA63J-124X	MG RESISTOR	120kΩ 1/16W J	
R7048	NRSA63J-0R0X	MG RESISTOR	0Ω 1/16W J		R9221	NRSA63J-333X	MG RESISTOR	33kΩ 1/16W J	
R7049	NRSA63J-102X	MG RESISTOR	1kΩ 1/16W J		R9221	NRSA63J-470X	MG RESISTOR	470Ω 1/16W J	
R7050	NRSA63J-102X	MG RESISTOR	1kΩ 1/16W J		R9242	NRSA63J-471X	MG RESISTOR	470Ω 1/16W J	
R7058	NRSA63J-102X	MG RESISTOR	1kΩ 1/16W J		R9243	NRSA63J-333X	MG RESISTOR	33kΩ 1/16W J	
R7059	NRSA63J-102X	MG RESISTOR	1kΩ 1/16W J		R9244	NRSA63J-333X	MG RESISTOR	33kΩ 1/16W J	
R7066	NRSA63J-222X	MG RESISTOR	2.2kΩ 1/16W J		R9245	NRSA63J-151X	MG RESISTOR	150Ω 1/16W J	
R7077	NRSA63J-102X	MG RESISTOR	1kΩ 1/16W J		R9246	NRSA63J-100X	MG RESISTOR	10Ω 1/16W J	
R7088	NRSA63J-221X	MG RESISTOR	220Ω 1/16W J		R9251	NRSA02J-100X	MG RESISTOR	10Ω 1/10W J	
R7089	NRSA63J-101X	MG RESISTOR	100Ω 1/16W J		R9252	NRSA02J-100X	MG RESISTOR	10Ω 1/10W J	
R7095	NRSA63J-332X	MG RESISTOR	3.3kΩ 1/16W J		R9253	NRSA63J-0R0X	MG RESISTOR	0Ω 1/16W J	
R7096	NRSA63J-102X	MG RESISTOR	1kΩ 1/16W J		R9254	NRSA63J-472X	MG RESISTOR	4.7kΩ 1/16W J	
R7102	NRSA63J-473X	MG RESISTOR	47kΩ 1/16W J		R9255	NRSA63J-100X	MG RESISTOR	10Ω 1/16W J	
R7105	NRSA63J-102X	MG RESISTOR	1kΩ 1/16W J		R9301	NRSA63J-681X	MG RESISTOR	680Ω 1/16W J	
R7106	NRSA63J-102X	MG RESISTOR	1kΩ 1/16W J		R9302	NRSA63J-223X	MG RESISTOR	22kΩ 1/16W J	
R7115	NRSA63J-102X	MG RESISTOR	1kΩ 1/16W J		R9401	NRSA63J-471X	MG RESISTOR	470Ω 1/16W J	
R7116	NRSA63J-102X	MG RESISTOR	1kΩ 1/16W J		R9402	NRSA63J-471X	MG RESISTOR	470Ω 1/16W J	
R7117	NRSA63J-102X	MG RESISTOR	1kΩ 1/16W J		R9451	NRSA63J-102X	MG RESISTOR	1kΩ 1/16W J	
R7119	NRSA63J-222X	MG RESISTOR	2.2kΩ 1/16W J		R9453	NRSA63J-103X	MG RESISTOR	10kΩ 1/16W J	
R7124	NRSA63J-101X	MG RESISTOR	100Ω 1/16W J		R9454	NRSA63J-472X	MG RESISTOR	4.7kΩ 1/16W J	
R7125	NRSA63J-102X	MG RESISTOR	1kΩ 1/16W J		R9455	NRSA63J-103X	MG RESISTOR	10kΩ 1/16W J	
R7126	NRSA63J-102X	MG RESISTOR	1kΩ 1/16W J		R9461	NRSA63J-563X	MG RESISTOR	56kΩ 1/16W J	
R7127	NRSA63J-102X	MG RESISTOR	1kΩ 1/16W J		R9462	NRSA63J-183X	MG RESISTOR	18kΩ 1/16W J	
R7128	NRSA63J-101X	MG RESISTOR	100Ω 1/16W J		R9501	NRSA63J-392X	MG RESISTOR	3.9kΩ 1/16W J	
R7201	NRSA63J-473X	MG RESISTOR	47kΩ 1/16W J		R9502	NRSA63J-682X	MG RESISTOR	6.8kΩ 1/16W J	
R7202	NRSA63J-473X	MG RESISTOR	47kΩ 1/16W J		R9503	NRSA63J-103X	MG RESISTOR	10kΩ 1/16W J	
R7203	NRSA63J-473X	MG RESISTOR	47kΩ 1/16W J		R9504	NRSA63J-223X	MG RESISTOR	22kΩ 1/16W J	
R7204	NRSA63J-473X	MG RESISTOR	47kΩ 1/16W J		R9505	NRSA63J-101X	MG RESISTOR	100Ω 1/16W J	
R7205	NRSA63J-473X	MG RESISTOR	47kΩ 1/16W J		R9506	NRSA63J-683X	MG RESISTOR	68kΩ 1/16W J	
R7206	NRSA63J-223X	MG RESISTOR	22kΩ 1/16W J		R9507	NRSA63J-392X	MG RESISTOR	3.9kΩ 1/16W J	
R7207	NRSA63J-473X	MG RESISTOR	47kΩ 1/16W J		R9508	NRSA63J-682X	MG RESISTOR	6.8kΩ 1/16W J	
R7208	NRSA63J-473X	MG RESISTOR	47kΩ 1/16W J		R9509	NRSA63J-223X	MG RESISTOR	22kΩ 1/16W J	
R7209	NRSA63J-472X	MG RESISTOR	4.7kΩ 1/16W J		R9510	NRSA63J-101X	MG RESISTOR	100Ω 1/16W J	
R7210	NRSA63J-472X	MG RESISTOR	4.7kΩ 1/16W J		R9511	NRSA63J-683X	MG RESISTOR	68kΩ 1/16W J	
R7211	NRSA63J-472X	MG RESISTOR	4.7kΩ 1/16W J		R9512	NRSA63J-223X	MG RESISTOR	22kΩ 1/16W J	
R7212	NRSA63J-103X	MG RESISTOR	10kΩ 1/16W J		R9601	NRSA63J-222X	MG RESISTOR	2.2kΩ 1/16W J	
R7213	NRSA63J-103X	MG RESISTOR	10kΩ 1/16W J		R9602	NRSA63J-102X	MG RESISTOR	1kΩ 1/16W J	
R7214	NRSA63J-473X	MG RESISTOR	47kΩ 1/16W J	J	R9701	NRSA63J-271X	MG RESISTOR	270Ω 1/16W J	

Symbol No.	Part No.	Part Name	Description	Local
R9702	NRSA63J-471X	MG RESISTOR	470Ω 1/16W J	
R9703	NRSA63J-0R0X	MG RESISTOR	0Ω 1/16W J	
R9704	NRSA63J-103X	MG RESISTOR	10kΩ 1/16W J	
R9751	NRSA63J-391X	MG RESISTOR	390Ω 1/16W J	E,EE
R9752	NRSA63J-821X	MG RESISTOR	820Ω 1/16W J	E,EE
R9753	NRSA63J-223X	MG RESISTOR	22kΩ 1/16W J	E,EE
R9754	NRSA63J-223X	MG RESISTOR	22kΩ 1/16W J	E,EE
R9755	NRSA63J-103X	MG RESISTOR	10kΩ 1/16W J	E,EE
R9756	NRSA63J-101X	MG RESISTOR	100Ω 1/16W J	E,EE
R9801	NRSA63J-102X	MG RESISTOR	1kΩ 1/16W J	
RA201	NRZ0065-301X	MG.RES C.M	300Ω	
RA202	NRZ0065-301X	MG.RES C.M	300Ω	
RA701	NRZ0065-102X	NET RESISTOR	1kΩ 1/16W J	
RA703	NRZ0065-102X	NET RESISTOR	1kΩ 1/16W J	
RA704	NRZ0065-102X	NET RESISTOR	1kΩ 1/16W J	
RA705	NRZ0065-102X	NET RESISTOR	1kΩ 1/16W J	
RA706	NRZ0065-102X	NET RESISTOR	1kΩ 1/16W J	
RA707	NRZ0065-102X	NET RESISTOR	1kΩ 1/16W J	
RA708	NRZ0065-151X	NET RESISTOR	150Ω	
RA709	NRZ0065-102X	NET RESISTOR	1kΩ 1/16W J	
RA710	NRZ0065-102X	NET RESISTOR	1kΩ 1/16W J	
RA951	NRZ0065-392X	RESISTOR ARRAY	3.9kΩ	
L1001	NQL093K-R22X	COIL	0.22uH K	
L1002	NQL093K-4R7X	COIL	4.7uH K	
L1003	NQL093K-R47X	COIL	0.47uH K	
L1004	NQL093K-R47X	COIL	0.47uH K	
L1005	NQL093K-1R8X	COIL	1.8uH K	
L1101	NQL114K-561X	P COIL	560uH K	
L1102	NQL114K-561X	P COIL	560uH K	
L1402	NQL093K-R22X	COIL	0.22uH K	J,E
L2001	NQL79GM-470X	COIL	47uH M	
L2101	NQL79GM-470X	COIL	47uH M	
L2501	NQL79GM-470X	COIL	47uH M	
L2601	NQL79GM-470X	COIL	47uH M	
L7001	NQR0022-005X	FERRITE BEADS		
△ L9001	QQR0703-001	CHOKE COIL		
L9151	NQL79GM-100X	COIL	10uH M	
L9241	NQLD7EM-470X	COIL	47uH M	
L9242	NQL79GM-220X	COIL	22uH M	
L9251	NQL79GM-220X	COIL	22uH M	
T1001	QQR1813-001	COIL		
T1401	QQR1813-001	COIL		J,E
BZ951	QAN0023-001Z	BUZZER		
CN731	QGA1002C1-08X	CONNECTOR	W-B (1-8)	
△ CN901	QNZ0090-001	CAR CONNECTOR		
CN902	QNZ0095-001	CONNECTOR		
CN903	QGA2015F1-24	CONNECTOR	W-B (1-24)	
CN961	QGA1002C1-06X	CONNECTOR	W-B (1-6)	
CN981	QGB1004K2-30W	CONNECTOR	B-B (1-30)	
CN982	QGF0523F2-30W	CONNECTOR	FFC/FPC (1-30)	
CN983	QGF0534F3-14X	CONNECTOR	FFC/FPC (1-14)	
△ F9101	NMFZ018-2R5X-E	FUSE	2.5A	
△ F9102	NMFZ018-4R0X-E	FUSE	4A	
J1001	QNB0190-001	ANT TERMINAL		
K9801	NQR0251-001X	FERRITE BEADS		
K9802	NQR0251-001X	FERRITE BEADS		
K9803	NQR0251-001X	FERRITE BEADS		
K9804	NRSA63J-0R0X	MG RESISTOR	0Ω 1/16W J	
K9805	NRSA63J-0R0X	MG RESISTOR	0Ω 1/16W J	
K9806	NRSA63J-0R0X	MG RESISTOR	0Ω 1/16W J	
K9807	NRSA63J-0R0X	MG RESISTOR	0Ω 1/16W J	
PP961	QZW0010-001	STYLE PIN		
TH721	NAD0028-103X	N THERMISTOR	10kΩ	
WR981	QJK062-040704-E	SIN CR C-B WIRE		
X1101	QAX0928-001Z	CRYSTAL		
X1201	QAX0263-001Z	CRYSTAL	4.332MHz	EE
X1501	QAX0928-001Z	CRYSTAL		J,E
X1601	QAX0263-001Z	CRYSTAL	4.332MHz	J,E
X7301	QAX0401-001	CRYSTAL	32.768KHz	
X7302	QAX0932-001Z	CRYSTAL		

Sub board

Symbol No.	Part No.	Part Name	Description	Local
△ IC601	BD9781HFP-W	IC		
IC602	TC7SET08FU-J-X	IC(DIGITAL)		
△ IC603	BD9781HFP-W	IC		
△ IC605	BD9781HFP-W	IC		
IC606	TC7SET08FU-J-X	IC(DIGITAL)		
IC607	NJM2886DL3-33-X	IC		
IC608	TOTX177L	OPT TRANSMITTER		
△ IC651	BD9781HFP-W	IC		
△ IC652	BD9781HFP-W	IC		
IC653	TC7SET08FU-J-X	IC(DIGITAL)		
IC654	AD7920BKX-X	A/D CONVETER		E,EE
IC656	S-1112B2JMC-W	IC		
IC657	S-1112B2JMC-W	IC		
IC658	S-1112B15MC-W	IC		
IC659	NAU0005-001X	RF MODULE		
Q6105	RSQ025P03-W	TRANSISTOR		
Q6106	RT1N141C-X	DIGI TRANSISTOR		
Q6106 or UN2211-X		TRANSISTOR		
Q6106 or DTC114EKA-X		DIGI TRANSISTOR		
Q6107	2SC3928A/QR/-X	TRANSISTOR		
Q6107 or 2SD601A/QR/-X		TRANSISTOR		
Q6107 or 2SC2412K/R/-X		TRANSISTOR		
Q6201	2SD1994A/RS/-T	TRANSISTOR		
Q6202	RT1P141C-X	DIGI TRANSISTOR		
Q6202 or UN2111-X		TRANSISTOR		
Q6202 or DTA114EKA-X		DIGI TRANSISTOR		
Q6203	RT1N141C-X	DIGI TRANSISTOR		
Q6203 or UN2211-X		TRANSISTOR		
Q6203 or DTC114EKA-X		DIGI TRANSISTOR		
Q6501	RT1P141C-X	DIGI TRANSISTOR		
Q6601	ISA1530AC1/QR/X	TRANSISTOR		
Q6602	ISA1530AC1/QR/X	TRANSISTOR		
Q6603	ISA1530AC1/QR/X	TRANSISTOR		
Q6701	RTR020P02-X	MOS FET		
Q6704	2SD2704K-X	TRANSISTOR		
D6003	MA22D23-X	SB DIODE		
D6004	MA22D23-X	SB DIODE		
D6101	MA22D23-X	SB DIODE		
D6102	RB051L-40-X	SB DIODE		
D6103	MA22D23-X	SB DIODE		
D6104	RB051L-40-X	SB DIODE		
D6201	MA8120/M/-X	Z DIODE		
D6202	MA111-X	SI DIODE		
D6203	MA111-X	SI DIODE		
D6204	MA111-X	SI DIODE		
D6501	MA22D23-X	SB DIODE		
D6502	RB051L-40-X	SB DIODE		
D6503	MA22D23-X	SB DIODE		
D6504	RB051L-40-X	SB DIODE		
D6505	MA111-X	SI DIODE		
D6506	MA111-X	SI DIODE		
C6001	QEZ0850-157Z	E CAPACITOR	150uF	
C6002	NCB31HK-103X	C CAPACITOR	0.01uF 50V K	
C6003	QETN1HM-106Z	E CAPACITOR	10uF 50V M	
C6004	NCF21HZ-105X	C CAPACITOR	1uF 50V Z	
C6005	NCB31HK-102X	C CAPACITOR	1000pF 50V K	
C6006	NCB31HK-104X	C CAPACITOR	0.1uF 50V K	
C6007	NCB31HK-472X	C CAPACITOR	4700pF 50V K	
C6008	NCB31HK-103X	C CAPACITOR	0.01uF 50V K	
C6009	NCB31HK-102X	C CAPACITOR	1000pF 50V K	
C6010	NCB31HK-104X	C CAPACITOR	0.1uF 50V K	
C6014	QEZ0595-477Z	E CAPACITOR	470uF 25V M	
C6101	NCB31HK-472X	C CAPACITOR	4700pF 50V K	
C6102	NCB31HK-104X	C CAPACITOR	0.1uF 50V K	
C6103	QETN1HM-106Z	E CAPACITOR	10uF 50V M	
C6104	NCB31HK-103X	C CAPACITOR	0.01uF 50V K	
C6105	QETN1EM-476Z	E CAPACITOR	47uF 25V M	
C6106	NCB31HK-104X	C CAPACITOR	0.1uF 50V K	
C6107	NCB31HK-103X	C CAPACITOR	0.01uF 50V K	
C6108	NCB31HK-104X	C CAPACITOR	0.1uF 50V K	
C6109	QETN1EM-476Z	E CAPACITOR	47uF 25V M	

Block No. [0][2]

△ Symbol No.	Part No.	Part Name	Description	Local	△ Symbol No.	Part No.	Part Name	Description	Local
C6110	NCB31HK-103X	C CAPACITOR	0.01uF 50V K		R6007	NRSA63J-391X	MG RESISTOR	390Ω 1/16W J	
C6111	QETN1HM-106Z	E CAPACITOR	10uF 50V M		R6008	NRSA63J-302X	MG RESISTOR	3kΩ 1/16W J	
C6112	NCB31HK-104X	C CAPACITOR	0.1uF 50V K		R6009	NRSA63F-393X	MG RESISTOR	39kΩ 1/16W F	
C6113	NCB31HK-472X	C CAPACITOR	4700pF 50V K		R6011	NRSA63J-0R0X	MG RESISTOR	0Ω 1/16W J	
C6114	NCB31HK-103X	C CAPACITOR	0.01uF 50V K		R6012	NRSA63J-563X	MG RESISTOR	56kΩ 1/16W J	
C6115	NCB31AK-334X	C CAPACITOR	0.33uF 10V K		R6013	NRSA63J-823X	MG RESISTOR	82kΩ 1/16W J	
C6117	NCB21AK-225X	C CAPACITOR	2.2uF 10V K		R6018	NRSA63J-333X	MG RESISTOR	33kΩ 1/16W J	
C6118	NCB31HK-104X	C CAPACITOR	0.1uF 50V K		R6101	NRSA63F-123X	MG RESISTOR	12kΩ 1/16W F	
C6119	NCB31HK-104X	C CAPACITOR	0.1uF 50V K		R6102	NRSA63J-333X	MG RESISTOR	33kΩ 1/16W J	
C6205	NCB31HK-102X	C CAPACITOR	1000pF 50V K		R6103	NRSA63J-823X	MG RESISTOR	82kΩ 1/16W J	
C6206	NCB31HK-102X	C CAPACITOR	1000pF 50V K		R6105	NRSA63J-332X	MG RESISTOR	3.3kΩ 1/16W J	
C6207	QETN1EM-476Z	E CAPACITOR	47uF 25V M		R6107	NRSA63F-123X	MG RESISTOR	12kΩ 1/16W F	
C6208	NCB31CK-104X	C CAPACITOR	0.1uF 16V K		R6108	NRSA63J-333X	MG RESISTOR	33kΩ 1/16W J	
C6210	NCB31HK-102X	C CAPACITOR	1000pF 50V K	J	R6109	NRSA63J-823X	MG RESISTOR	82kΩ 1/16W J	
C6212	QETN1HM-106Z	E CAPACITOR	10uF 50V M		R6110	NRSA63J-332X	MG RESISTOR	3.3kΩ 1/16W J	
C6213	QETN1HM-106Z	E CAPACITOR	10uF 50V M		R6112	NRS181J-1R5X	MG RESISTOR	1.5Ω 1/8W J	
C6214	QETN1HM-106Z	E CAPACITOR	10uF 50V M		R6113	NRS181J-1R5X	MG RESISTOR	1.5Ω 1/8W J	
C6215	NCB31HK-103X	C CAPACITOR	0.01uF 50V K		R6114	NRS181J-1R5X	MG RESISTOR	1.5Ω 1/8W J	
C6216	NCB31HK-103X	C CAPACITOR	0.01uF 50V K		R6115	NRS181J-1R5X	MG RESISTOR	1.5Ω 1/8W J	
C6219	NCB31CK-105X	C CAPACITOR	1uF 16V K		R6116	NRSA63F-823X	MG RESISTOR	82kΩ 1/16W F	
C6220	NCB31CK-105X	C CAPACITOR	1uF 16V K		R6117	NRSA63F-473X	MG RESISTOR	47kΩ 1/16W F	
C6221	NCB31CK-105X	C CAPACITOR	1uF 16V K		R6118	NRS181J-1R5X	MG RESISTOR	1.5Ω 1/8W J	
C6222	NCB31CK-105X	C CAPACITOR	1uF 16V K		R6119	NRS181J-1R5X	MG RESISTOR	1.5Ω 1/8W J	
C6223	NCB31CK-105X	C CAPACITOR	1uF 16V K		R6124	NRSA63J-103X	MG RESISTOR	10kΩ 1/16W J	
C6224	NCB31CK-105X	C CAPACITOR	1uF 16V K		R6133	NRSA63J-0R0X	MG RESISTOR	0Ω 1/16W J	
C6225	NCB31CK-105X	C CAPACITOR	1uF 16V K		R6139	NRSA63J-0R0X	MG RESISTOR	0Ω 1/16W J	
C6226	NCB31CK-105X	C CAPACITOR	1uF 16V K		R6140	NRSA63J-122X	MG RESISTOR	1.2kΩ 1/16W J	
C6227	NCB31CK-105X	C CAPACITOR	1uF 16V K		R6141	NRSA63J-681X	MG RESISTOR	680Ω 1/16W J	
C6228	NCB31CK-105X	C CAPACITOR	1uF 16V K		R6201	NRSA63J-220X	MG RESISTOR	22Ω 1/16W J	
C6229	NCB31CK-105X	C CAPACITOR	1uF 16V K		R6202	NRSA63J-220X	MG RESISTOR	22Ω 1/16W J	
C6230	NCB31CK-105X	C CAPACITOR	1uF 16V K		R6203	NRSA63J-471X	MG RESISTOR	470Ω 1/16W J	
C6231	NCB31CK-105X	C CAPACITOR	1uF 16V K		R6204	NRSA63J-473X	MG RESISTOR	47kΩ 1/16W J	
C6232	NCB31CK-105X	C CAPACITOR	1uF 16V K		R6205	NRSA63J-473X	MG RESISTOR	47kΩ 1/16W J	
C6501	NCJ11EK-106X-R	C CAPACITOR	10uF 25V		R6206	NRSA63J-473X	MG RESISTOR	47kΩ 1/16W J	
C6503	QEZ0850-157Z	E CAPACITOR	150uF		R6207	NRSA63J-473X	MG RESISTOR	47kΩ 1/16W J	
C6504	NCB31HK-104X	C CAPACITOR	0.1uF 50V K		R6212	NRSA63J-332X	MG RESISTOR	3.3kΩ 1/16W J	
C6505	NCB31HK-472X	C CAPACITOR	4700pF 50V K		R6213	NRSA63J-181X	MG RESISTOR	180Ω 1/16W J	
C6506	NCB31HK-104X	C CAPACITOR	0.1uF 50V K		R6214	NRSA63J-181X	MG RESISTOR	180Ω 1/16W J	
C6508	NCJ11EK-106X-R	C CAPACITOR	10uF 25V		R6215	NRSA63J-181X	MG RESISTOR	180Ω 1/16W J	
C6509	QEZ0850-157Z	E CAPACITOR	150uF		R6216	NRSA63J-101X	MG RESISTOR	100Ω 1/16W J	
C6510	NCB31HK-104X	C CAPACITOR	0.1uF 50V K		R6217	NRSA63J-181X	MG RESISTOR	180Ω 1/16W J	
C6511	NCB31HK-472X	C CAPACITOR	4700pF 50V K		R6218	NRSA63J-181X	MG RESISTOR	180Ω 1/16W J	
C6512	NCB31HK-104X	C CAPACITOR	0.1uF 50V K		R6219	NRSA63J-181X	MG RESISTOR	180Ω 1/16W J	
C6513	NCB31HK-103X	C CAPACITOR	0.01uF 50V K		R6220	NRSA63J-0R0X	MG RESISTOR	0Ω 1/16W J	
C6514	NCB31HK-104X	C CAPACITOR	0.1uF 50V K		R6221	NRSA63J-103X	MG RESISTOR	10kΩ 1/16W J	
C6515	NCB31HK-104X	C CAPACITOR	0.1uF 50V K		R6222	NRSA63J-562X	MG RESISTOR	5.6kΩ 1/16W J	
C6602	NCB31HK-103X	C CAPACITOR	0.01uF 50V K	E,EE	R6223	NRSA63J-0R0X	MG RESISTOR	0Ω 1/16W J	J
C6604	NCB31HK-104X	C CAPACITOR	0.1uF 50V K	E,EE	R6225	NRSA63J-472X	MG RESISTOR	4.7kΩ 1/16W J	
C6605	QETN1HM-106Z	E CAPACITOR	10uF 50V M	E,EE	R6227	NRSA63J-2R2X	MG RESISTOR	2.2Ω 1/16W J	
C6606	NCB31HK-103X	C CAPACITOR	0.01uF 50V K	E,EE	R6228	NRSA63J-0R0X	MG RESISTOR	0Ω 1/16W J	
C6607	QETN1HM-106Z	E CAPACITOR	10uF 50V M	E,EE	R6501	NRSA63F-123X	MG RESISTOR	12kΩ 1/16W F	
C6609	NCB31HK-103X	C CAPACITOR	0.01uF 50V K		R6502	NRSA63J-333X	MG RESISTOR	33kΩ 1/16W J	
C6613	NCB31HK-104X	C CAPACITOR	0.1uF 50V K		R6503	NRSA63J-823X	MG RESISTOR	82kΩ 1/16W J	
C6614	NCB31HK-104X	C CAPACITOR	0.1uF 50V K		R6504	NRSA63J-562X	MG RESISTOR	5.6kΩ 1/16W J	
C6615	NCB31HK-104X	C CAPACITOR	0.1uF 50V K		R6506	NRSA63F-123X	MG RESISTOR	12kΩ 1/16W F	
C6622	NCB31CK-105X	C CAPACITOR	1uF 16V K		R6507	NRSA63J-333X	MG RESISTOR	33kΩ 1/16W J	
C6701	QERF1CM-476Z	E CAPACITOR	47uF 16V M		R6508	NRSA63J-823X	MG RESISTOR	82kΩ 1/16W J	
C6702	QETN1EM-476Z	E CAPACITOR	47uF 25V M		R6509	NRSA63J-202X	MG RESISTOR	2kΩ 1/16W J	
C6703	NCB31HK-472X	C CAPACITOR	4700pF 50V K		R6511	NRSA63F-223X	MG RESISTOR	22kΩ 1/16W F	
C6704	NCB31HK-472X	C CAPACITOR	4700pF 50V K		R6512	NRSA63F-473X	MG RESISTOR	47kΩ 1/16W F	
C6705	NDC31HJ-120X	C CAPACITOR	12pF 50V J		R6601	NRSA63J-101X	MG RESISTOR	100Ω 1/16W J	
C6710	NDCA1HJ-4R0W	C CAPACITOR	4pF 50V J		R6602	NRSA63J-101X	MG RESISTOR	100Ω 1/16W J	
C6711	NCB21AK-225X	C CAPACITOR	2.2uF 10V K		R6603	NRSA63J-0R0X	MG RESISTOR	0Ω 1/16W J	
C6712	NDC31HJ-471X	C CAPACITOR	470pF 50V J		R6605	NRSA63J-301X	MG RESISTOR	300Ω 1/16W J	
C6713	NCB21AK-225X	C CAPACITOR	2.2uF 10V K		R6606	NRSA63J-222X	MG RESISTOR	2.2kΩ 1/16W J	
C6714	NCB21AK-225X	C CAPACITOR	2.2uF 10V K		R6607	NRSA63J-101X	MG RESISTOR	100Ω 1/16W J	
C6715	NCB21AK-225X	C CAPACITOR	2.2uF 10V K		R6608	NRSA63J-0R0X	MG RESISTOR	0Ω 1/16W J	
C6716	NCB21AK-225X	C CAPACITOR	2.2uF 10V K		R6609	NRSA63J-301X	MG RESISTOR	300Ω 1/16W J	
C6717	NCB31CK-105X	C CAPACITOR	1uF 16V K		R6610	NRSA63J-222X	MG RESISTOR	2.2kΩ 1/16W J	
C6718	NCB21AK-225X	C CAPACITOR	2.2uF 10V K		R6611	NRSA63J-101X	MG RESISTOR	100Ω 1/16W J	
C6719	NCB31CK-105X	C CAPACITOR	1uF 16V K		R6612	NRSA63J-0R0X	MG RESISTOR	0Ω 1/16W J	
C6720	NCB21AK-225X	C CAPACITOR	2.2uF 10V K		R6613	NRSA63J-301X	MG RESISTOR	300Ω 1/16W J	
C6721	NCB31CK-105X	C CAPACITOR	1uF 16V K		R6615	NRSA63J-222X	MG RESISTOR	2.2kΩ 1/16W J	
C6722	NQR0436-001X	FERRITE BEADS			R6617	NRSA63J-101X	MG RESISTOR	100Ω 1/16W J	
C6723	NQR0436-001X	FERRITE BEADS			R6618	NRSA63J-101X	MG RESISTOR	100Ω 1/16W J	E,EE
C6725	NCB31CK-105X	C CAPACITOR	1uF 16V K		R6619	NRSA63J-101X	MG RESISTOR	100Ω 1/16W J	E,EE
R6006	NRSA63F-103X	MG RESISTOR	10kΩ 1/16W F		R6620	NRSA63J-101X	MG RESISTOR	100Ω 1/16W J	E,EE
					R6637	NRSA63J-0R0X	MG RESISTOR	0Ω 1/16W J	E,EE

Symbol No.	Part No.	Part Name	Description	Local
R6638	NRSA63J-0R0X	MG RESISTOR	0Ω 1/16W J	E,EE
R6639	NRSA63J-0R0X	MG RESISTOR	0Ω 1/16W J	E,EE
R6641	NRSA63J-103X	MG RESISTOR	10kΩ 1/16W J	J
R6643	NRSA63J-0R0X	MG RESISTOR	0Ω 1/16W J	
R6646	NRSA63J-0R0X	MG RESISTOR	0Ω 1/16W J	
R6648	NRSA63J-0R0X	MG RESISTOR	0Ω 1/16W J	
R6702	NRSA02J-220X	MG RESISTOR	22Ω 1/10W J	
R6703	NRSA63J-103X	MG RESISTOR	10kΩ 1/16W J	
R6705	NRSA63J-103X	MG RESISTOR	10kΩ 1/16W J	
R6707	NRSA63J-222X	MG RESISTOR	2.2kΩ 1/16W J	
R6708	NRSA63J-104X	MG RESISTOR	100kΩ 1/16W J	
R6709	NRSA63J-104X	MG RESISTOR	100kΩ 1/16W J	
R6710	NRSA63J-104X	MG RESISTOR	100kΩ 1/16W J	
R6711	NRSA63J-472X	MG RESISTOR	4.7kΩ 1/16W J	
R6712	NRSA63J-273X	MG RESISTOR	27kΩ 1/16W J	
R6715	NRSA63J-101X	MG RESISTOR	100Ω 1/16W J	
RA601	NRZ0065-151X	NET RESISTOR	150Ω	
RA602	NRZ0065-151X	NET RESISTOR	150Ω	
RA603	NRZ0065-151X	NET RESISTOR	150Ω	
RA604	NRZ0065-151X	NET RESISTOR	150Ω	
RA605	NRZ0065-151X	NET RESISTOR	150Ω	
RA651	NRZ0065-151X	NET RESISTOR	150Ω	
RA652	NRZ0065-151X	NET RESISTOR	150Ω	
RA653	NRZ0065-151X	NET RESISTOR	150Ω	
RA654	NRZ0065-151X	NET RESISTOR	150Ω	
L6001	NQR0536-001X	CHOKE COIL		
L6002	NQLC8CM-470X	COIL	47uH M	
L6101	NQLC8CM-470X	COIL	47uH M	
L6102	NQLC8CM-470X	COIL	47uH M	
L6103	NQL79GM-220X	COIL	22uH M	
L6105	NQL79GM-220X	COIL	22uH M	
L6106	NQL79GM-220X	COIL	22uH M	
L6107	NQL79GM-220X	COIL	22uH M	
L6201	NQL79GM-220X	COIL	22uH M	
L6501	NQLC8CM-470X	COIL	47uH M	
L6502	NQLC8CM-470X	COIL	47uH M	
L6503	NQL79GM-220X	COIL	22uH M	
L6601	NQL79GM-470X	COIL	47uH M	E,EE
L6602	NQL79GM-220X	COIL	22uH M	
L6603	NQL79GM-470X	COIL	47uH M	E,EE
L6701	NQL79GM-220X	COIL	22uH M	
L6702	NQR0201-005X	FERRITE BEADS		
L6703	NQR0201-005X	FERRITE BEADS		
L6704	NQL10AJ-39NX	COIL	39nH J	
L6705	NQL10A3-6N2X	COIL	6.2nH 3	
CN601	QGA2001F1-05	CONNECTOR	W-B (1-5)	
CN602	QGF0534F3-60X	CONNECTOR	FFC/FPC (1-60)	
CN603	NNZ0202-001X	SD CARD CONNE		
CN604	QGA2001F1-02	CONNECTOR	W-B (1-2)	
CN605	QGF0534F3-30X	CONNECTOR	FFC/FPC (1-30)	
CN606	QGB1004K2-12W	CONNECTOR	B-B (1-12)	
CN607	QGA2501F1-04	CONNECTOR	W-B (1-4)	
CN651	QGB0812L2-40X	CONNECTOR	B-B (1-40)	
CN652	NAL0066-001X	GYRO SENSOR		E,EE
CN653	QGF0523F2-14W	CONNECTOR	FFC/FPC (1-14)	
CN654	QAM0953-001	CAR CABLE		
K6201	NRSA63J-0R0X	MG RESISTOR	0Ω 1/16W J	
K6202	NQR0022-002X	FERRITE BEADS		
K6203	NQR0022-002X	FERRITE BEADS		
K6204	NQR0022-002X	FERRITE BEADS		
K6205	NQR0022-002X	FERRITE BEADS		
K6206	NQR0022-002X	FERRITE BEADS		
K6207	NQR0022-002X	FERRITE BEADS		
K6208	NQR0022-002X	FERRITE BEADS		
K6209	NQR0022-002X	FERRITE BEADS		
K6210	NQR0022-005X	FERRITE BEADS		
K6211	NQR0022-005X	FERRITE BEADS		
K6701	NQR0022-005X	FERRITE BEADS		
PP601	QZW0010-001	STYLE PIN		
PP602	QZW0010-001	STYLE PIN		

Conn board

Symbol No.	Part No.	Part Name	Description	Local
IC801	NJM2886DL3-35-X	IC		
IC851	CPI-210/BC/-X	PHOTO COUPLER		
Q8001	CPT-184S-CTS-X	PHOTO TRANSISTOR		
Q8002	2SC3928A/QR/-X	TRANSISTOR		
Q8002	or 2SD601A/QR/-X	TRANSISTOR		
Q8002	or 2SC2412K/R/-X	TRANSISTOR		
Q8005	RT1N141C-X	DIGI TRANSISTOR		
Q8005	or UN2211-X	TRANSISTOR		
Q8005	or DTC114EKA-X	DIGI TRANSISTOR		
Q8010	RT1N141C-X	DIGI TRANSISTOR		
Q8010	or UN2211-X	TRANSISTOR		
Q8010	or DTC114EKA-X	DIGI TRANSISTOR		
Q8012	2SC3928A/QR/-X	TRANSISTOR		
Q8012	or 2SD601A/QR/-X	TRANSISTOR		
Q8012	or 2SC2412K/R/-X	TRANSISTOR		
Q8015	RSQ025P03-W	TRANSISTOR		
Q8017	RSQ025P03-W	TRANSISTOR		
Q8501	2SC3928A/QR/-X	TRANSISTOR		
Q8501	or 2SD601A/QR/-X	TRANSISTOR		
Q8501	or 2SC2412K/R/-X	TRANSISTOR		
Q8801	RT1P141C-X	DIGI TRANSISTOR		
Q8801	or UN2111-X	TRANSISTOR		
Q8801	or DTA114EKA-X	DIGI TRANSISTOR		
Q8802	ISA1530AC1/QR/X	TRANSISTOR		
Q8803	RT1N141C-X	DIGI TRANSISTOR		
Q8803	or UN2211-X	TRANSISTOR		
Q8803	or DTC114EKA-X	DIGI TRANSISTOR		
Q8804	ISA1530AC1/QR/X	TRANSISTOR		
Q8805	RT1N141C-X	DIGI TRANSISTOR		
Q8805	or UN2211-X	TRANSISTOR		
Q8805	or DTC114EKA-X	DIGI TRANSISTOR		
D8003	LSQ971/KL/-X	LED	GREEN/RED	
D8004	LSQ971/KL/-X	LED	GREEN/RED	
D8006	MA111-X	SI DIODE		
D8007	CL-2011R-XTS-X	IR LED		
D8011	MA8200/M/-X	Z DIODE		
D8012	MA8051/M/-X	Z DIODE		
D8013	MA8051/M/-X	Z DIODE		
D8014	MA8062/M/-X	Z DIODE		
D8015	MA8051/M/-X	Z DIODE		
D8016	MA8051/M/-X	Z DIODE		
D8017	MA8051/M/-X	Z DIODE		
D8018	MA8051/M/-X	Z DIODE		
D8019	MA8051/M/-X	Z DIODE		
D8020	MA8051/M/-X	Z DIODE		
D8021	MA8051/M/-X	Z DIODE		
D8022	MA8051/M/-X	Z DIODE		
D8023	MA8051/M/-X	Z DIODE		
D8024	MA8051/M/-X	Z DIODE		
D8026	MA8051/M/-X	Z DIODE		
D8027	MA8051/M/-X	Z DIODE		
D8028	MA8051/M/-X	Z DIODE		
D8029	MA8051/M/-X	Z DIODE		
D8030	MA8051/M/-X	Z DIODE		
D8031	MA8051/M/-X	Z DIODE		
D8032	MA8051/M/-X	Z DIODE		
D8033	MA8051/M/-X	Z DIODE		
D8034	MA8051/M/-X	Z DIODE		
D8035	MA8150/M/-X	Z DIODE		
D8036	MA8062/M/-X	Z DIODE		
D8037	MA8200/M/-X	Z DIODE		
D8801	MC2838-X	DIODE		
D8810	MA111-X	SI DIODE		
D8811	MA8200/M/-X	Z DIODE		
D8812	MA8051/M/-X	Z DIODE		
D8813	MA8051/M/-X	Z DIODE		
D8815	MA8051/M/-X	Z DIODE		
D8816	MA8051/M/-X	Z DIODE		
D8817	MA8051/M/-X	Z DIODE		
D8818	MA8051/M/-X	Z DIODE		
D8819	MA8051/M/-X	Z DIODE		

Block No. [0][3]

Symbol No.	Part No.	Part Name	Description	Local	Symbol No.	Part No.	Part Name	Description	Local
D8820	MA8051/M-X	Z DIODE			R8824	NRSA63J-182X	MG RESISTOR	1.8kΩ 1/16W J	J
D8821	MA8051/M-X	Z DIODE			R8824	NRSA63J-362X	MG RESISTOR	3.6kΩ 1/16W J	E,EE
D8822	MA8051/M-X	Z DIODE			R8825	NRSA63J-272X	MG RESISTOR	2.7kΩ 1/16W J	J
D8823	MA8051/M-X	Z DIODE			R8825	NRSA63J-392X	MG RESISTOR	3.9kΩ 1/16W J	E,EE
D8824	MA8051/M-X	Z DIODE							
D8826	MA8051/M-X	Z DIODE			L8001	NQL52EM-220X	COIL	22uH M	
D8827	MA8051/M-X	Z DIODE							
D8828	MA8051/M-X	Z DIODE			CN801	QGB1004J2-12X	CONNECTOR	B-B (1-12)	
D8829	MA8150/M-X	Z DIODE			CN802	QGB1004J2-30X	CONNECTOR	B-B (1-30)	
D8830	MA8200/M-X	Z DIODE			CN803	QGF0567F1-24W	CONNECTOR	FFC/FPC (1-24)	
D8831	MA8051/M-X	Z DIODE			CN804	QGF0567F1-24W	CONNECTOR	FFC/FPC (1-24)	
D8832	MA8051/M-X	Z DIODE			CN851	QGA1002C1-06X	CONNECTOR	W-B (1-6)	
D8833	MA8051/M-X	Z DIODE			CN852	QGA1002C1-02X	CONNECTOR	W-B (1-2)	
D8834	MA8051/M-X	Z DIODE			CN881	QGF0534F3-60X	CONNECTOR	FFC/FPC (1-60)	
D8835	MA8051/M-X	Z DIODE			CN882	QGZ2204M1-24X	CONNECTOR	(1-24)	
D8836	MA8062/M-X	Z DIODE			CN883	QGZ2204M1-24X	CONNECTOR	(1-24)	

C8003	NCJ11EK-106X-R	C CAPACITOR	10uF 25V	
C8004	NCJ11EK-106X-R	C CAPACITOR	10uF 25V	
C8005	NCB31AK-334X	C CAPACITOR	0.33uF 10V K	
C8006	NCJ11EK-106X-R	C CAPACITOR	10uF 25V	
C8010	NCB31HK-103X	C CAPACITOR	0.01uF 50V K	
C8011	NCB21AK-225X	C CAPACITOR	2.2uF 10V K	

R8001	NRSA63J-333X	MG RESISTOR	33kΩ 1/16W J	
R8002	NRSA63J-103X	MG RESISTOR	10kΩ 1/16W J	
R8003	NRSA63J-333X	MG RESISTOR	33kΩ 1/16W J	
R8004	NRSA63J-333X	MG RESISTOR	33kΩ 1/16W J	
R8005	NRSA63J-101X	MG RESISTOR	100Ω 1/16W J	
R8015	NRSA63J-0R0X	MG RESISTOR	0Ω 1/16W J	
R8017	NRSA63J-0R0X	MG RESISTOR	0Ω 1/16W J	
R8018	NRSA63J-0R0X	MG RESISTOR	0Ω 1/16W J	
R8019	NRSA63J-0R0X	MG RESISTOR	0Ω 1/16W J	
R8021	NRSA63J-103X	MG RESISTOR	10kΩ 1/16W J	
R8024	NRSA63J-0R0X	MG RESISTOR	0Ω 1/16W J	
R8025	NRSA63J-103X	MG RESISTOR	10kΩ 1/16W J	
R8029	NRSA63J-103X	MG RESISTOR	10kΩ 1/16W J	
R8030	NRSA63J-682X	MG RESISTOR	6.8kΩ 1/16W J	
R8031	NRSA63J-391X	MG RESISTOR	390Ω 1/16W J	
R8032	NRSA63J-682X	MG RESISTOR	6.8kΩ 1/16W J	
R8034	NRSA63J-682X	MG RESISTOR	6.8kΩ 1/16W J	
R8038	NRSA63J-0R0X	MG RESISTOR	0Ω 1/16W J	
R8041	NRSA63J-0R0X	MG RESISTOR	0Ω 1/16W J	
R8042	NRSA63J-0R0X	MG RESISTOR	0Ω 1/16W J	
R8046	NRSA63J-682X	MG RESISTOR	6.8kΩ 1/16W J	
R8047	NRSA63J-682X	MG RESISTOR	6.8kΩ 1/16W J	
R8501	NRSA63J-751X	MG RESISTOR	750Ω 1/16W J	
R8503	NRSA63J-393X	MG RESISTOR	39kΩ 1/16W J	
R8504	NRSA63J-333X	MG RESISTOR	33kΩ 1/16W J	
R8505	NRSA63J-333X	MG RESISTOR	33kΩ 1/16W J	
R8507	NRSA63J-682X	MG RESISTOR	6.8kΩ 1/16W J	
R8508	NRSA63J-222X	MG RESISTOR	2.2kΩ 1/16W J	
R8509	NRSA63J-102X	MG RESISTOR	1kΩ 1/16W J	
R8510	NRSA63J-151X	MG RESISTOR	150Ω 1/16W J	
R8511	NRSA63J-0R0X	MG RESISTOR	0Ω 1/16W J	
R8801	NRSA63J-0R0X	MG RESISTOR	0Ω 1/16W J	
R8802	NRSA63J-0R0X	MG RESISTOR	0Ω 1/16W J	
R8803	NRSA63J-0R0X	MG RESISTOR	0Ω 1/16W J	
R8805	NRSA63J-222X	MG RESISTOR	2.2kΩ 1/16W J	
R8811	NRSA63J-471X	MG RESISTOR	470Ω 1/16W J	J
R8811	NRSA63J-681X	MG RESISTOR	680Ω 1/16W J	E,EE
R8812	NRSA63J-562X	MG RESISTOR	5.6kΩ 1/16W J	J
R8812	NRSA63J-113X	MG RESISTOR	11kΩ 1/16W J	E,EE
R8813	NRSA63J-562X	MG RESISTOR	5.6kΩ 1/16W J	J
R8813	NRSA63J-113X	MG RESISTOR	11kΩ 1/16W J	E,EE
R8815	NRSA63J-473X	MG RESISTOR	47kΩ 1/16W J	J
R8816	NRSA63J-562X	MG RESISTOR	5.6kΩ 1/16W J	J
R8817	NRSA63J-473X	MG RESISTOR	47kΩ 1/16W J	J
R8818	NRSA63J-562X	MG RESISTOR	5.6kΩ 1/16W J	J
R8819	NRSA63J-182X	MG RESISTOR	1.8kΩ 1/16W J	J
R8819	NRSA63J-362X	MG RESISTOR	3.6kΩ 1/16W J	E,EE
R8820	NRSA63J-272X	MG RESISTOR	2.7kΩ 1/16W J	J
R8820	NRSA63J-392X	MG RESISTOR	3.9kΩ 1/16W J	E,EE
R8821	NRSA63J-332X	MG RESISTOR	3.3kΩ 1/16W J	J
R8821	NRSA63J-362X	MG RESISTOR	3.6kΩ 1/16W J	E,EE
R8822	NRSA63J-332X	MG RESISTOR	3.3kΩ 1/16W J	J
R8823	NRSA63J-332X	MG RESISTOR	3.3kΩ 1/16W J	J
R8823	NRSA63J-472X	MG RESISTOR	4.7kΩ 1/16W J	E,EE

Panel board

Block No. [0][4]

Symbol No.	Part No.	Part Name	Description	Local
IC402	NJM072BV-X	IC		
IC411	TC74VHCT04AFT-X	IC		
IC412	TC7W04FK-X	IC		
△ IC451	UPD78F0515GA4A	IC(PROGRAMED)		
IC452	S-80824CNB-G-W	IC		
IC461	OZ964ISN-X	IC		
IC462	TC7SET08FU-J-X	IC(DIGITAL)		
IC463	TPCP8402JVC-X	POWER MOS FET		
IC464	TPCP8402JVC-X	POWER MOS FET		
IC471	AD9980KSTZ-80	IC		
IC472	NJM2878F3-18-X	IC		
IC473	TC7SH08FU-X	IC		
△ IC501	MN103SE60P	IC		
IC502	NJU6368PF1-X	IC		
IC503	TC7SH04FU-X	IC		
IC504	TC7PA14FU-X	IC		
△ IC511	K4S641632K-UC75	IC		
△ IC512	SG32N90TFI036F	IC(PROGRAMED)		J
△ IC512	SG32N90TFI034H	IC(PROGRAMED)		E
△ IC512	SG32N90TFI034J	IC(PROGRAMED)		EE
IC513	NJM2904V-X	IC		
IC551	RS-771-X	RM.RECEIVER		
Q401	ISA1530AC1/QR/X	TRANSISTOR		
Q402	2SC3928A/QR/-X	TRANSISTOR		
Q402	or 2SD601A/QR/-X	TRANSISTOR		
Q402	or 2SC2412K/R/-X	TRANSISTOR		
Q403	RT1N141C-X	DIGI TRANSISTOR		
Q403	or UN2211-X	TRANSISTOR		
Q403	or DTC114EKA-X	DIGI TRANSISTOR		
Q506	2SC3928A/QR/-X	TRANSISTOR		
Q506	or 2SD601A/QR/-X	TRANSISTOR		
Q506	or 2SC2412K/R/-X	TRANSISTOR		
Q507	RT1N141C-X	DIGI TRANSISTOR		
Q507	or UN2211-X	TRANSISTOR		
Q507	or DTC114EKA-X	DIGI TRANSISTOR		
Q508	2SA2119K-X	TRANSISTOR		
Q509	2SA2119K-X	TRANSISTOR		
Q510	2SC5938A/B/-X	TRANSISTOR		
Q511	2SC5938A/B/-X	TRANSISTOR		
Q4001	2SC3928A/QR/-X	TRANSISTOR		
Q4001	or 2SD601A/QR/-X	TRANSISTOR		
Q4001	or 2SC2412K/R/-X	TRANSISTOR		
Q4002	ISA1530AC1/QR/X	TRANSISTOR		
Q4003	2SC3928A/QR/-X	TRANSISTOR		
Q4003	or 2SD601A/QR/-X	TRANSISTOR		
Q4003	or 2SC2412K/R/-X	TRANSISTOR		
Q4004	2SC3928A/QR/-X	TRANSISTOR		
Q4004	or 2SD601A/QR/-X	TRANSISTOR		

△ Symbol No.	Part No.	Part Name	Description	Local	△ Symbol No.	Part No.	Part Name	Description	Local
Q4004	or 2SC2412K/R/-X	TRANSISTOR			C502	NCB31HK-104X	C CAPACITOR	0.1uF 50V K	
Q4005	ISA1530AC1/QR/X	TRANSISTOR			C503	NCB31AK-474X	C CAPACITOR	0.47uF 10V K	
Q4006	ISA1530AC1/QR/X	TRANSISTOR			C504	NCB31AK-474X	C CAPACITOR	0.47uF 10V K	
Q4007	2SC3928A/QR/-X	TRANSISTOR			C505	NCJ11EK-106X-R	C CAPACITOR	10uF 25V	
Q4007	or 2SD601A/QR/-X	TRANSISTOR			C507	NCB31HK-102X	C CAPACITOR	1000pF 50V K	
Q4007	or 2SC2412K/R/-X	TRANSISTOR			C508	NCB31HK-102X	C CAPACITOR	1000pF 50V K	
Q4605	ISA1530AC1/QR/X	TRANSISTOR			C509	NDC31HJ-101X	C CAPACITOR	100pF 50V J	
Q4607	RT1N141C-X	DIGI TRANSISTOR			C510	NDC31HJ-101X	C CAPACITOR	100pF 50V J	
Q4607	or UN2211-X	TRANSISTOR			C511	NDC31HJ-101X	C CAPACITOR	100pF 50V J	
Q4607	or DTC114EKA-X	DIGI TRANSISTOR			C512	NDC31HJ-101X	C CAPACITOR	100pF 50V J	
Q5001	ISA1530AC1/QR/X	TRANSISTOR			C513	NCBA1HK-102W	C CAPACITOR	1000pF 50V K	
					C514	NCBA1HK-102W	C CAPACITOR	1000pF 50V K	
D401	MA111-X	SI DIODE			C552	NCBA1AK-104W	C CAPACITOR	0.1uF 10V K	
D402	MC2836-X	DIODE			C553	NCBA1HK-102W	C CAPACITOR	1000pF 50V K	
D506	MA111-X	SI DIODE			C4001	NCB31AK-474X	C CAPACITOR	0.47uF 10V K	
D507	MA111-X	SI DIODE			C4002	NCB31AK-474X	C CAPACITOR	0.47uF 10V K	
D508	MA8120/M/-X	Z DIODE			C4003	NCB31AK-474X	C CAPACITOR	0.47uF 10V K	
D509	MA8120/M/-X	Z DIODE			C4004	NCB31AK-474X	C CAPACITOR	0.47uF 10V K	
D551	CL-201IR-X-X	LED			C4006	NCJ11EK-106X-R	C CAPACITOR	10uF 25V	
D552	NECBB205/WPQR/X	LED	J		C4008	NCB31CK-105X	C CAPACITOR	1uF 16V K	
D552	SMLE12WBC7W-X	LED	E,EE		C4009	NCB31CK-104X	C CAPACITOR	0.1uF 16V K	
D553	NECBB205/WPQR/X	LED	J		C4010	NCJ21CK-106X-R	C CAPACITOR	10uF 16V K	
D553	SMLE12WBC7W-X	LED	E,EE		C4012	NCB31CK-105X	C CAPACITOR	1uF 16V K	
D554	NECBB205/WPQR/X	LED	J		C4013	NCBA1AK-104W	C CAPACITOR	0.1uF 10V K	
D554	SMLE12WBC7W-X	LED	E,EE		C4015	NCB31CK-104X	C CAPACITOR	0.1uF 16V K	
D555	NECBB205/WPQR/X	LED	J		C4016	NCJ21CK-106X-R	C CAPACITOR	10uF 16V K	
D555	SMLE12WBC7W-X	LED	E,EE		C4017	NCBA1AK-104W	C CAPACITOR	0.1uF 10V K	
D556	NECBB205/WPQR/X	LED	J		C4101	NCB31CK-104X	C CAPACITOR	0.1uF 16V K	
D556	SMLE12WBC7W-X	LED	E,EE		C4102	NCB31CK-104X	C CAPACITOR	0.1uF 16V K	
D557	NECBB205/WPQR/X	LED	J		C4301	NQR0450-001X	EMI FILTER	0.022uF 50V M	
D557	SMLE12WBC7W-X	LED	E,EE		C4302	NQR0450-001X	EMI FILTER	0.022uF 50V M	
D558	NECBB205/WPQR/X	LED	J		C4303	NCB31CK-104X	C CAPACITOR	0.1uF 16V K	
D558	SMLE12WBC7W-X	LED	E,EE		C4304	NCB31HK-104X	C CAPACITOR	0.1uF 50V K	
D559	NECBB205/WPQR/X	LED	J		C4305	NCBA1AK-104W	C CAPACITOR	0.1uF 10V K	
D559	SMLE12WBC7W-X	LED	E,EE		C4306	NCBA1AK-104W	C CAPACITOR	0.1uF 10V K	
D560	NECBB205/WPQR/X	LED	J		C4307	NBE41AM-476X	TA E CAPACITOR	47uF 10V M	
D560	SMLE12WBC7W-X	LED	E,EE		C4308	NBE20JM-476X	TA E CAPACITOR	47uF 6.3V M	
D561	NECBB205/WPQR/X	LED	J		C4309	NCJ11EK-106X-R	C CAPACITOR	10uF 25V	
D561	SMLE12WBC7W-X	LED	E,EE		C4310	NCJ11EK-106X-R	C CAPACITOR	10uF 25V	
D562	NECBB205/WPQR/X	LED	J		C4311	NCJ21CK-106X-R	C CAPACITOR	10uF 16V K	
D562	SMLE12WBC7W-X	LED	E,EE		C4601	NQR0450-001X	EMI FILTER	0.022uF 50V M	
D563	NECBB205/WPQR/X	LED	J		C4602	NCB30JK-105X	C CAPACITOR	1uF 6.3V K	
D563	SMLE12WBC7W-X	LED	E,EE		C4603	NCBA1AK-104W	C CAPACITOR	0.1uF 10V K	
D4001	MA2SD32-X	DIODE			C4605	NCB21AK-225X	C CAPACITOR	2.2uF 10V K	
D4301	MA2SD31-X	SB DIODE			C4606	NCBA1CK-103W	C CAPACITOR	0.01uF 16V K	
D4302	MA2SD31-X	SB DIODE			C4607	NCB31AK-474X	C CAPACITOR	0.47uF 10V K	
D4303	MA8062/M/-X	Z DIODE			C4608	NCBA1AK-104W	C CAPACITOR	0.1uF 10V K	
D4601	MA111-X	SI DIODE			C4609	NDCA1HJ-101W	C CAPACITOR	100pF 50V J	
D4602	MA8047/M/-X	Z DIODE			C4610	NCBA1AK-104W	C CAPACITOR	0.1uF 10V K	
D4603	MA8047/M/-X	Z DIODE			C4611	NCB31HK-473X	C CAPACITOR	0.047uF 50V K	
D4604	BAV99L-X	SI DIODE			C4613	NDCA1HJ-101W	C CAPACITOR	100pF 50V J	
D4605	MA8047/M/-X	Z DIODE			C4614	NDCA1HJ-101W	C CAPACITOR	100pF 50V J	
D4606	MA8047/M/-X	Z DIODE			C4615	NDC31HJ-221X	C CAPACITOR	220pF 50V J	
D4607	BAV99L-X	SI DIODE			C4616	NDCA1HJ-101W	C CAPACITOR	100pF 50V J	
D5001	MA2SD31-X	SB DIODE			C4617	NDCA1HJ-101W	C CAPACITOR	100pF 50V J	
D5002	MA2SD31-X	SB DIODE			C4618	NCB31HK-473X	C CAPACITOR	0.047uF 50V K	
					C4619	NCB31HK-473X	C CAPACITOR	0.047uF 50V K	
C401	NCB30JK-105X	C CAPACITOR	1uF 6.3V K		C4620	NCJ11EK-106X-R	C CAPACITOR	10uF 25V	
C402	NBE40JM-476X	TA E CAPACITOR	47uF 6.3V M		C4621	NCF21HZ-105X	C CAPACITOR	1uF 50V Z	
C403	NDCA1HJ-101W	C CAPACITOR	100pF 50V J		C4622	NCF21HZ-105X	C CAPACITOR	1uF 50V Z	
C404	NDCA1HJ-101W	C CAPACITOR	100pF 50V J		C4623	NCJ11EK-106X-R	C CAPACITOR	10uF 25V	
C405	NCB31CK-473X	C CAPACITOR	0.047uF 16V K		C4624	NCJ11EK-106X-R	C CAPACITOR	10uF 25V	
C406	NCBA1AK-473W	C CAPACITOR	0.047uF 10V K		C4625	NCJ11EK-106X-R	C CAPACITOR	10uF 25V	
C407	NDCA1HJ-5R0W	C CAPACITOR	5pF 50V J		C4626	NCJ11EK-106X-R	C CAPACITOR	10uF 25V	
C408	NDCA1HJ-5R0W	C CAPACITOR	5pF 50V J		C4627	NCJ11EK-106X-R	C CAPACITOR	10uF 25V	
C409	NCB31AK-474X	C CAPACITOR	0.47uF 10V K		C4628	NCB11CK-225X	C CAPACITOR	2.2uF 16V K	
C410	NCB30JK-105X	C CAPACITOR	1uF 6.3V K		C4629	NCB31HK-473X	C CAPACITOR	0.047uF 50V K	
C411	NCBA1CK-103W	C CAPACITOR	0.01uF 16V K		C4630	NCB31HK-333X	C CAPACITOR	0.033uF 50V K	
C412	NCB20JK-475X	C CAPACITOR	4.7uF 6.3V K		C4631	NCZ1011-220X	C CAPACITOR	22pF	
C413	NCBA1AK-473W	C CAPACITOR	0.047uF 10V K		C4632	NCB31HK-392X	C CAPACITOR	3900pF 50V K	
C422	NRSA63J-0R0X	MG RESISTOR	0Ω 1/16W J		C4635	NDC31HJ-101X	C CAPACITOR	100pF 50V J	
C428	NRSA63J-0R0X	MG RESISTOR	0Ω 1/16W J		C4701	NBE20JM-226X	TA E CAPACITOR	22uF 6.3V M	J
C429	NRSA63J-0R0X	MG RESISTOR	0Ω 1/16W J		C4702	NCBA1AK-104W	C CAPACITOR	0.1uF 10V K	
C430	NRSA63J-0R0X	MG RESISTOR	0Ω 1/16W J		C4703	NCBA1AK-104W	C CAPACITOR	0.1uF 10V K	
C431	NRSA63J-0R0X	MG RESISTOR	0Ω 1/16W J		C4704	NCBA1AK-104W	C CAPACITOR	0.1uF 10V K	
C437	NCB31HK-102X	C CAPACITOR	1000pF 50V K		C4705	NCBA1AK-104W	C CAPACITOR	0.1uF 10V K	
C438	NCB31HK-102X	C CAPACITOR	1000pF 50V K		C4706	NCBA1AK-104W	C CAPACITOR	0.1uF 10V K	
C501	NCB20JK-475X	C CAPACITOR	4.7uF 6.3V K		C4707	NCBA1AK-104W	C CAPACITOR	0.1uF 10V K	

△ Symbol No.	Part No.	Part Name	Description	Local	△ Symbol No.	Part No.	Part Name	Description	Local
C4708	NCBA1AK-104W	C CAPACITOR	0.1uF 10V K		C5048	NDCA1HJ-680W	C CAPACITOR	68pF 50V J	
C4709	NCBA1AK-104W	C CAPACITOR	0.1uF 10V K		C5049	NCB31HK-102X	C CAPACITOR	1000pF 50V K	
C4710	NCBA1AK-104W	C CAPACITOR	0.1uF 10V K		C5050	NCBA1AK-104W	C CAPACITOR	0.1uF 10V K	
C4711	NCBA1AK-104W	C CAPACITOR	0.1uF 10V K		C5051	NCBA1AK-104W	C CAPACITOR	0.1uF 10V K	
C4712	NCB20JK-106X	C CAPACITOR	10uF 6.3V K		C5055	NCB20JK-106X	C CAPACITOR	10uF 6.3V K	
C4713	NCB20JK-106X	C CAPACITOR	10uF 6.3V K		C5056	NCB20JK-106X	C CAPACITOR	10uF 6.3V K	
C4714	NCBA1AK-104W	C CAPACITOR	0.1uF 10V K		C5057	NCB20JK-106X	C CAPACITOR	10uF 6.3V K	
C4715	NCBA1AK-104W	C CAPACITOR	0.1uF 10V K		C5059	NQR0450-001X	EMI FILTER	0.022uF 50V M	
C4716	NCBA1AK-104W	C CAPACITOR	0.1uF 10V K		C5065	NCBA1AK-104W	C CAPACITOR	0.1uF 10V K	
C4717	NCBA1AK-104W	C CAPACITOR	0.1uF 10V K		C5301	NCBA1AK-104W	C CAPACITOR	0.1uF 10V K	
C4718	NCBA1AK-104W	C CAPACITOR	0.1uF 10V K		C5302	NCB31AK-105X	C CAPACITOR	1uF 10V K	J
C4719	NCB31CK-105X	C CAPACITOR	1uF 16V K		C5302	NCB31HK-471X	C CAPACITOR	470pF 50V K	E,EE
C4720	NCB31CK-105X	C CAPACITOR	1uF 16V K		C5303	NCB31AK-105X	C CAPACITOR	1uF 10V K	J
C4721	NCBA1AK-104W	C CAPACITOR	0.1uF 10V K		C5303	NCB31CK-104X	C CAPACITOR	0.1uF 16V K	E,EE
C4722	NCBA1AK-104W	C CAPACITOR	0.1uF 10V K		C5304	NCB31AK-105X	C CAPACITOR	1uF 10V K	J
C4723	NCB31CK-823X	C CAPACITOR	0.082uF 16V K		C5304	NCB31HK-471X	C CAPACITOR	470pF 50V K	E,EE
C4724	NCB31HK-822X	C CAPACITOR	8200pF 50V K		C5305	NCBA1AK-104W	C CAPACITOR	0.1uF 10V K	
C4725	NCBA1AK-104W	C CAPACITOR	0.1uF 10V K		C5307	NCB31AK-105X	C CAPACITOR	1uF 10V K	J
C4726	NCBA1AK-104W	C CAPACITOR	0.1uF 10V K		C5307	NCB31CK-104X	C CAPACITOR	0.1uF 16V K	E,EE
C4727	NBE20JM-226X	TA E CAPACITOR	22uF 6.3V M		C5308	NCB31AK-105X	C CAPACITOR	1uF 10V K	J
C4729	NCBA1AK-104W	C CAPACITOR	0.1uF 10V K		C5308	NCB31HK-471X	C CAPACITOR	470pF 50V K	E,EE
C4730	NCB20JK-106X	C CAPACITOR	10uF 6.3V K		C5309	NBE20JM-226X	TA E CAPACITOR	22uF 6.3V M	
C4731	NCB31HK-102X	C CAPACITOR	1000pF 50V K		C5310	NCBA1AK-104W	C CAPACITOR	0.1uF 10V K	
C4732	NCB31HK-102X	C CAPACITOR	1000pF 50V K		C5312	NCB20JK-106X	C CAPACITOR	10uF 6.3V K	
C4733	NDC31HJ-101X	C CAPACITOR	100pF 50V J	J	C5313	NCB20JK-106X	C CAPACITOR	10uF 6.3V K	
C4734	NDC31HJ-101X	C CAPACITOR	100pF 50V J	J	C5314	NCB20JK-106X	C CAPACITOR	10uF 6.3V K	
C4735	NCBA1AK-104W	C CAPACITOR	0.1uF 10V K		C5315	NBE40JM-476X	TA E CAPACITOR	47uF 6.3V M	
C5001	NCJA0JK-105W-R	C CAPACITOR	1uF 6.3V K	J	R401	NRSA6AJ-102W	MG RESISTOR	1kΩ 1/16W J	
C5001	NCBA1AK-104W	C CAPACITOR	0.1uF 10V K	E,EE	R402	NRSA6AJ-102W	MG RESISTOR	1kΩ 1/16W J	
C5002	NCJA0JK-105W-R	C CAPACITOR	1uF 6.3V K	J	R403	NRSA6AJ-101W	MG RESISTOR	100Ω 1/16W J	
C5002	NDCA1HJ-471W	C CAPACITOR	470pF 50V J	E,EE	R404	NRSA6AJ-101W	MG RESISTOR	100Ω 1/16W J	
C5003	NCJA0JK-105W-R	C CAPACITOR	1uF 6.3V K	J	R405	NRSA6AJ-101W	MG RESISTOR	100Ω 1/16W J	
C5003	NCBA1AK-104W	C CAPACITOR	0.1uF 10V K	E,EE	R406	NRSA6AJ-102W	MG RESISTOR	1kΩ 1/16W J	
C5004	NCBA1AK-104W	C CAPACITOR	0.1uF 10V K		R407	NRSA6AJ-102W	MG RESISTOR	1kΩ 1/16W J	
C5005	NCBA1AK-104W	C CAPACITOR	0.1uF 10V K		R408	NRSA6AJ-102W	MG RESISTOR	1kΩ 1/16W J	
C5006	NCBA1AK-104W	C CAPACITOR	0.1uF 10V K		R409	NRSA6AJ-102W	MG RESISTOR	1kΩ 1/16W J	
C5007	NCBA1AK-104W	C CAPACITOR	0.1uF 10V K		R410	NRSA6AJ-102W	MG RESISTOR	1kΩ 1/16W J	
C5008	NCBA1AK-104W	C CAPACITOR	0.1uF 10V K		R411	NRSA6AJ-102W	MG RESISTOR	1kΩ 1/16W J	
C5009	NCBA1AK-104W	C CAPACITOR	0.1uF 10V K		R412	NRSA6AJ-101W	MG RESISTOR	100Ω 1/16W J	
C5010	NCBA1AK-104W	C CAPACITOR	0.1uF 10V K		R413	NRSA6AJ-101W	MG RESISTOR	100Ω 1/16W J	
C5011	NCBA1AK-104W	C CAPACITOR	0.1uF 10V K		R414	NRSA6AJ-102W	MG RESISTOR	1kΩ 1/16W J	
C5012	NCBA1AK-104W	C CAPACITOR	0.1uF 10V K		R416	NRSA6AJ-102W	MG RESISTOR	1kΩ 1/16W J	
C5013	NCB20JK-106X	C CAPACITOR	10uF 6.3V K		R417	NRSA6AJ-102W	MG RESISTOR	1kΩ 1/16W J	
C5014	NCBA1AK-104W	C CAPACITOR	0.1uF 10V K		R418	NRSA6AJ-101W	MG RESISTOR	100Ω 1/16W J	
C5015	NCB20JK-106X	C CAPACITOR	10uF 6.3V K		R419	NRSA6AJ-101W	MG RESISTOR	100Ω 1/16W J	
C5016	NCB20JK-106X	C CAPACITOR	10uF 6.3V K		R420	NRSA6AJ-0R0W	MG RESISTOR	0Ω 1/16W J	
C5017	NCBA1AK-104W	C CAPACITOR	0.1uF 10V K		R421	NRSA6AJ-102W	MG RESISTOR	1kΩ 1/16W J	
C5018	NCBA1AK-104W	C CAPACITOR	0.1uF 10V K		R422	NRSA6AJ-102W	MG RESISTOR	1kΩ 1/16W J	
C5019	NCBA1AK-104W	C CAPACITOR	0.1uF 10V K		R423	NRSA6AJ-0R0W	MG RESISTOR	0Ω 1/16W J	
C5020	NCBA1AK-104W	C CAPACITOR	0.1uF 10V K		R425	NRSA6AJ-101W	MG RESISTOR	100Ω 1/16W J	
C5021	NCBA1AK-104W	C CAPACITOR	0.1uF 10V K		R426	NRSA6AJ-101W	MG RESISTOR	100Ω 1/16W J	
C5022	NCBA1AK-104W	C CAPACITOR	0.1uF 10V K		R427	NRSA6AJ-101W	MG RESISTOR	100Ω 1/16W J	
C5023	NCBA1AK-104W	C CAPACITOR	0.1uF 10V K		R428	NRSA6AJ-101W	MG RESISTOR	100Ω 1/16W J	
C5024	NCBA1AK-104W	C CAPACITOR	0.1uF 10V K		R429	NRSA6AJ-102W	MG RESISTOR	1kΩ 1/16W J	
C5025	NCBA1AK-104W	C CAPACITOR	0.1uF 10V K		R430	NRSA6AJ-102W	MG RESISTOR	1kΩ 1/16W J	
C5026	NCBA1AK-104W	C CAPACITOR	0.1uF 10V K		R431	NRSA6AJ-102W	MG RESISTOR	1kΩ 1/16W J	
C5027	NBE40JM-107X	TA E CAPACITOR	100uF 6.3V M	J	R432	NRSA6AJ-102W	MG RESISTOR	1kΩ 1/16W J	
C5027	NBE40JM-476X	TA E CAPACITOR	47uF 6.3V M	E,EE	R433	NRSA6AJ-102W	MG RESISTOR	1kΩ 1/16W J	
C5028	NCBA1AK-104W	C CAPACITOR	0.1uF 10V K		R434	NRSA6AJ-101W	MG RESISTOR	100Ω 1/16W J	
C5029	NBE20JM-226X	TA E CAPACITOR	22uF 6.3V M		R435	NRSA6AJ-101W	MG RESISTOR	100Ω 1/16W J	
C5030	NDCA1HJ-680W	C CAPACITOR	68pF 50V J		R437	NRSA6AJ-101W	MG RESISTOR	100Ω 1/16W J	
C5031	NDCA1HJ-330W	C CAPACITOR	33pF 50V J		R438	NRSA6AJ-102W	MG RESISTOR	1kΩ 1/16W J	
C5032	NCBA1CK-103W	C CAPACITOR	0.01uF 16V K		R439	NRSA6AJ-102W	MG RESISTOR	1kΩ 1/16W J	
C5033	NDCA1HJ-100W	C CAPACITOR	10pF 50V J		R440	NRSA6AJ-0R0W	MG RESISTOR	0Ω 1/16W J	
C5034	NDCA1HJ-100W	C CAPACITOR	10pF 50V J		R441	NRSA6AJ-101W	MG RESISTOR	100Ω 1/16W J	
C5035	NCBA1AK-104W	C CAPACITOR	0.1uF 10V K		R442	NRSA6AJ-101W	MG RESISTOR	100Ω 1/16W J	
C5036	NCBA1AK-104W	C CAPACITOR	0.1uF 10V K		R443	NRSA6AJ-103W	MG RESISTOR	10kΩ 1/16W J	
C5037	NCBA1AK-104W	C CAPACITOR	0.1uF 10V K		R446	NRSA63J-153X	MG RESISTOR	15kΩ 1/16W J	
C5038	NCBA1AK-104W	C CAPACITOR	0.1uF 10V K		R447	NRSA63J-153X	MG RESISTOR	15kΩ 1/16W J	
C5039	NCJA0JK-105W-R	C CAPACITOR	1uF 6.3V K	J	R448	NRSA6AJ-474W	MG RESISTOR	470kΩ 1/16W J	
C5039	NCBA1AK-104W	C CAPACITOR	0.1uF 10V K	E,EE	R449	NRSA6AJ-473W	MG RESISTOR	47kΩ 1/16W J	
C5040	NDCA1HJ-100W	C CAPACITOR	10pF 50V J		R450	NRSA6AJ-333W	MG RESISTOR	33kΩ 1/16W J	
C5041	NDCA1HJ-100W	C CAPACITOR	10pF 50V J		R451	NRSA6AJ-222W	MG RESISTOR	2.2kΩ 1/16W J	
C5042	NCBA1AK-104W	C CAPACITOR	0.1uF 10V K		R452	NRSA6AJ-473W	MG RESISTOR	47kΩ 1/16W J	
C5043	NCBA1AK-104W	C CAPACITOR	0.1uF 10V K		R453	NRSA6AJ-473W	MG RESISTOR	47kΩ 1/16W J	
C5044	NCJ20JM-226X-R	C CAPACITOR	22uF 6.3V M		R454	NRSA6AJ-474W	MG RESISTOR	470kΩ 1/16W J	
C5045	NCBA1AK-104W	C CAPACITOR	0.1uF 10V K		R455	NRSA6AJ-0R0W	MG RESISTOR	0Ω 1/16W J	
C5047	NDCA1HJ-180W	C CAPACITOR	18pF 50V J						

△ Symbol No.	Part No.	Part Name	Description	Local	△ Symbol No.	Part No.	Part Name	Description	Local
R456	NRSA63J-0R0X	MG RESISTOR	0Ω 1/16W J		R4358	NRSA6AJ-0R0W	MG RESISTOR	0Ω 1/16W J	
R457	NRSA63J-0R0X	MG RESISTOR	0Ω 1/16W J		R4359	NRSA6AJ-0R0W	MG RESISTOR	0Ω 1/16W J	
R517	NRSA6AJ-470W	MG RESISTOR	47Ω 1/16W J		R4360	NRSA6AJ-0R0W	MG RESISTOR	0Ω 1/16W J	
R518	NRSA6AJ-101W	MG RESISTOR	100Ω 1/16W J		R4361	NRSA6AJ-0R0W	MG RESISTOR	0Ω 1/16W J	
R519	NRSA6AJ-683W	MG RESISTOR	68kΩ 1/16W J		R4362	NRSA6AJ-0R0W	MG RESISTOR	0Ω 1/16W J	
R520	NRSA6AJ-683W	MG RESISTOR	68kΩ 1/16W J		R4363	NRSA6AJ-0R0W	MG RESISTOR	0Ω 1/16W J	
R522	NRSA6AJ-103W	MG RESISTOR	10kΩ 1/16W J		R4364	NRSA6AJ-0R0W	MG RESISTOR	0Ω 1/16W J	
R523	NRSA6AJ-472W	MG RESISTOR	4.7kΩ 1/16W J		R4365	NRSA6AJ-0R0W	MG RESISTOR	0Ω 1/16W J	
R524	NRSA6AJ-182W	MG RESISTOR	1.8kΩ 1/16W J		R4366	NRSA6AJ-0R0W	MG RESISTOR	0Ω 1/16W J	
R526	NRSA6AJ-332W	MG RESISTOR	3.3kΩ 1/16W J		R4367	NRSA6AJ-0R0W	MG RESISTOR	0Ω 1/16W J	
R527	NRSA6AJ-223W	MG RESISTOR	22kΩ 1/16W J		R4368	NRSA6AJ-0R0W	MG RESISTOR	0Ω 1/16W J	
R528	NRSA6AJ-332W	MG RESISTOR	3.3kΩ 1/16W J		R4601	NRSA6AJ-682W	MG RESISTOR	6.8kΩ 1/16W J	
R529	NRSA6AJ-223W	MG RESISTOR	22kΩ 1/16W J		R4603	NRSA6AJ-224W	MG RESISTOR	220kΩ 1/16W J	
R530	NRSA6AJ-222W	MG RESISTOR	2.2kΩ 1/16W J		R4604	NRSA6AJ-104W	MG RESISTOR	100kΩ 1/16W J	
R531	NRSA6AJ-474W	MG RESISTOR	470kΩ 1/16W J		R4605	NRSA6AJ-0R0W	MG RESISTOR	0Ω 1/16W J	
R532	NRSA6AJ-332W	MG RESISTOR	3.3kΩ 1/16W J		R4606	NRSA63J-515X	MG RESISTOR	5.1MΩ 1/16W J	
R533	NRSA6AJ-223W	MG RESISTOR	22kΩ 1/16W J		R4607	NRSA63J-184X	MG RESISTOR	180kΩ 1/16W J	
R534	NRSA6AJ-222W	MG RESISTOR	2.2kΩ 1/16W J		R4608	NRSA63J-0R0X	MG RESISTOR	0Ω 1/16W J	
R535	NRSA6AJ-474W	MG RESISTOR	470kΩ 1/16W J		R4609	NRSA63J-333X	MG RESISTOR	33kΩ 1/16W J	
R536	NRSA6AJ-332W	MG RESISTOR	3.3kΩ 1/16W J		R4610	NRSA6AJ-470W	MG RESISTOR	47Ω 1/16W J	
R537	NRSA6AJ-223W	MG RESISTOR	22kΩ 1/16W J		R4611	NRSA6AJ-470W	MG RESISTOR	47Ω 1/16W J	
R551	NRSA63J-302X	MG RESISTOR	3kΩ 1/16W J		R4612	NRSA63J-823X	MG RESISTOR	82kΩ 1/16W J	
R552	NRSA63J-302X	MG RESISTOR	3kΩ 1/16W J		R4613	NRSA63J-274X	MG RESISTOR	270kΩ 1/16W J	
R553	NRSA63J-272X	MG RESISTOR	2.7kΩ 1/16W J		R4614	NRSA6AJ-470W	MG RESISTOR	47Ω 1/16W J	
R554	NRSA63J-272X	MG RESISTOR	2.7kΩ 1/16W J		R4615	NRSA6AJ-470W	MG RESISTOR	47Ω 1/16W J	
R555	NRSA63J-392X	MG RESISTOR	3.9kΩ 1/16W J		R4616	NRSA6AJ-512W	MG RESISTOR	5.1kΩ 1/16W J	
R556	NRSA63J-392X	MG RESISTOR	3.9kΩ 1/16W J		R4617	NRSA6AJ-512W	MG RESISTOR	5.1kΩ 1/16W J	
R557	NRSA6AJ-0R0W	MG RESISTOR	0Ω 1/16W J		R4618	NRSA63J-105X	MG RESISTOR	1MΩ 1/16W J	
R558	NRSA6AJ-473W	MG RESISTOR	47kΩ 1/16W J		R4620	NRSA63J-0R0X	MG RESISTOR	0Ω 1/16W J	
R4001	NRSA6AJ-683W	MG RESISTOR	68kΩ 1/16W J		R4621	NRSA63J-391X	MG RESISTOR	390Ω 1/16W J	
R4002	NRSA6AJ-683W	MG RESISTOR	68kΩ 1/16W J		R4626	NRSA6AJ-513W	MG RESISTOR	51kΩ 1/16W J	
R4003	NRSA6AJ-683W	MG RESISTOR	68kΩ 1/16W J		R4627	NRSA6AJ-473W	MG RESISTOR	47kΩ 1/16W J	
R4004	NRSA6AJ-683W	MG RESISTOR	68kΩ 1/16W J		R4629	NRSA6AJ-562W	MG RESISTOR	5.6kΩ 1/16W J	
R4005	NRSA6AJ-104W	MG RESISTOR	100kΩ 1/16W J		R4701	NDCA1HJ-330W	C CAPACITOR	33pF 50V J	
R4008	NRSA6AJ-104W	MG RESISTOR	100kΩ 1/16W J		R4702	NDCA1HJ-330W	C CAPACITOR	33pF 50V J	
R4011	NRSA6AJ-103W	MG RESISTOR	10kΩ 1/16W J		R4703	NDCA1HJ-330W	C CAPACITOR	33pF 50V J	
R4012	NRSA6AJ-103W	MG RESISTOR	10kΩ 1/16W J		R4704	NRSA6AJ-102W	MG RESISTOR	1kΩ 1/16W J	
R4013	NRSA6AJ-103W	MG RESISTOR	10kΩ 1/16W J		R4705	NRSA6AJ-102W	MG RESISTOR	1kΩ 1/16W J	
R4014	NRSA6AJ-223W	MG RESISTOR	22kΩ 1/16W J		R4706	NRSA6AJ-102W	MG RESISTOR	1kΩ 1/16W J	
R4015	NRSA6AJ-103W	MG RESISTOR	10kΩ 1/16W J		R4707	NRSA6AJ-0R0W	MG RESISTOR	0Ω 1/16W J	
R4016	NRSA6AJ-153W	MG RESISTOR	15kΩ 1/16W J		R4708	NRSA6AJ-473W	MG RESISTOR	47kΩ 1/16W J	
R4017	NRSA6AJ-103W	MG RESISTOR	10kΩ 1/16W J		R4713	NRSA6AJ-0R0W	MG RESISTOR	0Ω 1/16W J	
R4018	NRSA6AJ-103W	MG RESISTOR	10kΩ 1/16W J		R4714	NRSA6AJ-101W	MG RESISTOR	100Ω 1/16W J	
R4019	NRSA6AJ-103W	MG RESISTOR	10kΩ 1/16W J		R4715	NRSA6AJ-101W	MG RESISTOR	100Ω 1/16W J	
R4020	NRSA6AJ-103W	MG RESISTOR	10kΩ 1/16W J		R4716	NRSA6AJ-0R0W	MG RESISTOR	0Ω 1/16W J	
R4021	NRSA6AJ-103W	MG RESISTOR	10kΩ 1/16W J		R4717	NRSA6AJ-680W	MG RESISTOR	68Ω 1/16W J	
R4022	NRSA6AJ-103W	MG RESISTOR	10kΩ 1/16W J		R4718	NRSA6AJ-680W	MG RESISTOR	68Ω 1/16W J	
R4023	NRSA6AJ-273W	MG RESISTOR	27kΩ 1/16W J		R4719	NRSA6AJ-680W	MG RESISTOR	68Ω 1/16W J	
R4024	NRSA6AJ-392W	MG RESISTOR	3.9kΩ 1/16W J		R4720	NRSA6AJ-680W	MG RESISTOR	68Ω 1/16W J	
R4026	NRSA6AJ-103W	MG RESISTOR	10kΩ 1/16W J		R4721	NRSA6AJ-680W	MG RESISTOR	68Ω 1/16W J	
R4027	NRSA6AJ-103W	MG RESISTOR	10kΩ 1/16W J		R4722	NRSA6AJ-680W	MG RESISTOR	68Ω 1/16W J	
R4028	NRSA6AJ-101W	MG RESISTOR	100Ω 1/16W J		R4723	NRSA6AJ-680W	MG RESISTOR	68Ω 1/16W J	
R4029	NRSA6AJ-103W	MG RESISTOR	10kΩ 1/16W J		R4728	NRSA6AJ-680W	MG RESISTOR	68Ω 1/16W J	
R4030	NRSA6AJ-103W	MG RESISTOR	10kΩ 1/16W J		R4729	NRSA6AJ-680W	MG RESISTOR	68Ω 1/16W J	
R4031	NRSA6AJ-390W	MG RESISTOR	39Ω 1/16W J		R4730	NRSA6AJ-680W	MG RESISTOR	68Ω 1/16W J	
R4032	NRSA6AJ-2R2W	MG RESISTOR	2.2Ω 1/16W J		R4731	NRSA6AJ-680W	MG RESISTOR	68Ω 1/16W J	
R4033	NRSA6AJ-2R2W	MG RESISTOR	2.2Ω 1/16W J		R4732	NRSA6AJ-680W	MG RESISTOR	68Ω 1/16W J	
R4034	NRSA6AJ-390W	MG RESISTOR	39Ω 1/16W J		R4733	NRSA6AJ-680W	MG RESISTOR	68Ω 1/16W J	
R4035	NRSA6AJ-100W	MG RESISTOR	10Ω 1/16W J		R4738	NRSA6AJ-680W	MG RESISTOR	68Ω 1/16W J	
R4108	NRSA6AJ-0R0W	MG RESISTOR	0Ω 1/16W J		R4739	NRSA6AJ-680W	MG RESISTOR	68Ω 1/16W J	
R4110	NRSA6AJ-0R0W	MG RESISTOR	0Ω 1/16W J		R4740	NRSA6AJ-680W	MG RESISTOR	68Ω 1/16W J	
R4201	NRSA6AD-240W	MG RESISTOR	24Ω 1/16W D		R4741	NRSA6AJ-680W	MG RESISTOR	68Ω 1/16W J	
R4202	NRSA6AD-221W	MG RESISTOR	220Ω 1/16W D		R4742	NRSA6AJ-680W	MG RESISTOR	68Ω 1/16W J	
R4203	NRSA6AD-820W	MG RESISTOR	82Ω 1/16W D		R4743	NRSA6AJ-680W	MG RESISTOR	68Ω 1/16W J	
R4204	NRSA6AD-470W	MG RESISTOR	47Ω 1/16W D		R4748	NRSA6AJ-101W	MG RESISTOR	100Ω 1/16W J	
R4205	NRSA6AD-390W	MG RESISTOR	39Ω 1/16W D		R4749	NRSA6AJ-101W	MG RESISTOR	100Ω 1/16W J	
R4206	NRSA6AD-430W	MG RESISTOR	43Ω 1/16W D		R4751	NRSA6AJ-101W	MG RESISTOR	100Ω 1/16W J	
R4207	NRSA6AD-470W	MG RESISTOR	47Ω 1/16W D		R4752	NRSA6AJ-0R0W	MG RESISTOR	0Ω 1/16W J	
R4208	NRSA6AD-680W	MG RESISTOR	68Ω 1/16W D		R4754	NRSA6AJ-102W	MG RESISTOR	1kΩ 1/16W J	
R4209	NRSA6AD-161W	MG RESISTOR	160Ω 1/16W D		R4755	NRSA6AJ-152W	MG RESISTOR	1.5kΩ 1/16W J	
R4210	NRSA6AD-201W	MG RESISTOR	200Ω 1/16W D		R4756	NRSA63J-220X	MG RESISTOR	22Ω 1/16W J	
R4211	NRSA6AD-100W	MG RESISTOR	10Ω 1/16W D		R4759	NRSA6AJ-102W	MG RESISTOR	1kΩ 1/16W J	
R4212	NRSA6AD-100W	MG RESISTOR	10Ω 1/16W D		R4763	NRSA63J-0R0X	MG RESISTOR	0Ω 1/16W J	
R4301	NRSA6AJ-0R0W	MG RESISTOR	0Ω 1/16W J		R4767	NRSA6AJ-0R0W	MG RESISTOR	0Ω 1/16W J	
R4303	NRSA6AJ-0R0W	MG RESISTOR	0Ω 1/16W J		R5002	NRSA6AJ-0R0W	MG RESISTOR	0Ω 1/16W J	
R4305	NRSA6AJ-0R0W	MG RESISTOR	0Ω 1/16W J		R5004	NRSA6AJ-2R2W	MG RESISTOR	2.2Ω 1/16W J	J
R4307	NRSA6AJ-0R0W	MG RESISTOR	0Ω 1/16W J		R5004	NRSA6AJ-0R0W	MG RESISTOR	0Ω 1/16W J	E,EE
R4308	NRSA6AJ-0R0W	MG RESISTOR	0Ω 1/16W J		R5005	NRSA6AJ-680W	MG RESISTOR	68Ω 1/16W J	

△ Symbol No.	Part No.	Part Name	Description	Local	△ Symbol No.	Part No.	Part Name	Description	Local
R5006	NRSA6AJ-680W	MG RESISTOR	68Ω 1/16W J		R5204	NRSA6AJ-0R0W	MG RESISTOR	0Ω 1/16W J	
R5007	NRSA63J-680X	MG RESISTOR	68Ω 1/16W J		R5206	NRSA6AJ-0R0W	MG RESISTOR	0Ω 1/16W J	
R5008	NRSA63J-0R0X	MG RESISTOR	0Ω 1/16W J		R5207	NRSA6AJ-0R0W	MG RESISTOR	0Ω 1/16W J	
R5009	NRSA6AJ-330W	MG RESISTOR	33Ω 1/16W J		R5208	NRSA6AJ-0R0W	MG RESISTOR	0Ω 1/16W J	
R5010	NRSA6AJ-103W	MG RESISTOR	10kΩ 1/16W J		R5209	NRSA6AJ-0R0W	MG RESISTOR	0Ω 1/16W J	
R5011	NRSA6AJ-103W	MG RESISTOR	10kΩ 1/16W J		R5210	NRSA6AJ-0R0W	MG RESISTOR	0Ω 1/16W J	
R5013	NRSA6AJ-101W	MG RESISTOR	100Ω 1/16W J		R5211	NRSA6AJ-0R0W	MG RESISTOR	0Ω 1/16W J	
R5014	NRSA6AJ-101W	MG RESISTOR	100Ω 1/16W J		R5302	NRSA63J-103X	MG RESISTOR	10kΩ 1/16W J	
R5015	NRSA6AJ-101W	MG RESISTOR	100Ω 1/16W J		RA501	NRZ0034-680W	NET RESISTOR	68Ω 1/32W J x4	
R5016	NRSA6AJ-101W	MG RESISTOR	100Ω 1/16W J		RA502	NRZ0034-680W	NET RESISTOR	68Ω 1/32W J x4	
R5017	NRSA6AJ-101W	MG RESISTOR	100Ω 1/16W J		RA503	NRZ0034-680W	NET RESISTOR	68Ω 1/32W J x4	
R5018	NRSA6AJ-101W	MG RESISTOR	100Ω 1/16W J		RA504	NRZ0034-680W	NET RESISTOR	68Ω 1/32W J x4	
R5019	NRSA6AJ-101W	MG RESISTOR	100Ω 1/16W J		RA505	NRZ0034-680W	NET RESISTOR	68Ω 1/32W J x4	
R5020	NRSA6AJ-101W	MG RESISTOR	100Ω 1/16W J		RA506	NRZ0034-680W	NET RESISTOR	68Ω 1/32W J x4	
R5021	NRSA6AJ-101W	MG RESISTOR	100Ω 1/16W J		RA507	NRZ0034-680W	NET RESISTOR	68Ω 1/32W J x4	
R5022	NRSA6AJ-330W	MG RESISTOR	33Ω 1/16W J		RA508	NRZ0034-680W	NET RESISTOR	68Ω 1/32W J x4	
R5023	NRSA6AJ-101W	MG RESISTOR	100Ω 1/16W J		RA509	NRZ0034-680W	NET RESISTOR	68Ω 1/32W J x4	
R5024	NRSA6AJ-101W	MG RESISTOR	100Ω 1/16W J		RA520	NRZ0034-330W	NET RESISTOR	33Ω 1/32W J x4	
R5025	NRSA6AJ-101W	MG RESISTOR	100Ω 1/16W J		RA521	NRZ0034-330W	NET RESISTOR	33Ω 1/32W J x4	
R5026	NRSA6AJ-101W	MG RESISTOR	100Ω 1/16W J		RA522	NRZ0034-330W	NET RESISTOR	33Ω 1/32W J x4	
R5027	NRSA6AJ-101W	MG RESISTOR	100Ω 1/16W J		L401	NQL382M-100X	COIL	10uH M	
R5028	NRSA6AJ-223W	MG RESISTOR	22kΩ 1/16W J		L4001	NQL79GM-220X	COIL	22uH M	
R5029	NRSA6AJ-101W	MG RESISTOR	100Ω 1/16W J		L4002	NQL79GM-220X	COIL	22uH M	
R5030	NRSA6AJ-0R0W	MG RESISTOR	0Ω 1/16W J		L4301	NQL382M-470X	COIL	47uH M	
R5031	NRSA6AJ-102W	MG RESISTOR	1kΩ 1/16W J		L4302	NQL382M-470X	COIL	47uH M	
R5032	NRSA6AJ-220W	MG RESISTOR	22Ω 1/16W J		L4601	NQL382M-470X	COIL	47uH M	
R5034	NRSA6AJ-0R0W	MG RESISTOR	0Ω 1/16W J		L4602	NQL52EM-100X	COIL	10uH M	
R5036	NRSA6AJ-103W	MG RESISTOR	10kΩ 1/16W J		L4702	NQL382M-220X	COIL	22uH M	
R5037	NRSA6AJ-0R0W	MG RESISTOR	0Ω 1/16W J		L5001	NQL382M-220X	COIL	22uH M	
R5038	NRSA6AJ-0R0W	MG RESISTOR	0Ω 1/16W J		L5004	NQL382M-220X	COIL	22uH M	
R5043	NRSA6AJ-0R0W	MG RESISTOR	0Ω 1/16W J		L5005	NQL085J-470X	COIL	47uH J	
R5044	NRSA6AJ-0R0W	MG RESISTOR	0Ω 1/16W J		T4601	NQR0636-001	C FL TRANSF		
R5048	NRSA6AJ-0R0W	MG RESISTOR	0Ω 1/16W J		CN401	QGF0534F2-60X	CONNECTOR	FFC/FPC (1-60)	
R5049	NRSA6AJ-0R0W	MG RESISTOR	0Ω 1/16W J		CN403	QGA8002F1-02X	CONNECTOR	W-B (1-2)	
R5050	NRSA6AJ-0R0W	MG RESISTOR	0Ω 1/16W J		CN404	QGF0522F3-09W	CONNECTOR	FFC/FPC (1-9)	
R5057	NRSA6AD-123W	MG RESISTOR	12kΩ 1/16W D		CN501	QGF0523F2-16W	CONNECTOR	FFC/FPC (1-16)	
R5058	NRSA6AJ-0R0W	MG RESISTOR	0Ω 1/16W J		CN502	QGF1039F2-04X	CONNECTOR	FFC/FPC (1-4)	
R5059	NRSA6AJ-752W	MG RESISTOR	7.5kΩ 1/16W J		CN503	QGF0534F3-60X	CONNECTOR	FFC/FPC (1-60)	
R5060	NRSA6AJ-622W	MG RESISTOR	6.2kΩ 1/16W J		CN504	QGF0522F3-15W	CONNECTOR	FFC/FPC (1-15)	
R5061	NRSA6AJ-272W	MG RESISTOR	2.7kΩ 1/16W J		CN551	QGF0545F3-16X	CONNECTOR	FFC/FPC (1-16)	
R5062	NRSA6AJ-471W	MG RESISTOR	470Ω 1/16W J		K501	NRSA63J-0R0X	MG RESISTOR	0Ω 1/16W J	
R5063	NRSA6AJ-471W	MG RESISTOR	470Ω 1/16W J		K502	NRSA63J-0R0X	MG RESISTOR	0Ω 1/16W J	
R5064	NRSA6AJ-0R0W	MG RESISTOR	0Ω 1/16W J		K503	NRSA63J-0R0X	MG RESISTOR	0Ω 1/16W J	
R5065	NRSA6AJ-0R0W	MG RESISTOR	0Ω 1/16W J		K504	NRSA63J-0R0X	MG RESISTOR	0Ω 1/16W J	
R5066	NRSA6AJ-103W	MG RESISTOR	10kΩ 1/16W J		S551	NSW0312-001X	TACT SWITCH		
R5068	NRSA6AJ-681W	MG RESISTOR	680Ω 1/16W J		S552	NSW0312-001X	TACT SWITCH		
R5069	NRSA6AJ-0R0W	MG RESISTOR	0Ω 1/16W J		S553	NSW0312-001X	TACT SWITCH		
R5070	NRSA6AJ-0R0W	MG RESISTOR	0Ω 1/16W J		S554	NSW0312-001X	TACT SWITCH		
R5071	NRSA6AJ-0R0W	MG RESISTOR	0Ω 1/16W J		S555	NSW0312-001X	TACT SWITCH		
R5072	NRSA6AJ-103W	MG RESISTOR	10kΩ 1/16W J		S556	NSW0312-001X	TACT SWITCH		
R5074	NRSA6AJ-0R0W	MG RESISTOR	0Ω 1/16W J		S557	NSW0312-001X	TACT SWITCH		
R5076	NRSA6AJ-0R0W	MG RESISTOR	0Ω 1/16W J		S558	NSW0312-001X	TACT SWITCH		
R5077	NRSA6AJ-0R0W	MG RESISTOR	0Ω 1/16W J		S559	NSW0312-001X	TACT SWITCH		
R5078	NRSA6AJ-103W	MG RESISTOR	10kΩ 1/16W J		X401	NAX0974-001X	CRYSTAL		
R5079	NRSA6AJ-0R0W	MG RESISTOR	0Ω 1/16W J		X5001	NAX0971-001X	CRYSTAL		
R5080	NRSA6AJ-0R0W	MG RESISTOR	0Ω 1/16W J		X5002	NAX0970-001X	CRYSTAL		
R5081	NRSA6AJ-0R0W	MG RESISTOR	0Ω 1/16W J						
R5082	NRSA6AJ-0R0W	MG RESISTOR	0Ω 1/16W J						
R5083	NRSA6AJ-0R0W	MG RESISTOR	0Ω 1/16W J						
R5084	NRSA6AJ-0R0W	MG RESISTOR	0Ω 1/16W J						
R5085	NRSA6AJ-220W	MG RESISTOR	22Ω 1/16W J						
R5086	NRSA6AJ-101W	MG RESISTOR	100Ω 1/16W J						
R5087	NRSA6AJ-330W	MG RESISTOR	33Ω 1/16W J						
R5092	NRSA6AJ-330W	MG RESISTOR	33Ω 1/16W J						
R5097	NRSA6AJ-330W	MG RESISTOR	33Ω 1/16W J						
R5098	NRSA6AJ-330W	MG RESISTOR	33Ω 1/16W J						
R5099	NRSA6AJ-330W	MG RESISTOR	33Ω 1/16W J						
R5100	NRSA6AJ-330W	MG RESISTOR	33Ω 1/16W J						
R5101	NRSA6AJ-221W	MG RESISTOR	220Ω 1/16W J						
R5102	NRSA6AJ-221W	MG RESISTOR	220Ω 1/16W J						
R5103	NRSA6AJ-471W	MG RESISTOR	470Ω 1/16W J						
R5105	NRSA6AJ-391W	MG RESISTOR	390Ω 1/16W J						
R5106	NRSA63J-152X	MG RESISTOR	1.5kΩ 1/16W J						
R5113	NRSA63J-103X	MG RESISTOR	10kΩ 1/16W J						
R5114	NRSA63J-103X	MG RESISTOR	10kΩ 1/16W J						
R5115	NRSA6AJ-101W	MG RESISTOR	100Ω 1/16W J						
R5201	NRSA6AJ-102W	MG RESISTOR	1kΩ 1/16W J						
R5202	NRSA6AJ-102W	MG RESISTOR	1kΩ 1/16W J						

Front end board

△ Symbol No.	Part No.	Part Name	Description	Local
IC1	BD8215EFV-X	IC		
IC3	MM3233DF-X	IC		
IC7	TC7PA53FU-X	IC		
IC301	MN2DS0018MA	IC		
IC302	MM1701CH-X	IC		
IC307	MFI341S2094-X	IC(MCU)		
IC308	NJU6368PF1-X	IC		
IC398	SG32A90TFIR36V	IC(PROGRAMED)		
IC399	M12L128168A-7TG	IC(DIGITAL)		
IC399	or K4S281632I-UC75	IC(DIGITAL)		

Block No. [0][5]

△ Symbol No.	Part No.	Part Name	Description	Local	△ Symbol No.	Part No.	Part Name	Description	Local
IC400	AK4387ET-X	IC			C82	NDC31HJ-150X	C CAPACITOR	15pF 50V J	
IC481	BR24L32FV-W-X	IC(DIGITAL)			C83	NCB31CK-104X	C CAPACITOR	0.1uF 16V K	
IC501	TC74LCX373FT-X	IC(DIGITAL)			C84	NCB31CK-333X	C CAPACITOR	0.033uF 16V K	
IC502	TC74LCX373FT-X	IC(DIGITAL)			C85	NCB31CK-104X	C CAPACITOR	0.1uF 16V K	
Q2	RT1N141U-X	RANSISTOR			C86	NCB31CK-104X	C CAPACITOR	0.1uF 16V K	
Q4	2SC3928A/R/-X	TRANSISTOR			C87	NCB31CK-104X	C CAPACITOR	0.1uF 16V K	
Q4	or 2SD601A/R/-X	TRANSISTOR			C88	NCB31CK-104X	C CAPACITOR	0.1uF 16V K	
Q7	2SC3928A/R/-X	TRANSISTOR			C89	NCB31HK-183X	C CAPACITOR	0.018uF 50V K	
Q7	or 2SD601A/R/-X	TRANSISTOR			C90	NCB31HK-562X	C CAPACITOR	5600pF 50V K	
Q8	2SA1774/R/-X	TRANSISTOR			C91	NCB31CK-104X	C CAPACITOR	0.1uF 16V K	
Q9	2SC4617/R/-X	TRANSISTOR			C92	NCB21CK-105X	C CAPACITOR	1uF 16V K	
Q101	2SB1424/R/-W	TRANSISTOR			C93	NCB21CK-105X	C CAPACITOR	1uF 16V K	
Q102	2SC4617/R/-X	TRANSISTOR			C99	NCB31CK-104X	C CAPACITOR	0.1uF 16V K	
Q103	2SB1424/R/-W	TRANSISTOR			C100	NCB31CK-684X	C CAPACITOR	0.68uF 16V K	
Q104	2SC4617/R/-X	TRANSISTOR			C101	NCB31CK-104X	C CAPACITOR	0.1uF 16V K	
Q105	2SC4617/R/-X	TRANSISTOR			C102	NCB31CK-684X	C CAPACITOR	0.68uF 16V K	
Q106	2SK3546J-X	MOS FET			C109	NCB21CK-105X	C CAPACITOR	1uF 16V K	
Q107	2SK3546J-X	MOS FET			C113	NCB21CK-105X	C CAPACITOR	1uF 16V K	
Q301	RT1N441U-X	TRANSISTOR			C117	NCB21CK-105X	C CAPACITOR	1uF 16V K	
Q302	RT1N441U-X	TRANSISTOR			C118	NCB31HK-103X	C CAPACITOR	0.01uF 50V K	
D6	AN1102W-6-X	IR LED			C121	NCB31CK-104X	C CAPACITOR	0.1uF 16V K	
D7	AN1102W-6-X	IR LED			C122	NCB31CK-104X	C CAPACITOR	0.1uF 16V K	
D9	PS1192HB-22-X	PHOTO TRANSISTOR			C126	NCB31CK-104X	C CAPACITOR	0.1uF 16V K	
D11	PS1192HB-22-X	PHOTO TRANSISTOR			C127	NCB31CK-104X	C CAPACITOR	0.1uF 16V K	
C2	NCB31CK-104X	C CAPACITOR	0.1uF 16V K		C128	NCB31CK-104X	C CAPACITOR	0.1uF 16V K	
C3	NCB31CK-104X	C CAPACITOR	0.1uF 16V K		C129	NCB31CK-104X	C CAPACITOR	0.1uF 16V K	
C4	NCB31CK-104X	C CAPACITOR	0.1uF 16V K		C130	NCB31CK-104X	C CAPACITOR	0.1uF 16V K	
C5	NCB31CK-104X	C CAPACITOR	0.1uF 16V K		C131	NCB31CK-104X	C CAPACITOR	0.1uF 16V K	
C6	NCB31CK-104X	C CAPACITOR	0.1uF 16V K		C132	NCB31CK-104X	C CAPACITOR	0.1uF 16V K	
C7	NCB31CK-104X	C CAPACITOR	0.1uF 16V K		C133	NCB31CK-104X	C CAPACITOR	0.1uF 16V K	
C8	NCB31CK-104X	C CAPACITOR	0.1uF 16V K		C134	NCB31CK-104X	C CAPACITOR	0.1uF 16V K	
C9	NCB31CK-104X	C CAPACITOR	0.1uF 16V K		C135	NCB31CK-104X	C CAPACITOR	0.1uF 16V K	
C11	NCB31CK-104X	C CAPACITOR	0.1uF 16V K		C136	NCB31CK-104X	C CAPACITOR	0.1uF 16V K	
C12	NCB31CK-104X	C CAPACITOR	0.1uF 16V K		C137	NBE20JM-226X	TA E CAPACITOR	22uF 6.3V M	
C13	NCB31CK-104X	C CAPACITOR	0.1uF 16V K		C139	NBE20JM-226X	TA E CAPACITOR	22uF 6.3V M	
C14	NCB31CK-104X	C CAPACITOR	0.1uF 16V K		C142	NCB31CK-104X	C CAPACITOR	0.1uF 16V K	
C15	NCB31CK-104X	C CAPACITOR	0.1uF 16V K		C143	NBE41AM-476X	TA E CAPACITOR	47uF 10V M	
C16	NCB31CK-104X	C CAPACITOR	0.1uF 16V K		C145	NBE41AM-476X	TA E CAPACITOR	47uF 10V M	
C17	NCB31CK-104X	C CAPACITOR	0.1uF 16V K		C147	NCB31CK-104X	C CAPACITOR	0.1uF 16V K	
C18	NCB31CK-104X	C CAPACITOR	0.1uF 16V K		C148	NCB31HK-331X	C CAPACITOR	330pF 50V K	
C19	NCB31CK-104X	C CAPACITOR	0.1uF 16V K		C149	NCB31CK-104X	C CAPACITOR	0.1uF 16V K	
C20	NCB31CK-104X	C CAPACITOR	0.1uF 16V K		C151	NCB31CK-473X	C CAPACITOR	0.047uF 16V K	
C21	NBE41AM-476X	TA E CAPACITOR	47uF 10V M		C155	NDC31HJ-101X	C CAPACITOR	100pF 50V J	
C22	NBE41AM-476X	TA E CAPACITOR	47uF 10V M		C156	NCB31CK-104X	C CAPACITOR	0.1uF 16V K	
C23	NBE41AM-476X	TA E CAPACITOR	47uF 10V M		C161	NCB31CK-104X	C CAPACITOR	0.1uF 16V K	
C24	NCB31CK-104X	C CAPACITOR	0.1uF 16V K		C162	NCB31CK-104X	C CAPACITOR	0.1uF 16V K	
C25	NCB31CK-104X	C CAPACITOR	0.1uF 16V K		C164	NCB21CK-105X	C CAPACITOR	1uF 16V K	
C26	NCB31CK-104X	C CAPACITOR	0.1uF 16V K		C165	NCB31CK-104X	C CAPACITOR	0.1uF 16V K	
C31	NCB31HK-681X	C CAPACITOR	680pF 50V K		C167	NDC31HJ-272X	C CAPACITOR	2700pF 50V J	
C32	NCB31HK-561X	C CAPACITOR	560pF 50V K		C170	NCB31CK-104X	C CAPACITOR	0.1uF 16V K	
C48	NCB31CK-104X	C CAPACITOR	0.1uF 16V K		C173	NCB31CK-104X	C CAPACITOR	0.1uF 16V K	
C50	NCB31CK-104X	C CAPACITOR	0.1uF 16V K		C174	NCB31CK-104X	C CAPACITOR	0.1uF 16V K	
C51	NDC31HJ-4R0X	C CAPACITOR	4pF 50V J		C175	NBE61CM-107X	TA E CAPACITOR	100uF 16V M	
C52	NDC31HJ-4R0X	C CAPACITOR	4pF 50V J		C176	NCB31CK-104X	C CAPACITOR	0.1uF 16V K	
C60	NCB31HK-103X	C CAPACITOR	0.01uF 50V K		C177	NCB31CK-104X	C CAPACITOR	0.1uF 16V K	
C63	NBE40JM-476X	TA E CAPACITOR	47uF 6.3V M		C178	NCB31CK-104X	C CAPACITOR	0.1uF 16V K	
C65	NCB31CK-104X	C CAPACITOR	0.1uF 16V K		C197	NCB31CK-104X	C CAPACITOR	0.1uF 16V K	
C66	NCB31CK-104X	C CAPACITOR	0.1uF 16V K		C199	NCB31CK-104X	C CAPACITOR	0.1uF 16V K	
C67	NCB31HK-103X	C CAPACITOR	0.01uF 50V K		C200	NBE40JM-476X	TA E CAPACITOR	47uF 6.3V M	
C68	NCB31CK-104X	C CAPACITOR	0.1uF 16V K		C201	NCB31CK-104X	C CAPACITOR	0.1uF 16V K	
C69	NCB21CK-105X	C CAPACITOR	1uF 16V K		C205	NCB21AK-225X	C CAPACITOR	2.2uF 10V K	
C70	NCB31CK-104X	C CAPACITOR	0.1uF 16V K		C206	NDC31HJ-222X	C CAPACITOR	2200pF 50V J	
C71	NCB31CK-104X	C CAPACITOR	0.1uF 16V K		C211	NCB31CK-104X	C CAPACITOR	0.1uF 16V K	
C72	NCB31CK-105X	C CAPACITOR	1uF 16V K		C215	NDC31HJ-181X	C CAPACITOR	180pF 50V J	
C73	NCB31CK-104X	C CAPACITOR	0.1uF 16V K		C216	NCB31CK-104X	C CAPACITOR	0.1uF 16V K	
C74	NCB31CK-104X	C CAPACITOR	0.1uF 16V K		C218	NCB31CK-104X	C CAPACITOR	0.1uF 16V K	
C75	NCB31CK-104X	C CAPACITOR	0.1uF 16V K		C219	NCB31CK-223X	C CAPACITOR	0.022uF 16V K	
C76	NCB31CK-104X	C CAPACITOR	0.1uF 16V K		C220	NCB31HK-102X	C CAPACITOR	1000pF 50V K	
C77	NCB31CK-104X	C CAPACITOR	0.1uF 16V K		C222	NCB31CK-104X	C CAPACITOR	0.1uF 16V K	
C78	NCB31CK-104X	C CAPACITOR	0.1uF 16V K		C223	NCB31HK-102X	C CAPACITOR	1000pF 50V K	
C79	NCB31CK-104X	C CAPACITOR	0.1uF 16V K		C224	NCB21AK-225X	C CAPACITOR	2.2uF 10V K	
C80	NCB21CK-105X	C CAPACITOR	1uF 16V K		C225	NBE61CM-107X	TA E CAPACITOR	100uF 16V M	
C81	NDC31HJ-120X	C CAPACITOR	12pF 50V J		C228	NCB31HK-102X	C CAPACITOR	1000pF 50V K	
					C229	NCB31CK-223X	C CAPACITOR	0.022uF 16V K	
					C232	NBE61CM-107X	TA E CAPACITOR	100uF 16V M	
					C233	NCB21CK-105X	C CAPACITOR	1uF 16V K	
					C235	NCB31HK-102X	C CAPACITOR	1000pF 50V K	
					C237	NDC31HJ-221X	C CAPACITOR	220pF 50V J	

△ Symbol No.	Part No.	Part Name	Description	Local	△ Symbol No.	Part No.	Part Name	Description	Local
C238	NCB31CK-104X	C CAPACITOR	0.1uF 16V K		R170	NRSA6AD-471W	MG RESISTOR	470Ω 1/16W D	
C240	NCB31CK-104X	C CAPACITOR	0.1uF 16V K		R171	NRSA63J-105X	MG RESISTOR	1MΩ 1/16W J	
C241	NCB31CK-104X	C CAPACITOR	0.1uF 16V K		R172	NRSA6AD-101W	MG RESISTOR	100Ω 1/16W D	
R21	NRSA63J-0R0X	MG RESISTOR	0Ω 1/16W J		R173	NRSA6AD-101W	MG RESISTOR	100Ω 1/16W D	
R22	NRSA63J-0R0X	MG RESISTOR	0Ω 1/16W J		R174	NRSA6AD-101W	MG RESISTOR	100Ω 1/16W D	
R25	NRSA63J-0R0X	MG RESISTOR	0Ω 1/16W J		R177	NRSA63J-0R0X	MG RESISTOR	0Ω 1/16W J	
R31	NRSA63J-0R0X	MG RESISTOR	0Ω 1/16W J		R178	NRSA63J-0R0X	MG RESISTOR	0Ω 1/16W J	
R34	NRSA63J-0R0X	MG RESISTOR	0Ω 1/16W J		R181	NQR0129-002X	FERRITE BEADS		
R35	NRSA63J-0R0X	MG RESISTOR	0Ω 1/16W J		R183	NRSA63J-0R0X	MG RESISTOR	0Ω 1/16W J	
R36	NRSA6AD-153W	MG RESISTOR	15kΩ 1/16W D		R184	NRSA63J-0R0X	MG RESISTOR	0Ω 1/16W J	
R37	NRSA6AD-153W	MG RESISTOR	15kΩ 1/16W D		R189	NRSA6AD-331W	MG RESISTOR	330Ω 1/16W D	
R46	NRSA6AD-103W	MG RESISTOR	10kΩ 1/16W D		R190	NRSA6AD-331W	MG RESISTOR	330Ω 1/16W D	
R47	NRSA6AD-103W	MG RESISTOR	10kΩ 1/16W D		R193	NRSA6AD-101W	MG RESISTOR	100Ω 1/16W D	
R51	NRSA63D-104X	MG RESISTOR	100kΩ 1/16W D		R194	NRSA6AD-101W	MG RESISTOR	100Ω 1/16W D	
R52	NRSA6AD-103W	MG RESISTOR	10kΩ 1/16W D		R195	NRSA6AD-102W	MG RESISTOR	1kΩ 1/16W D	
R53	NRSA6AD-103W	MG RESISTOR	10kΩ 1/16W D		R196	NRSA6AD-473W	MG RESISTOR	47kΩ 1/16W D	
R54	NRSA6AD-910W	MG RESISTOR	91Ω 1/16W D		R197	NRSA6AD-123W	MG RESISTOR	12kΩ 1/16W D	
R55	NRSA6AD-910W	MG RESISTOR	91Ω 1/16W D		R198	NRSA63J-105X	MG RESISTOR	1MΩ 1/16W J	
R56	NRSA63D-432X	MG RESISTOR	4.3kΩ 1/16W D		R200	NRSA63J-0R0X	MG RESISTOR	0Ω 1/16W J	
R57	NRSA63D-242X	MG RESISTOR	2.4kΩ 1/16W D		R206	NRSA6AD-103W	MG RESISTOR	10kΩ 1/16W D	
R58	NRS125J-390X	MG RESISTOR	39Ω 1/2W J		R207	NRSA6AD-473W	MG RESISTOR	47kΩ 1/16W D	
R59	NRSA63J-2R2X	MG RESISTOR	2.2Ω 1/16W J		R208	NRSA6AD-473W	MG RESISTOR	47kΩ 1/16W D	
R60	NRSA6AD-102W	MG RESISTOR	1kΩ 1/16W D		R209	NRSA6AD-473W	MG RESISTOR	47kΩ 1/16W D	
R61	NRSA6AD-471W	MG RESISTOR	470Ω 1/16W D		R211	NRSA6AD-473W	MG RESISTOR	47kΩ 1/16W D	
R62	NRSA6AD-471W	MG RESISTOR	470Ω 1/16W D		R213	NRSA63J-100X	MG RESISTOR	10Ω 1/16W J	
R64	NRSA63D-432X	MG RESISTOR	4.3kΩ 1/16W D		R214	NRSA63J-0R0X	MG RESISTOR	0Ω 1/16W J	
R65	NRSA63D-242X	MG RESISTOR	2.4kΩ 1/16W D		R215	NRSA63D-122X	MG RESISTOR	1.2kΩ 1/16W D	
R66	NRS125J-120X	MG RESISTOR	12Ω 1/2W J		R216	NRSA63D-122X	MG RESISTOR	1.2kΩ 1/16W D	
R67	NRSA63J-2R2X	MG RESISTOR	2.2Ω 1/16W J		R217	NRSA6AD-100W	MG RESISTOR	10Ω 1/16W D	
R68	NRSA6AD-102W	MG RESISTOR	1kΩ 1/16W D		R218	NRSA63J-0R0X	MG RESISTOR	0Ω 1/16W J	
R69	NRSA6AD-471W	MG RESISTOR	470Ω 1/16W D		R220	NRSA63J-0R0X	MG RESISTOR	0Ω 1/16W J	
R70	NRSA6AD-331W	MG RESISTOR	330Ω 1/16W D		R226	NRSA6AD-473W	MG RESISTOR	47kΩ 1/16W D	
R76	NRS125J-1R0X	MG RESISTOR	1Ω 1/2W J		R227	NRSA63J-222X	MG RESISTOR	2.2kΩ 1/16W J	
R77	NRSA02J-0R0X	MG RESISTOR	0Ω 1/10W J		R228	NRSA63J-103X	MG RESISTOR	10kΩ 1/16W J	
R79	NRSA6AD-104W	MG RESISTOR	100kΩ 1/16W D		R229	NRSA63J-0R0X	MG RESISTOR	0Ω 1/16W J	
R87	NRSA63J-103X	MG RESISTOR	10kΩ 1/16W J		R233	NRSA6AD-103W	MG RESISTOR	10kΩ 1/16W D	
R89	NRSA63J-103X	MG RESISTOR	10kΩ 1/16W J		R264	NRSA63J-0R0X	MG RESISTOR	0Ω 1/16W J	
R90	NRSA6AD-103W	MG RESISTOR	10kΩ 1/16W D		R265	NRSA6AD-103W	MG RESISTOR	10kΩ 1/16W D	
R92	NRSA63J-473X	MG RESISTOR	47kΩ 1/16W J		R267	NRSA63D-472X	MG RESISTOR	4.7kΩ 1/16W D	
R93	NRSA63J-203X	MG RESISTOR	20kΩ 1/16W J		R268	NRSA63J-0R0X	MG RESISTOR	0Ω 1/16W J	
R94	NRSA63J-223X	MG RESISTOR	22kΩ 1/16W J		R301	NRS144F-R39X	MG RESISTOR	0.39Ω 1/4W F	
R99	NRSA63J-0R0X	MG RESISTOR	0Ω 1/16W J		R302	NRSA63J-0R0X	MG RESISTOR	0Ω 1/16W J	
R100	NRSA6AD-103W	MG RESISTOR	10kΩ 1/16W D		R305	NRS181F-330X	MG RESISTOR	33Ω 1/8W F	
R107	NRSA63J-152X	MG RESISTOR	1.5kΩ 1/16W J		R306	NRS181F-330X	MG RESISTOR	33Ω 1/8W F	
R111	NRSA6AD-102W	MG RESISTOR	1kΩ 1/16W D		R309	NRS125J-R47X	MG RESISTOR	0.47Ω 1/2W J	
R112	NRSA6AD-102W	MG RESISTOR	1kΩ 1/16W D		R310	NRSA6AD-333W	MG RESISTOR	33kΩ 1/16W D	
R113	NRSA6AD-102W	MG RESISTOR	1kΩ 1/16W D		R311	NRSA63J-391X	MG RESISTOR	390Ω 1/16W J	
R117	NRSA6AD-103W	MG RESISTOR	10kΩ 1/16W D		R318	NRSA63J-203X	MG RESISTOR	20kΩ 1/16W J	
R118	NRSA6AD-220W	MG RESISTOR	22Ω 1/16W D		R319	NRSA6AD-562W	MG RESISTOR	5.6kΩ 1/16W D	
R119	NRSA63D-331X	MG RESISTOR	330Ω 1/16W D		R323	NRSA6AD-391W	MG RESISTOR	390Ω 1/16W D	
R120	NRSA63J-152X	MG RESISTOR	1.5kΩ 1/16W J		R324	NRSA63D-682X	MG RESISTOR	6.8kΩ 1/16W D	
R125	NRSA63J-120X	MG RESISTOR	12Ω 1/16W J		R325	NRSA63D-753X	MG RESISTOR	75kΩ 1/16W D	
R126	NRSA63J-102X	MG RESISTOR	1kΩ 1/16W J		R329	NRS125J-R47X	MG RESISTOR	0.47Ω 1/2W J	
R128	NRSA6AD-270W	MG RESISTOR	27Ω 1/16W D		R352	NRSA6AD-102W	MG RESISTOR	1kΩ 1/16W D	
R129	NRSA6AD-103W	MG RESISTOR	10kΩ 1/16W D		R357	NRS125J-R22X	MG RESISTOR	0.22Ω 1/2W J	
R130	NRSA6AD-473W	MG RESISTOR	47kΩ 1/16W D		R358	NRSA63J-0R0X	MG RESISTOR	0Ω 1/16W J	
R131	NRSA6AD-102W	MG RESISTOR	1kΩ 1/16W D		R359	NRSA6AD-243W	MG RESISTOR	24kΩ 1/16W D	
R132	NRSA6AD-102W	MG RESISTOR	1kΩ 1/16W D		R362	NRSA63J-103X	MG RESISTOR	10kΩ 1/16W J	
R133	NRSA6AD-223W	MG RESISTOR	22kΩ 1/16W D		R364	NRSA63J-391X	MG RESISTOR	390Ω 1/16W J	
R134	NRSA6AD-104W	MG RESISTOR	100kΩ 1/16W D		R365	NRSA6AD-103W	MG RESISTOR	10kΩ 1/16W D	
R137	NRSA63J-0R0X	MG RESISTOR	0Ω 1/16W J		R366	NRS125J-R22X	MG RESISTOR	0.22Ω 1/2W J	
R141	NRSA63D-332X	MG RESISTOR	3.3kΩ 1/16W D		R367	NRSA6AD-104W	MG RESISTOR	100kΩ 1/16W D	
R142	NRSA63J-0R0X	MG RESISTOR	0Ω 1/16W J		R369	NRS125J-R22X	MG RESISTOR	0.22Ω 1/2W J	
R143	NRSA6AD-101W	MG RESISTOR	100Ω 1/16W D		R371	NRSA63J-0R0X	MG RESISTOR	0Ω 1/16W J	
R144	NRSA6AD-103W	MG RESISTOR	10kΩ 1/16W D		R375	NRSA6AD-152W	MG RESISTOR	1.5kΩ 1/16W D	
R145	NRSA6AD-103W	MG RESISTOR	10kΩ 1/16W D		R376	NRSA6AD-822W	MG RESISTOR	8.2kΩ 1/16W D	
R152	NRSA63J-0R0X	MG RESISTOR	0Ω 1/16W J		R379	NRSA63D-332X	MG RESISTOR	3.3kΩ 1/16W D	
R153	NRSA63D-162X	MG RESISTOR	1.6kΩ 1/16W D		R380	NRSA63J-223X	MG RESISTOR	22kΩ 1/16W J	
R155	NRSA63J-0R0X	MG RESISTOR	0Ω 1/16W J		R382	NRSA6AD-102W	MG RESISTOR	1kΩ 1/16W D	
R156	NRSA63J-0R0X	MG RESISTOR	0Ω 1/16W J		R383	NRSA63J-223X	MG RESISTOR	22kΩ 1/16W J	
R160	NRSA63D-303X	MG RESISTOR	30kΩ 1/16W D		R384	NRSA6AD-104W	MG RESISTOR	100kΩ 1/16W D	
R163	NRSA6AD-103W	MG RESISTOR	10kΩ 1/16W D		R386	NRSA6AD-184W	MG RESISTOR	180kΩ 1/16W D	
R164	NRSA63J-181X	MG RESISTOR	180Ω 1/16W J		R387	NRSA63D-473X	MG RESISTOR	47kΩ 1/16W D	
R165	NRSA6AD-473W	MG RESISTOR	47kΩ 1/16W D		R391	NRSA6AD-822W	MG RESISTOR	8.2kΩ 1/16W D	
R166	NRSA6AD-473W	MG RESISTOR	47kΩ 1/16W D		R392	NRSA63J-103X	MG RESISTOR	10kΩ 1/16W J	
R167	NRSA6AD-473W	MG RESISTOR	47kΩ 1/16W D		R393	NRSA6AD-103W	MG RESISTOR	10kΩ 1/16W D	
R168	NRSA6AD-473W	MG RESISTOR	47kΩ 1/16W D		R394	NRSA63J-273X	MG RESISTOR	27kΩ 1/16W J	
					R397	NRSA6AD-101W	MG RESISTOR	100Ω 1/16W D	

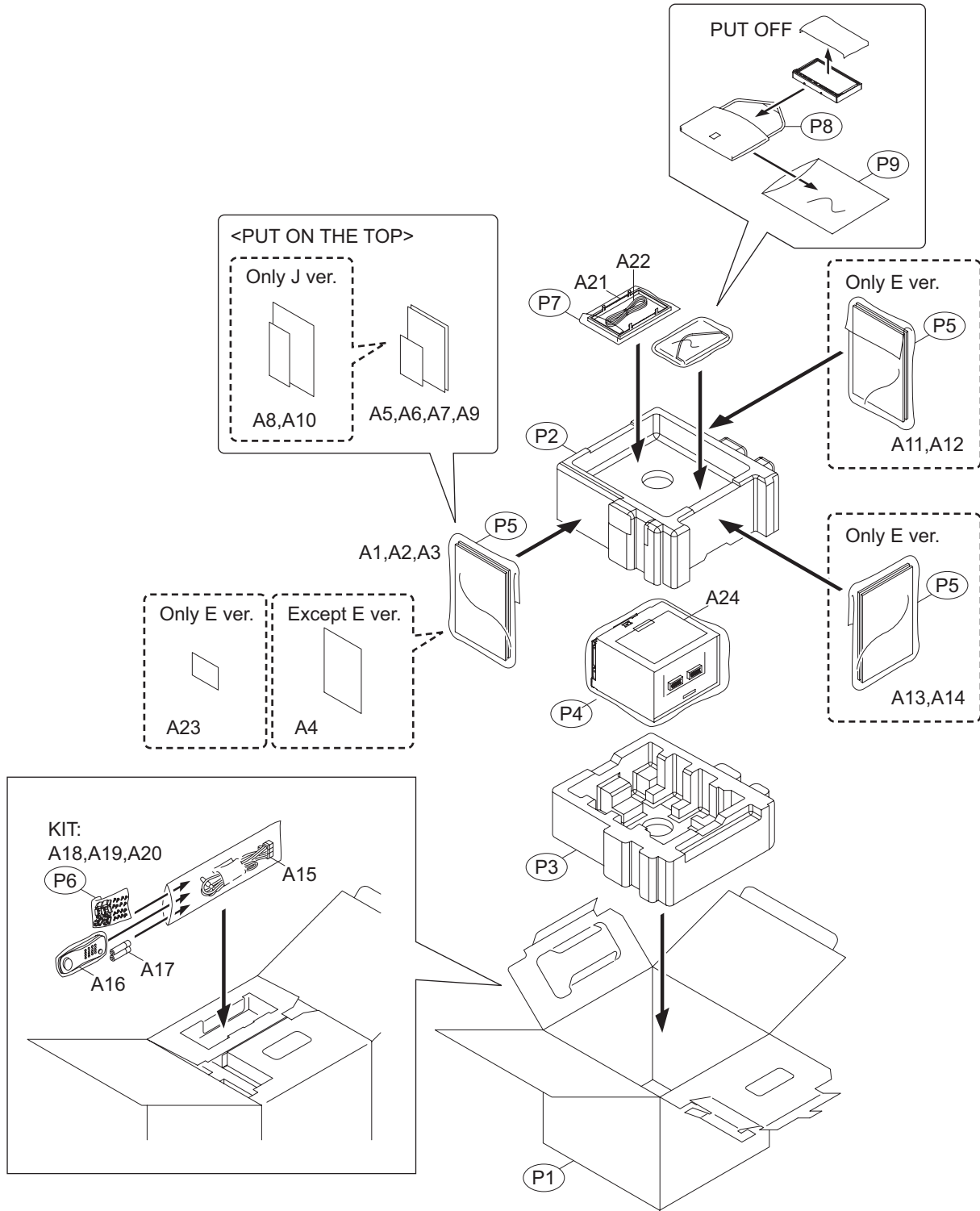
Symbol No.	Part No.	Part Name	Description	Local
R400	NRSA6AD-153W	MG RESISTOR	15kΩ 1/16W D	
R402	NRSA6AD-473W	MG RESISTOR	47kΩ 1/16W D	
R403	NRSA63J-101X	MG RESISTOR	100Ω 1/16W J	
R406	NRS125J-R22X	MG RESISTOR	0.22Ω 1/2W J	
R417	NRSA63J-183X	MG RESISTOR	18kΩ 1/16W J	
R419	NRSA63D-104X	MG RESISTOR	100kΩ 1/16W D	
R420	NRSA6AD-184W	MG RESISTOR	180kΩ 1/16W D	
L302	NQLA3GK-100X	COIL	10uH K	
L303	NQLA3GK-100X	COIL	10uH K	
CN1	QGF0523F3-20W	CONNECTOR	FFC/FPC (1-20)	
CN2	QGA1221F1-03W	CONNECTOR	W-B (1-3)	
CN101	QGF0522F2-26W	CONNECTOR	FFC/FPC (1-26)	
CN401	QGF0534F3-60X	CONNECTOR	FFC/FPC (1-60)	
CN402	QGF0522F3-06W	CONNECTOR	FFC/FPC (1-6)	
K2	NRSA63J-0R0X	MG RESISTOR	0Ω 1/16W J	
K3	NQR0502-001X	FERRITE BEADS		
K4	NRSA63J-0R0X	MG RESISTOR	0Ω 1/16W J	
K6	NRSA63J-0R0X	MG RESISTOR	0Ω 1/16W J	
K101	NQR0007-002X	FERRITE BEADS		
K102	NQR0007-002X	FERRITE BEADS		
K103	NQR0502-001X	FERRITE BEADS		
K104	NQR0502-001X	FERRITE BEADS		
K105	NQR0022-002X	FERRITE BEADS		
K106	NRSA63J-0R0X	MG RESISTOR	0Ω 1/16W J	
K107	NRSA63J-0R0X	MG RESISTOR	0Ω 1/16W J	
K108	NQR0129-002X	FERRITE BEADS		
K113	NQR0502-001X	FERRITE BEADS		
K114	NRSA63J-0R0X	MG RESISTOR	0Ω 1/16W J	
K115	NRSA63J-0R0X	MG RESISTOR	0Ω 1/16W J	
K117	NRSA63J-0R0X	MG RESISTOR	0Ω 1/16W J	
K118	NRSA63J-0R0X	MG RESISTOR	0Ω 1/16W J	
K119	NRSA63J-0R0X	MG RESISTOR	0Ω 1/16W J	
K120	NRSA63J-0R0X	MG RESISTOR	0Ω 1/16W J	
K121	NQL093K-1R8X	COIL	1.8uH K	
K125	NRSA63J-0R0X	MG RESISTOR	0Ω 1/16W J	
K126	NRSA63J-0R0X	MG RESISTOR	0Ω 1/16W J	
K127	NRSA63J-0R0X	MG RESISTOR	0Ω 1/16W J	
K128	NRSA63J-0R0X	MG RESISTOR	0Ω 1/16W J	
K131	NQR0022-005X	FERRITE BEADS		
K132	NQR0022-005X	FERRITE BEADS		
K133	NQR0022-005X	FERRITE BEADS		
K135	NQR0022-005X	FERRITE BEADS		
K136	NQR0022-005X	FERRITE BEADS		
K137	NRSA63J-0R0X	MG RESISTOR	0Ω 1/16W J	
K139	NRSA63J-0R0X	MG RESISTOR	0Ω 1/16W J	
K141	NRSA63J-0R0X	MG RESISTOR	0Ω 1/16W J	
K142	NRSA63J-0R0X	MG RESISTOR	0Ω 1/16W J	
S1	NSW0313-001X	DETECT SWITCH		
TH491	NAD0025-103X	N THERMISTOR	10kΩ	
X351	NAX0741-001X	CRYSTAL	27.000MHz	
X353	NAX0966-001X	C RESONATOR		
X354	NAX0927-001X	CRYSTAL		

<MEMO>

Packing materials and accessories parts list

Block No. M 3 M M

No additional / supplemental order of WARRANTY CARDS are available.



The parts without symbol number are not service.

Packing and Accessories

Block No. [M][3][M][M]

△ Symbol No.	Part No.	Part Name	Description	Local
A 1	LVT1837-001B	INST BOOK	ENG SPA FRE	J
A 1	LVT1839-001A	INST BOOK	ENG GER FRE	E
A 1	LVT1840-001A	INST BOOK	ENG RUS	EE
A 2	LVT1837-002A	INSTALL MANUAL	ENG SPA FRE	J
A 2	LVT1839-004A	INSTALL MANUAL	ENG GER FRE	E
A 2	LVT1840-002A	INSTALL MANUAL	ENG RUS	EE
A 3	LVT1672-002A	INST SHEET		
A 4	LVT1920-001A	CAUTION SHEET		J
A 4	LVT1923-001A	CAUTION SHEET		E
A 5	LVT1865-001A	CAUTION SHEET		
A 6	LVT1913-002A	CAUTION SHEET		
A 7	LVT1914-002A	CAUTION SHEET		
A 8	BT-51044-1	REGISTRATION CARD		J
A 9	-----	WARRANTY CARD	BT-51018-5	J
A 9	-----	WARRANTY CARD	BT-54036-1	E,EE
A 10	-----	WARRANTY CARD	BT-52008-1	J
A 11	LVT1839-003A	INST BOOK	SWE DAN POR	E
A 12	LVT1839-006A	INSTALL MANUAL	SWE DAN POR	E
A 13	LVT1839-002A	INST BOOK	DUT SPA ITA	E
A 14	LVT1839-005A	INSTALL MANUAL	DUT SPA ITA	E
A 15	QAM1106-004	CAR CABLE		J
A 15	QAM1107-001	CAR CABLE		E,EE
A 16	RM-RK250	REMOCON		
A 17	R03NWC/2SKS	BATTERY	(x2)	
A 18	QYSDSP5008ZA	SCREW	M5 x 8mm(x8)	
A 19	QYSSSP5008ZA	SCREW	M5 x 8mm(x8)	
A 20	LV41478-001A	CORD CONNECTER		J
A 20	LV41478-001A	CORD CONNECTER	(x2)	E,EE
A 21	LV22463-002A	TRIM PLATE		
A 22	QAL1088-001	GPS ANT		
A 23	VND3050-002	IDENTITY CARD		E
A 24	LV44661-006A	CAUTION SHEET		
KIT	SRW-MA393	SCREW PARTS KIT	A18 A19 A20	J
KIT	SRW-AVX800E	SCREW PARTS KIT	A18 A19 A20	E,EE
P 1	LV38237-003A	CARTON		J
P 1	LV38236-002A	CARTON		E
P 1	LV38238-002A	CARTON		EE
P 2	LV11394-002A	CUSHION TOP(E)		
P 3	LV11395-002A	CUSHION BOT(E)		
P 4	QPC03504015PB	POLY BAG	35cm x 40cm	
P 5	FSPG4002-001	POLY BAG		J,EE
P 5	FSPG4002-001	POLY BAG	(x3)	E
P 6	QPA00801205	POLY BAG	8cm x 12cm	
P 7	FSPG4002-001	POLY BAG		
P 8	LV45104-001A	SOFT CASE		
P 9	QPA01703505PB	POLY BAG	17cm x 35cm	

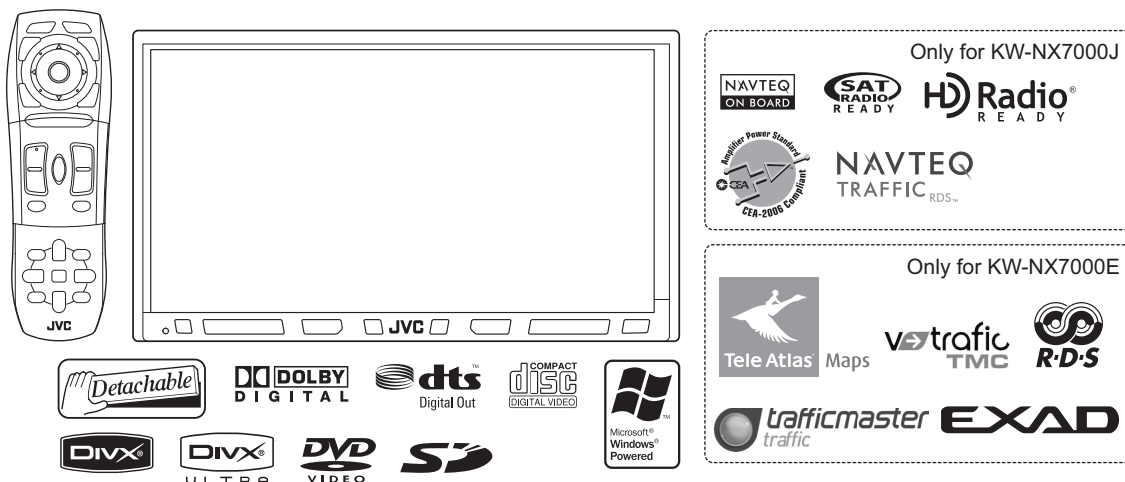
JVC

SCHEMATIC DIAGRAMS

NAVIGATION/DVD RECEIVER

KW-NX7000J, KW-NX7000E KW-NX7000EE

DVD-ROM No.SML2008Q2



Lead free solder used in the board (material : Sn-Ag-Cu, melting point : 219 Centigrade)
Lead free solder used in the board (material : Sn-Cu, melting point : 230 Centigrade)

Contents

Block diagram	2-1
Standard schematic diagrams	2-3
Printed circuit boards	2-8 to 10

Safety precaution

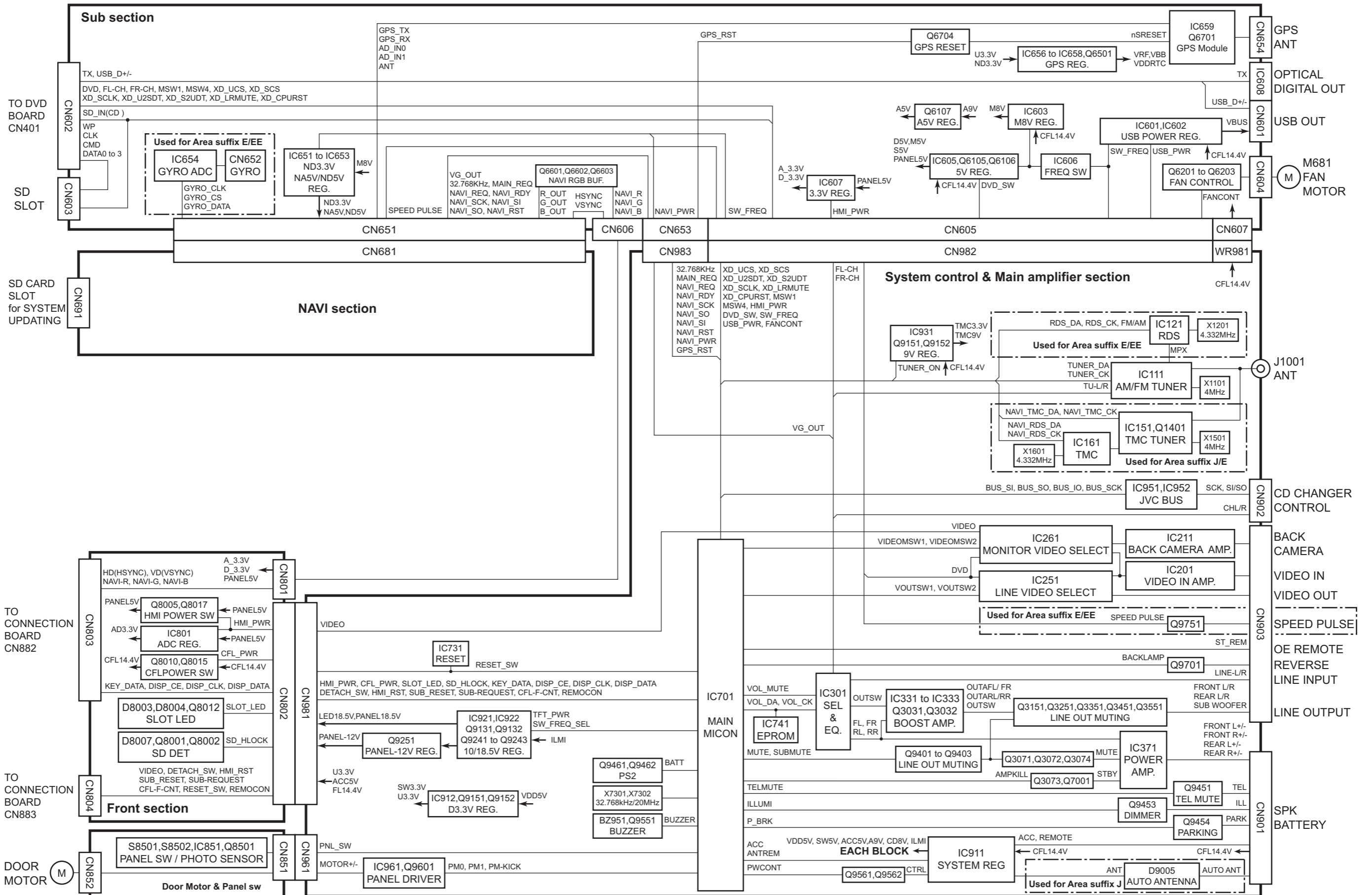


CAUTION Burrs formed during molding may be left over on some parts of the chassis. Therefore, pay attention to such burrs in the case of performing repair of this system.



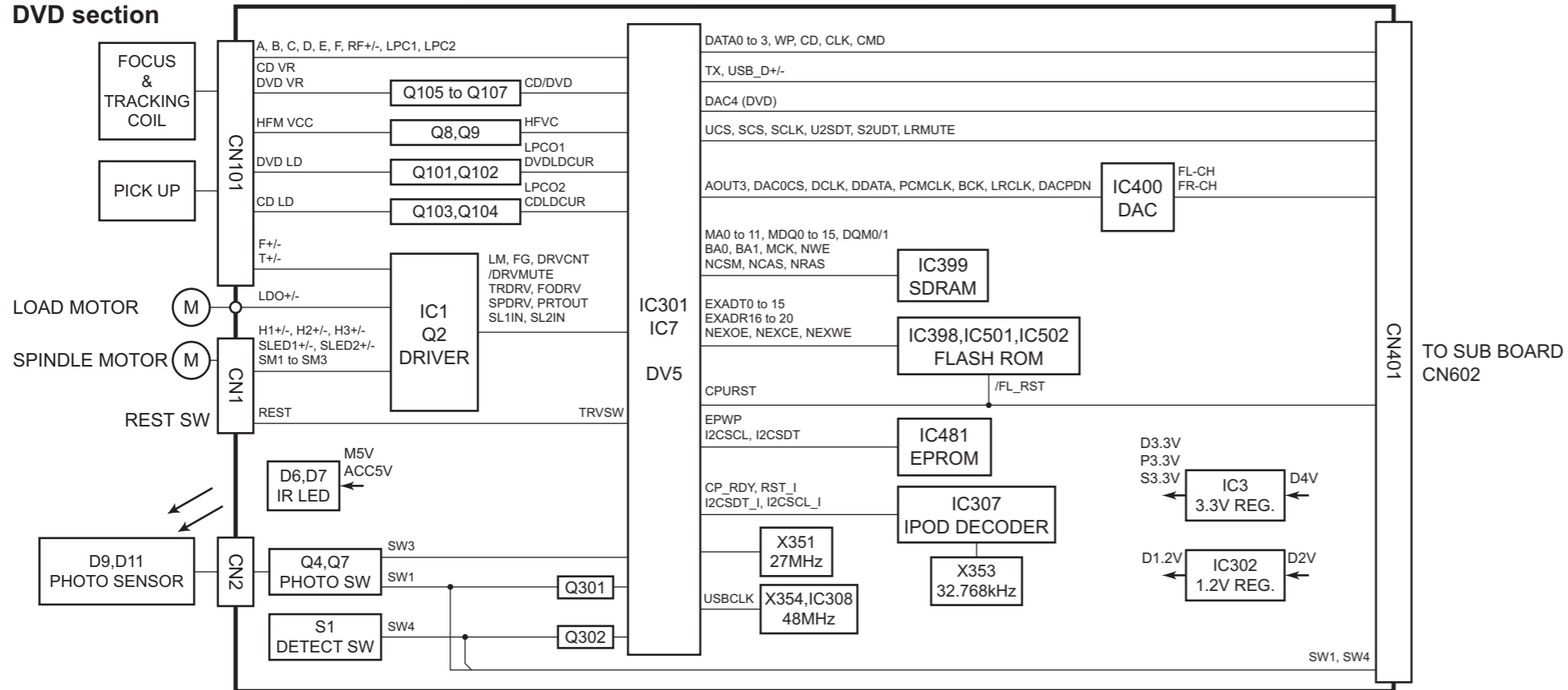
CAUTION Please use enough caution not to see the beam directly or touch it in case of an adjustment or operation check.

Block diagram (Main)

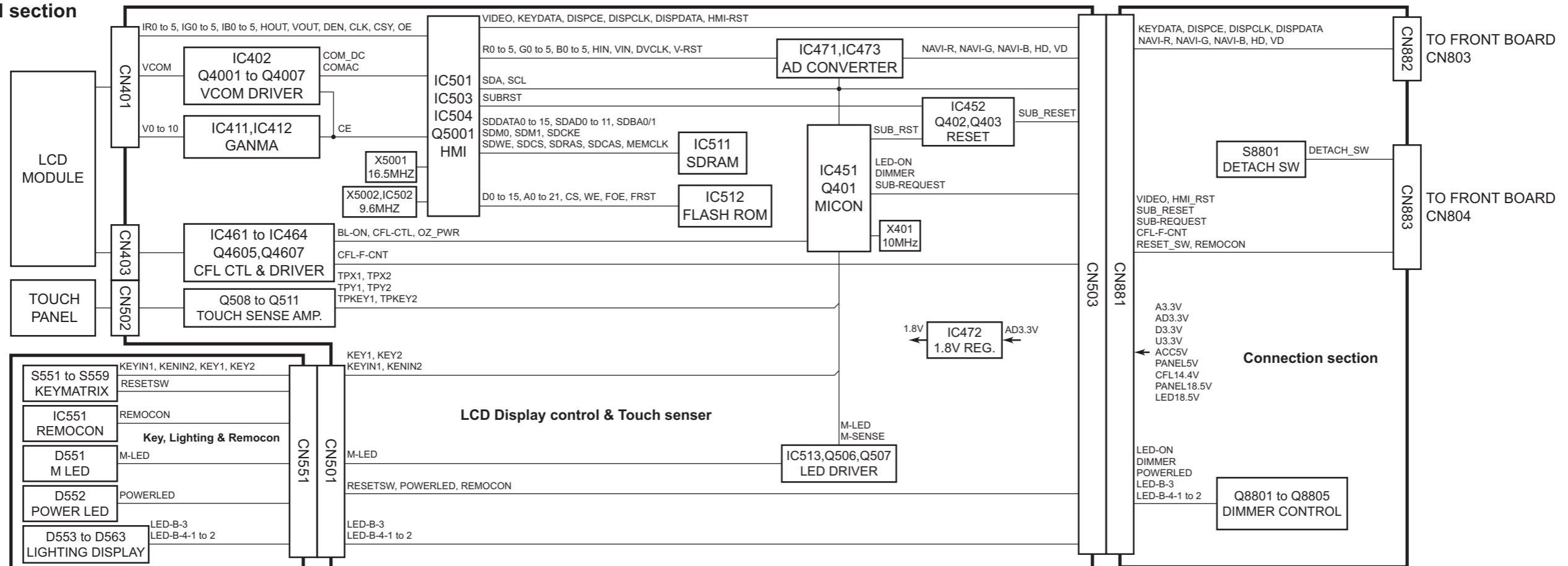


Block diagram (DVD & Panel)

DVD section

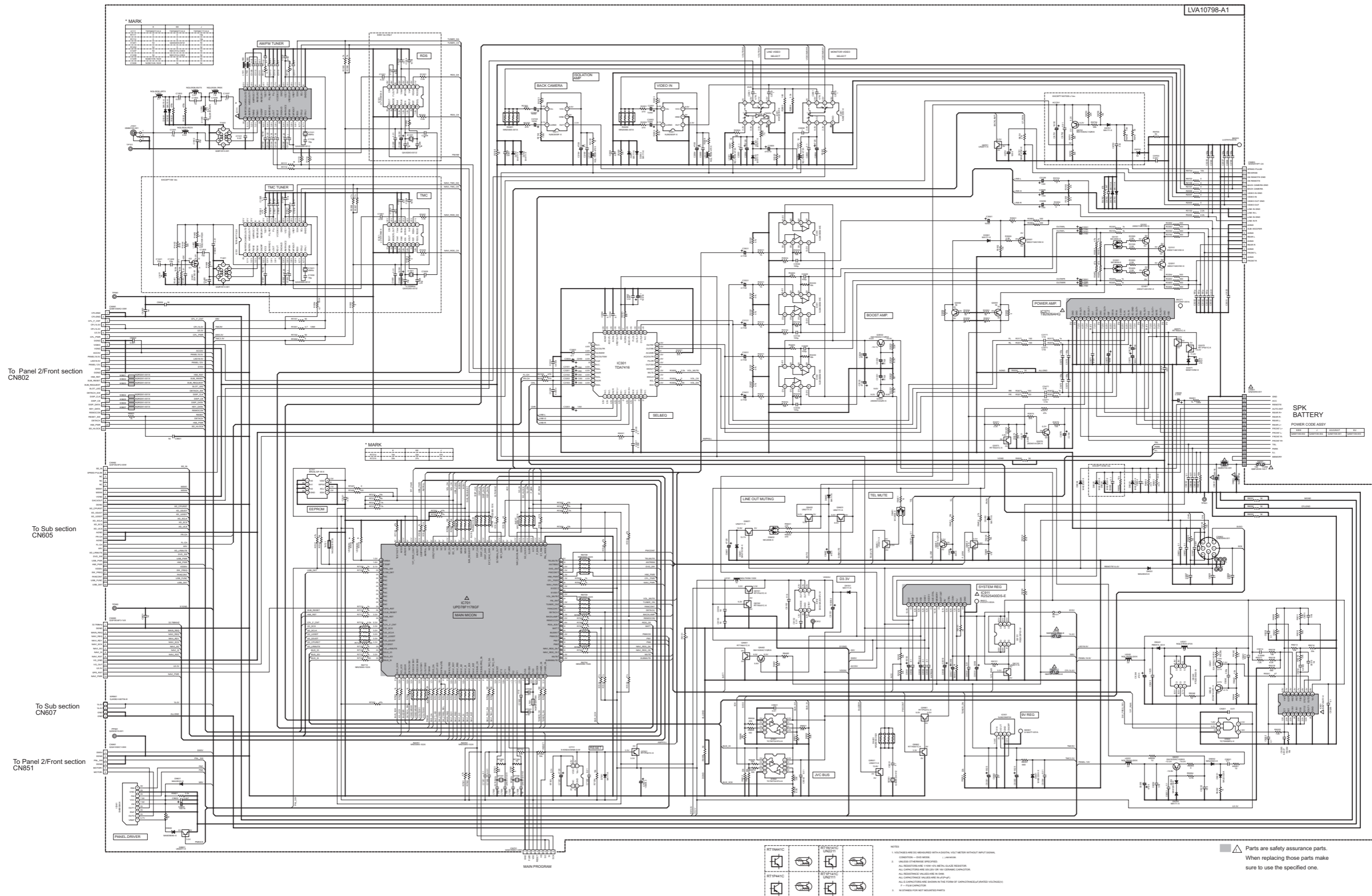


Panel section

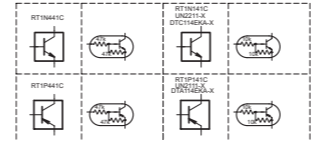
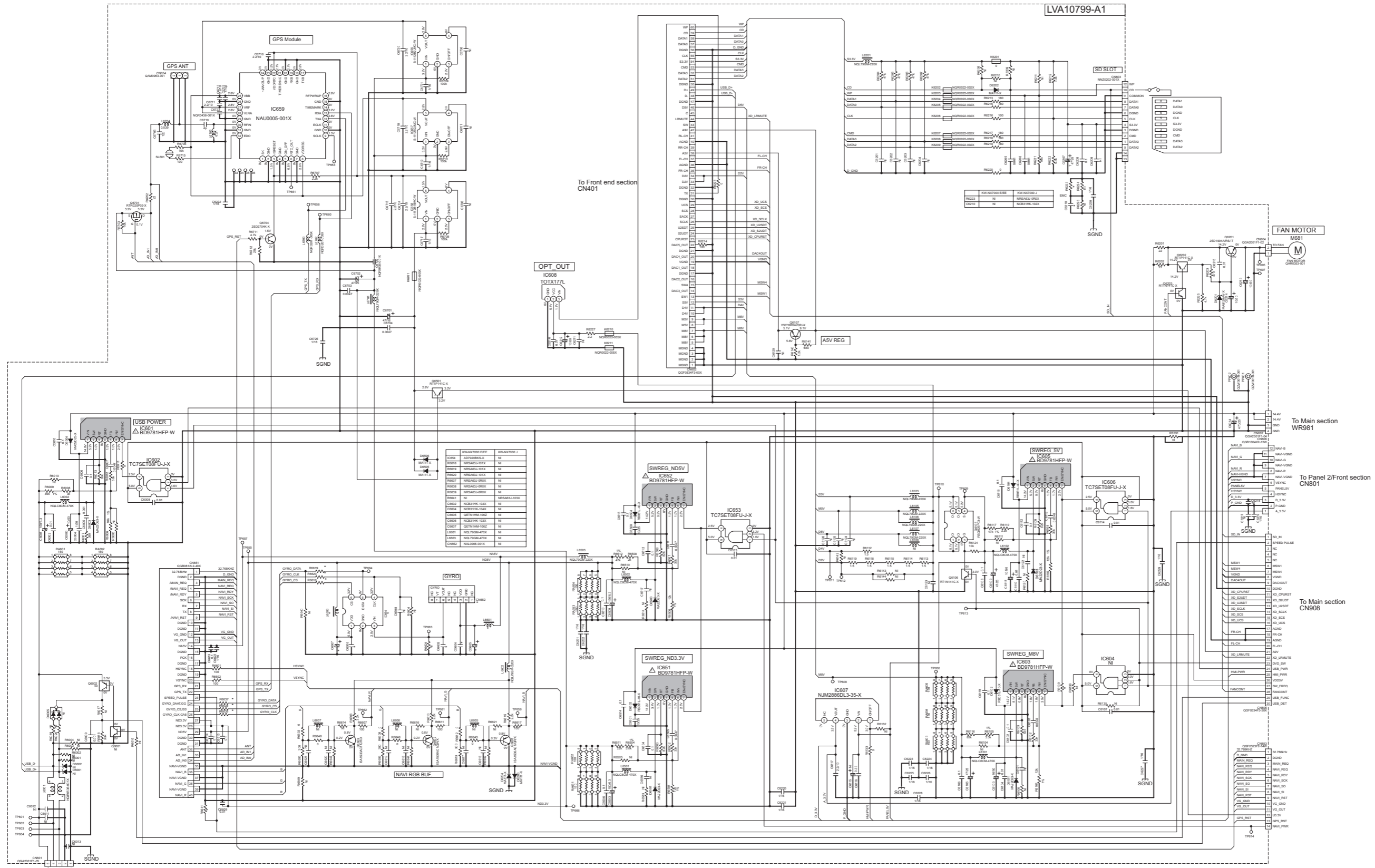


Standard schematic diagrams

■ Main section



Sub section

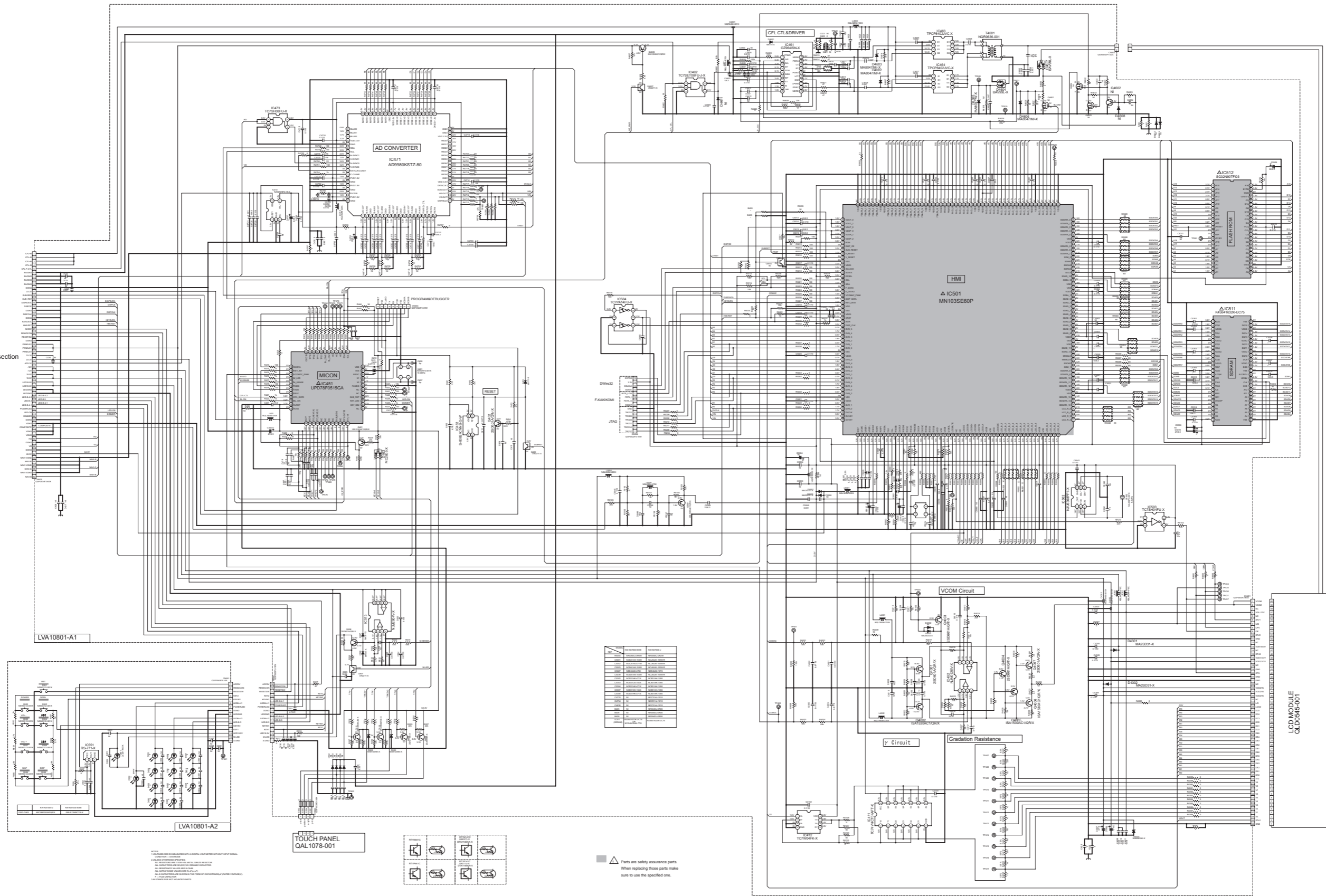


NOTES
 1 VOLTAGES ARE DC MEASURED WITH A DIGITAL VOLT METER WITHOUT INPUT SIGNAL.
 2 UNLESS OTHERWISE SPECIFIED.
 3 DIMENSIONS ARE IN MILLIMETERS.
 4 ALL CAPACITORS ARE 50VDC UNLESS OTHERWISE SPECIFIED.
 5 ALL RESISTORS ARE 1/4W UNLESS OTHERWISE SPECIFIED.
 6 ALL CAPACITANCE VALUES ARE IN PICO (P), NANO (N), MICRO (U), MILLI (M), OR KILO (K) UNLESS OTHERWISE SPECIFIED.
 7 F - FILM CAPACITOR
 8 3/4 STANDS FOR NOT SOLICITED PARTS.

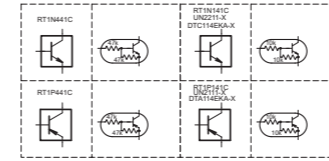
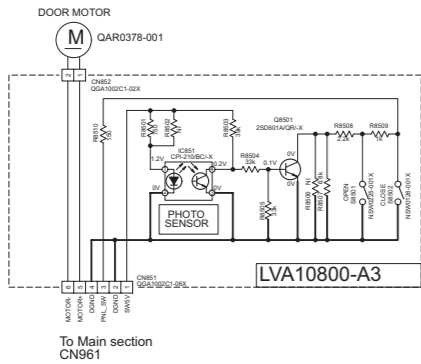
Parts are safety assurance parts.
 When replacing those parts make sure to use the specified one.

■ Panel 1 section

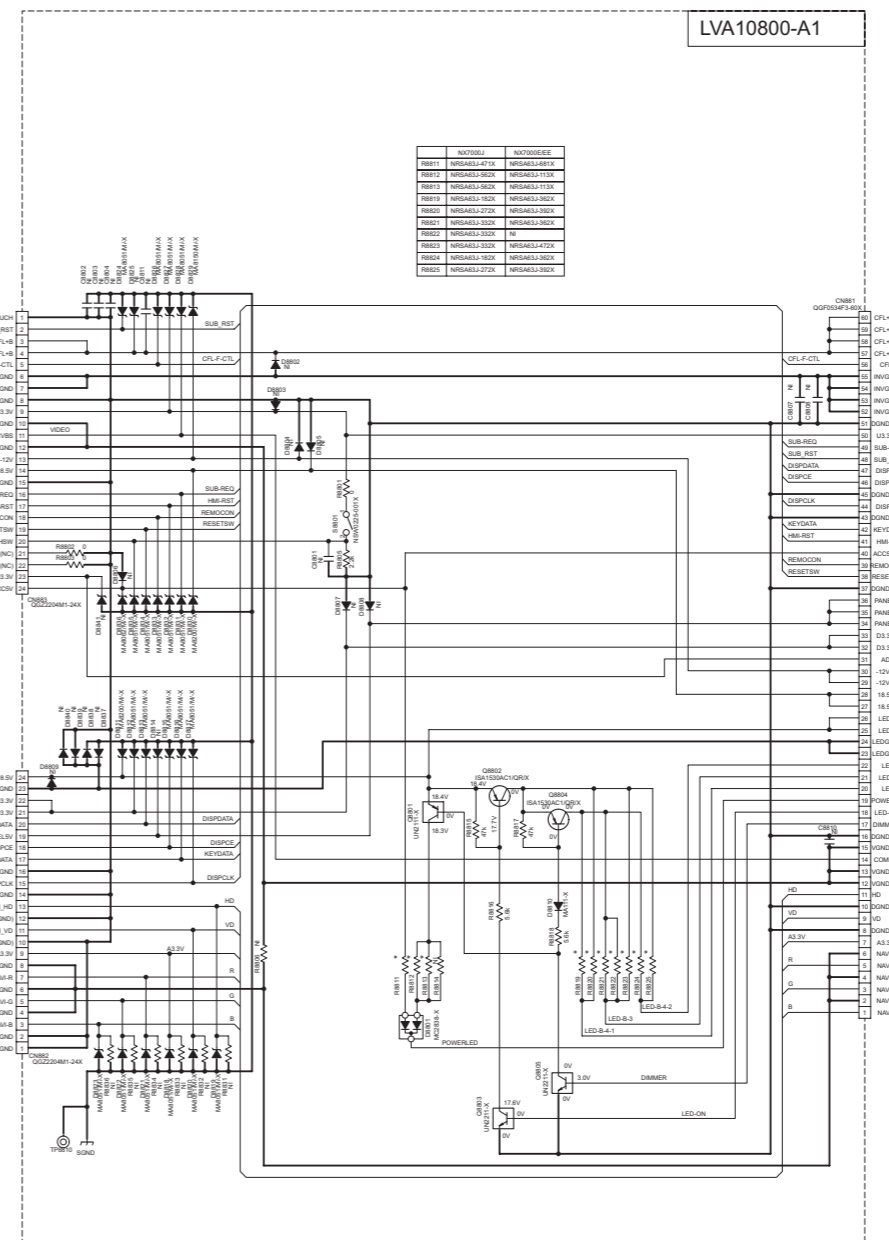
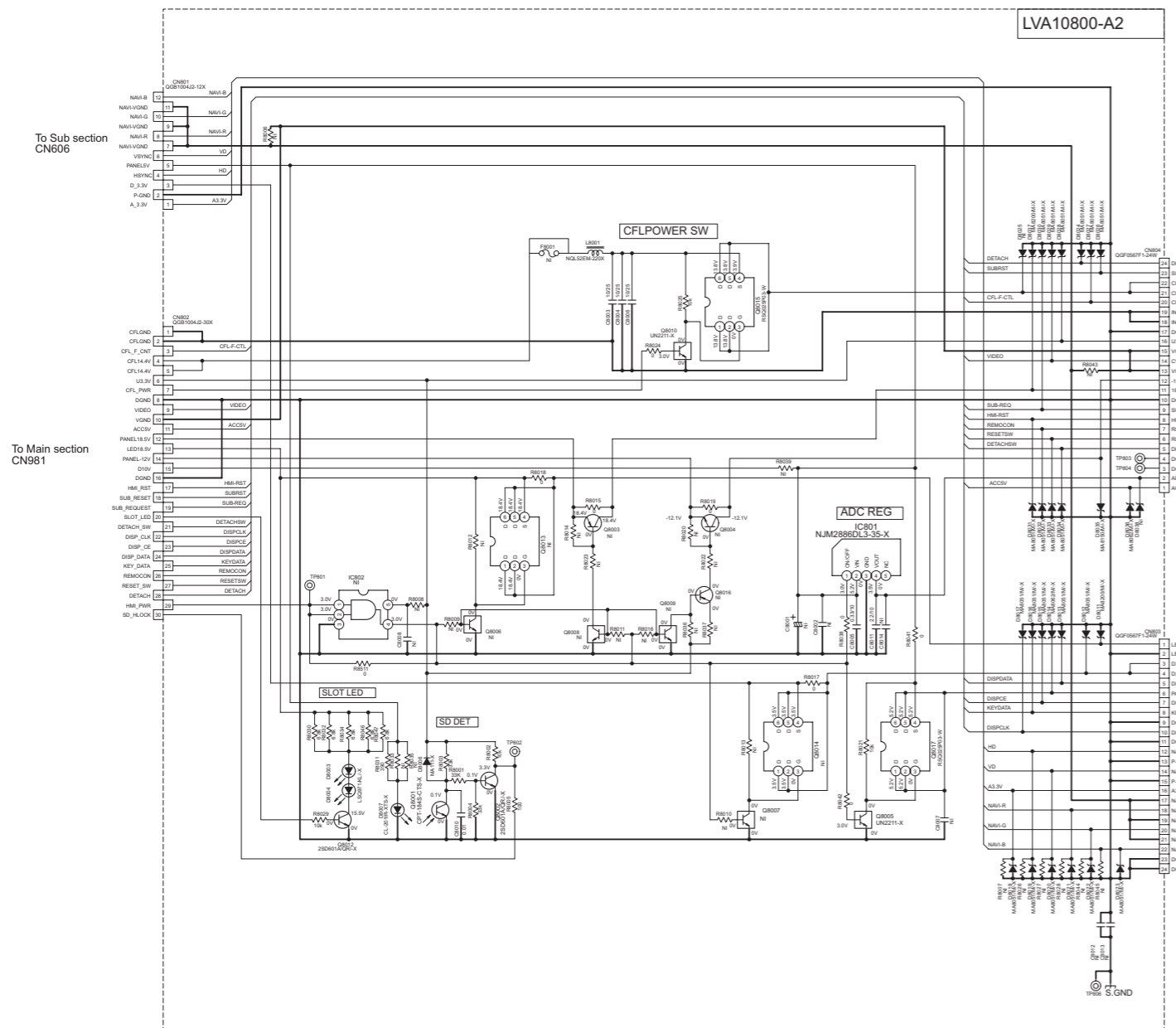
To Panel 2/Front section
CN881



■ Panel 2/Front section

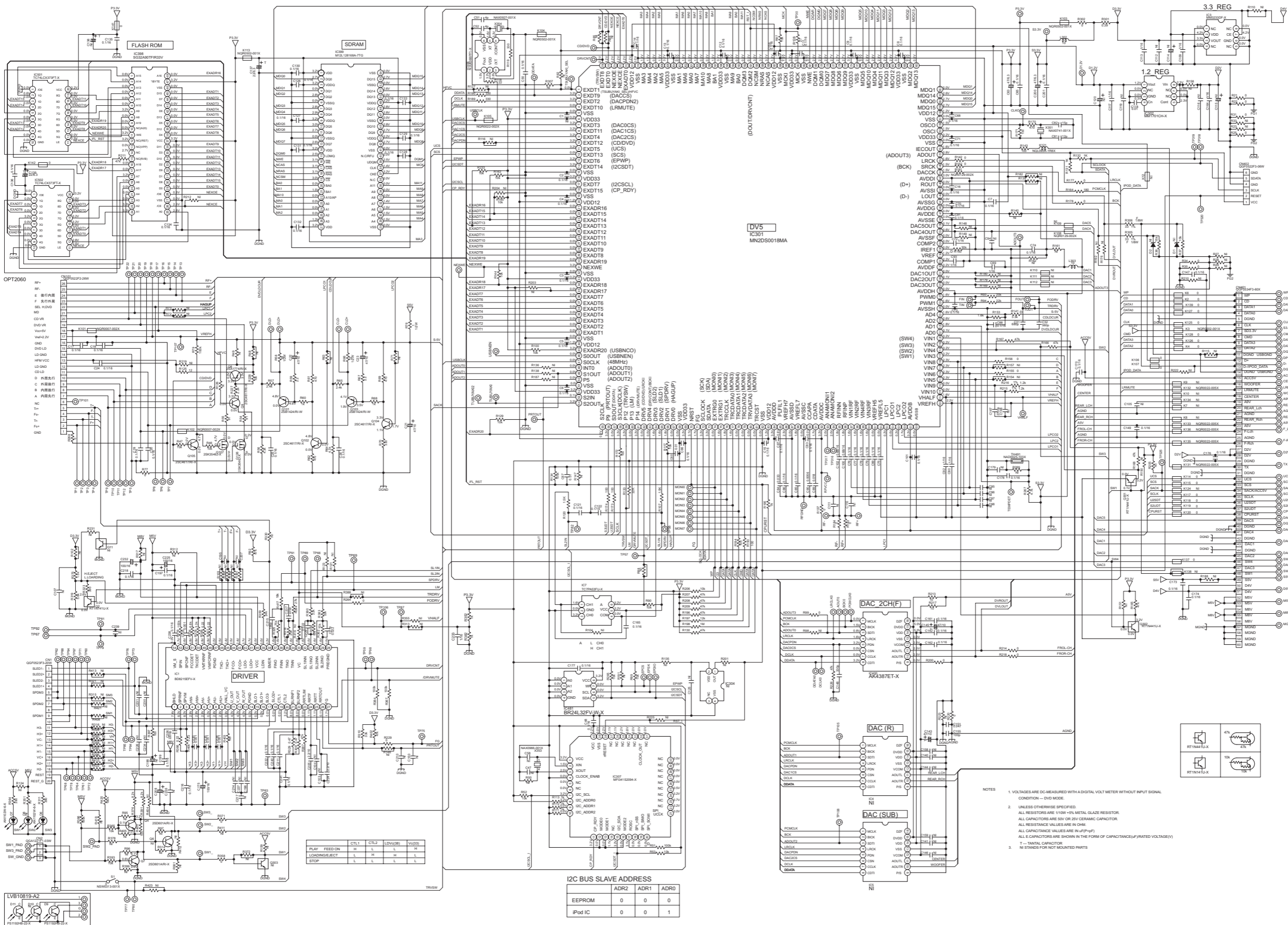


NOTES
 1. VOLTAGES ARE DC MEASURED WITH A DIGITAL VOLT METER WITHOUT INPUT SIGNAL.
 CONDITION - DPO MODE
 2. UNLESS OTHERWISE SPECIFIED:
 ALL RESISTORS ARE 1/16W 4% METAL GLAZE RESISTOR
 ALL CAPACITORS ARE 50V 20% CERAMIC CAPACITOR
 ALL RESISTANCE VALUES ARE IN OHMS
 ALL CAPACITANCE VALUES ARE IN uF@=PF
 ALL CAPACITORS ARE SHOWN IN THE FORM OF CAPACITANCE/(RATED VOLTAGE)
 F = FILM CAPACITOR
 3IN STANDS FOR NOT MOUNTED PARTS.



REF ID	VALUE	REF ID	VALUE
R881	N7000J	N7000EE	
R882	N7000J	N7000EE	
R883	N7000J	N7000EE	
R884	N7000J	N7000EE	
R885	N7000J	N7000EE	
R886	N7000J	N7000EE	
R887	N7000J	N7000EE	
R888	N7000J	N7000EE	
R889	N7000J	N7000EE	
R890	N7000J	N7000EE	
R891	N7000J	N7000EE	
R892	N7000J	N7000EE	
R893	N7000J	N7000EE	
R894	N7000J	N7000EE	
R895	N7000J	N7000EE	
R896	N7000J	N7000EE	
R897	N7000J	N7000EE	
R898	N7000J	N7000EE	
R899	N7000J	N7000EE	
R900	N7000J	N7000EE	

Front end section



To Sub section CN602

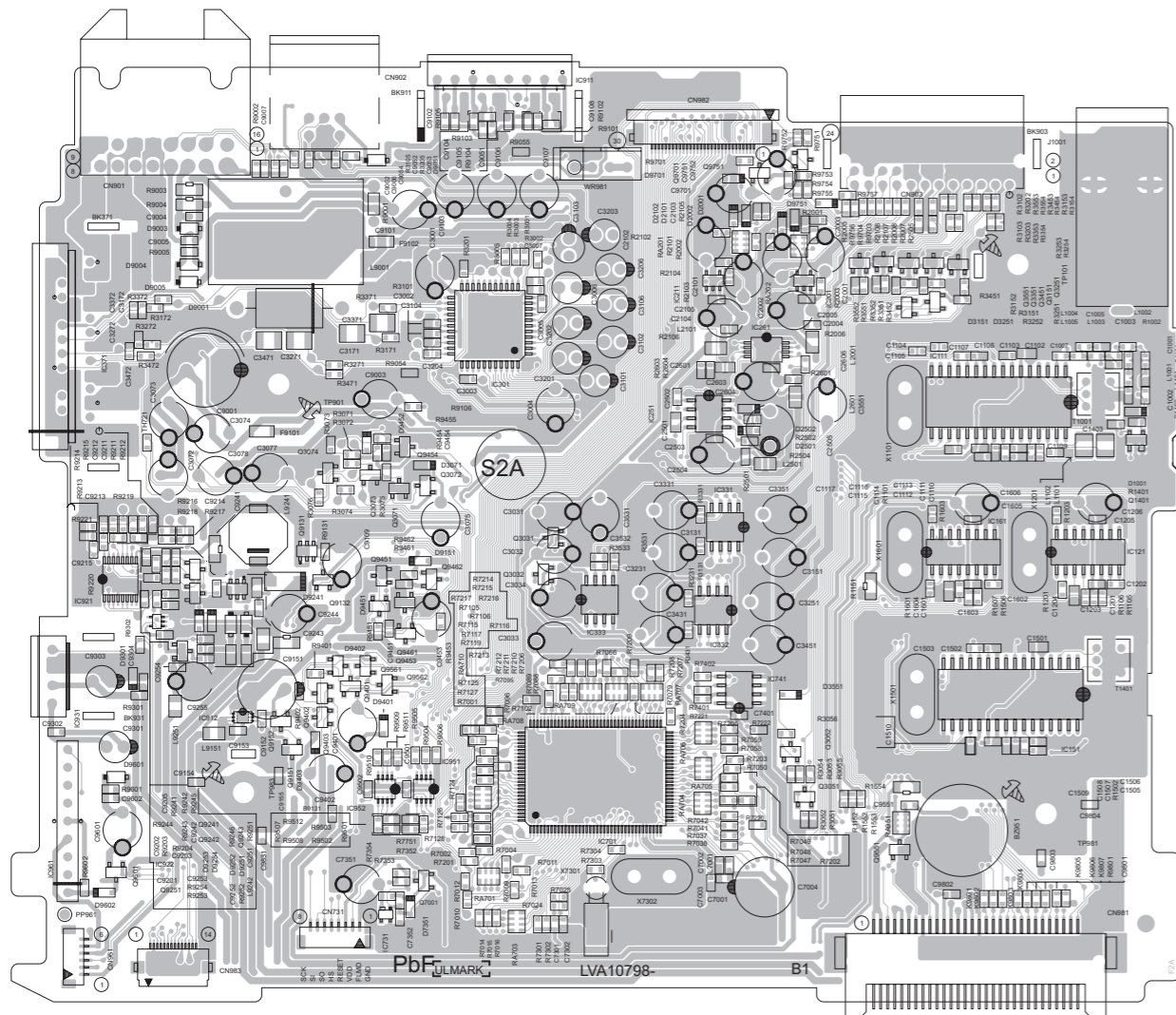
- NOTES
1. VOLTAGES ARE DC-MEASURED WITH A DIGITAL VOLT METER WITHOUT INPUT SIGNAL CONDITION - DVD MODE.
 2. UNLESS OTHERWISE SPECIFIED:
ALL RESISTORS ARE 1/16W -1% METAL GLAZE RESISTOR.
ALL CAPACITORS ARE 50V OR 25V CERAMIC CAPACITOR.
ALL RESISTANCE VALUES ARE IN OHM.
ALL CAPACITANCE VALUES ARE IN uF(pF).
 3. T - TANTALUM CAPACITOR.
N - IN PINNACLES FOR NOT MOUNTED PARTS.

Printed circuit boards

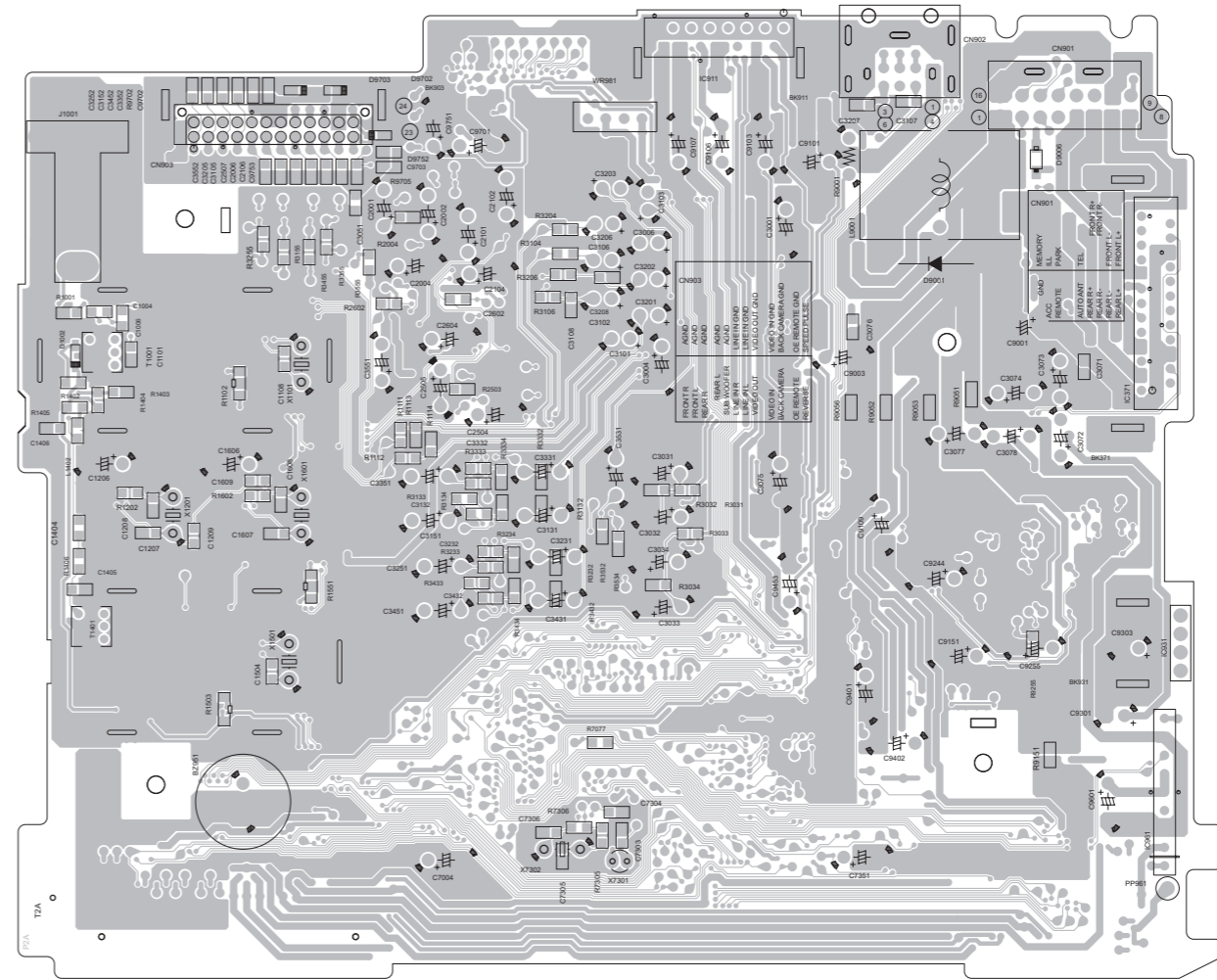
■ **Main board** Lead free solder used in the board (material : Sn-Ag-Cu, melting point : 219 Centigrade)

Lead free solder used in the board (material : Sn-Cu, melting point : 230 Centigrade)

forward side



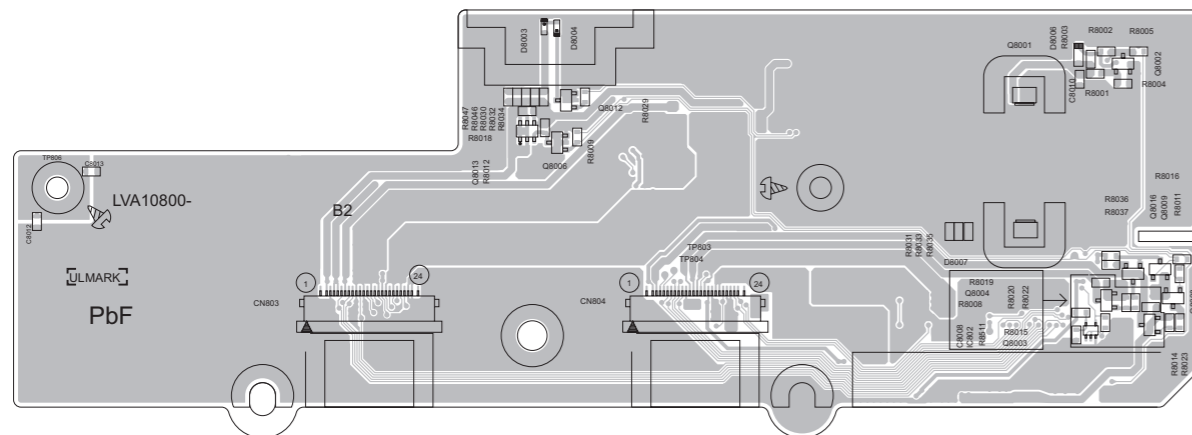
reverse side



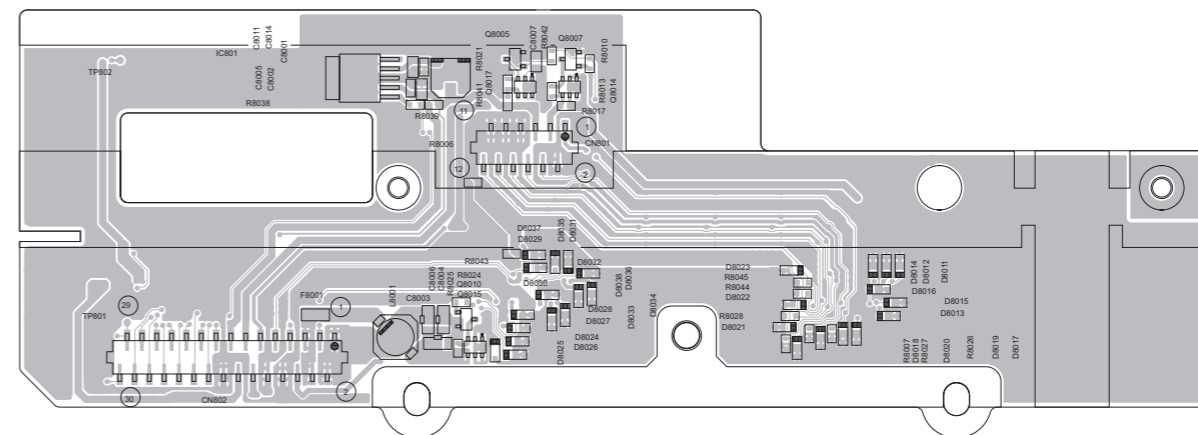
■ **Front board** Lead free solder used in the board (material : Sn-Ag-Cu, melting point : 219 Centigrade)

Lead free solder used in the board (material : Sn-Cu, melting point : 230 Centigrade)

forward side



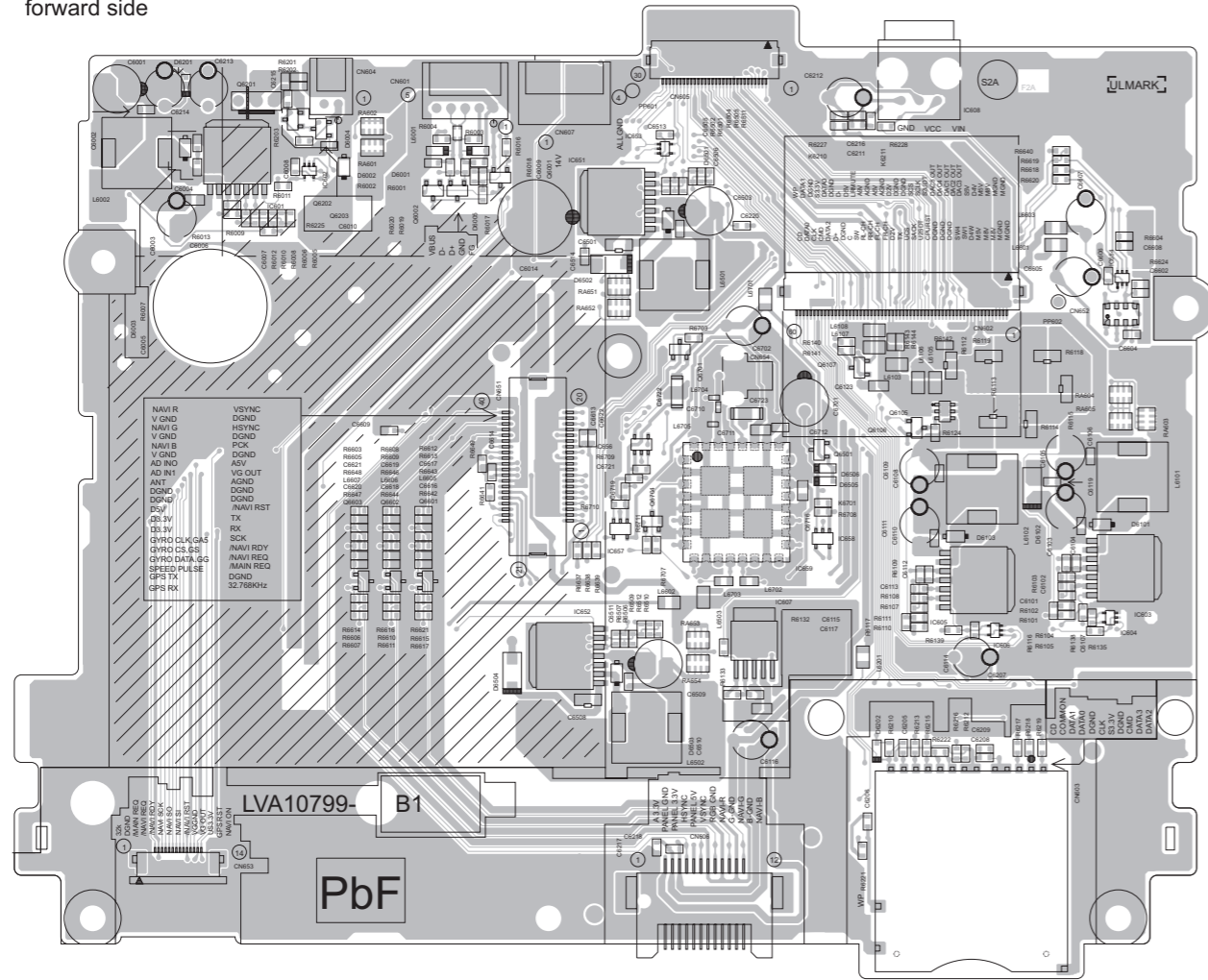
reverse side



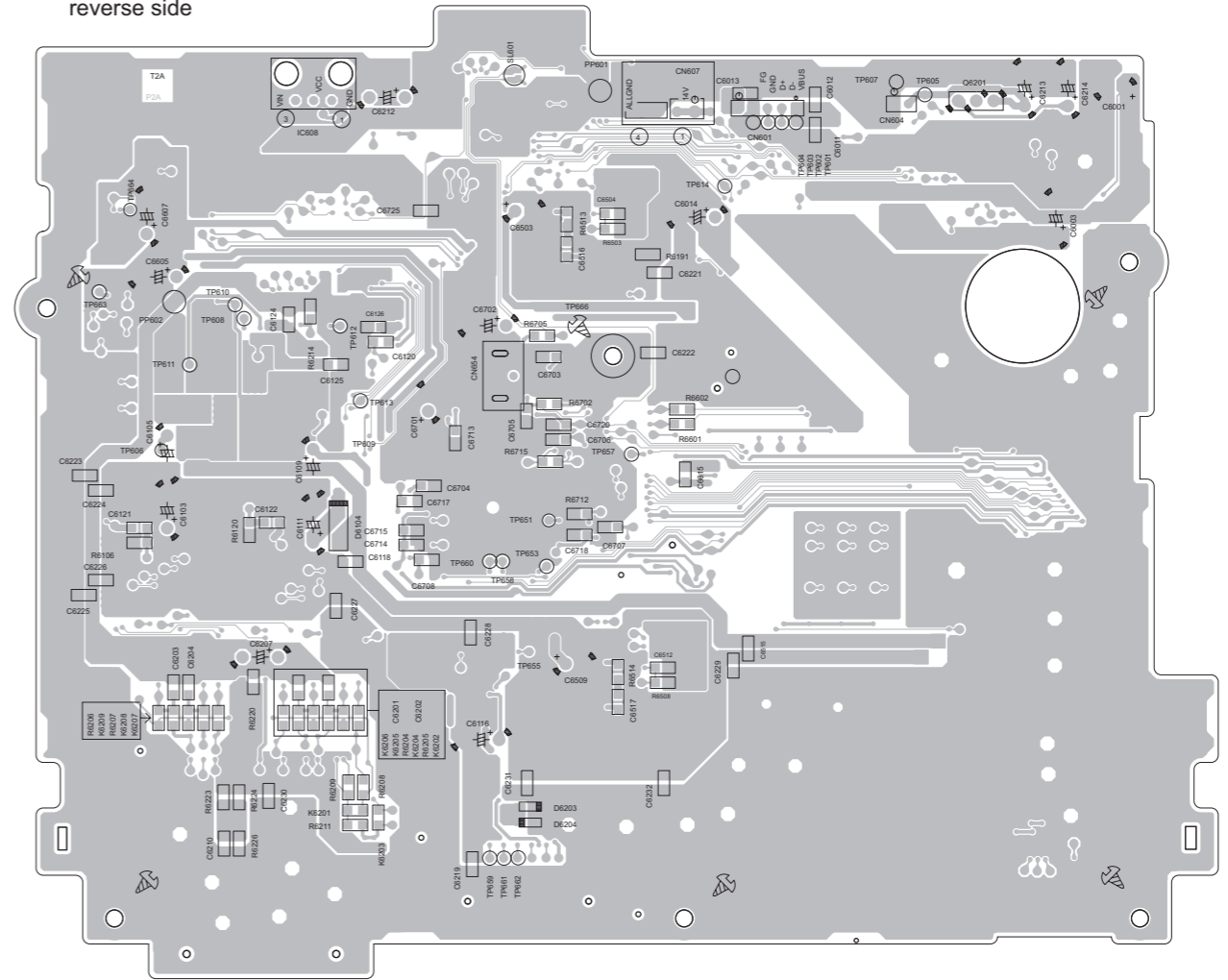
■ **Sub board** Lead free solder used in the board (material : Sn-Ag-Cu, melting point : 219 Centigrade)

Lead free solder used in the board (material : Sn-Cu, melting point : 230 Centigrade)

forward side



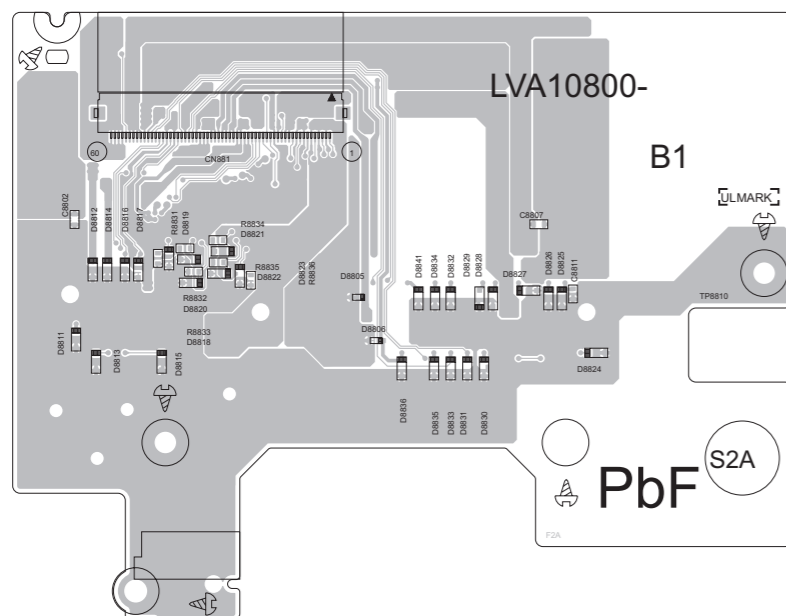
reverse side



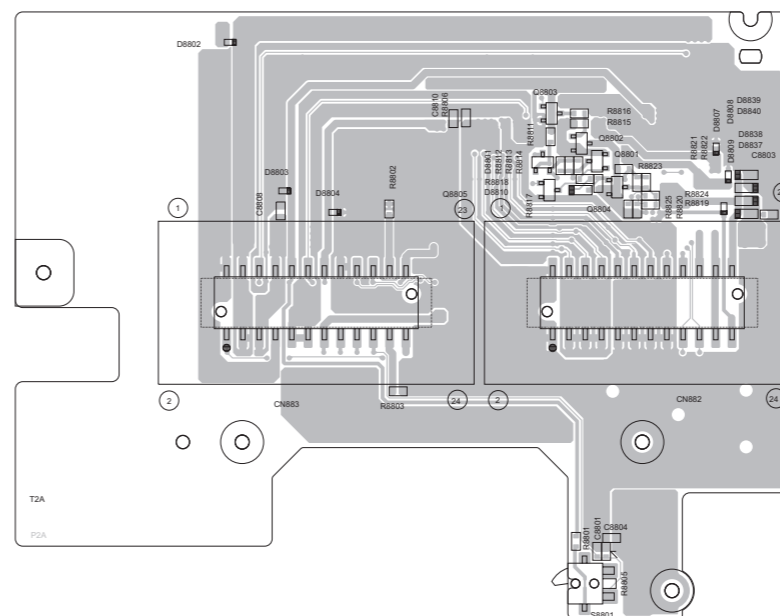
■ **Connection board** Lead free solder used in the board (material : Sn-Ag-Cu, melting point : 219 Centigrade)

Lead free solder used in the board (material : Sn-Cu, melting point : 230 Centigrade)

forward side



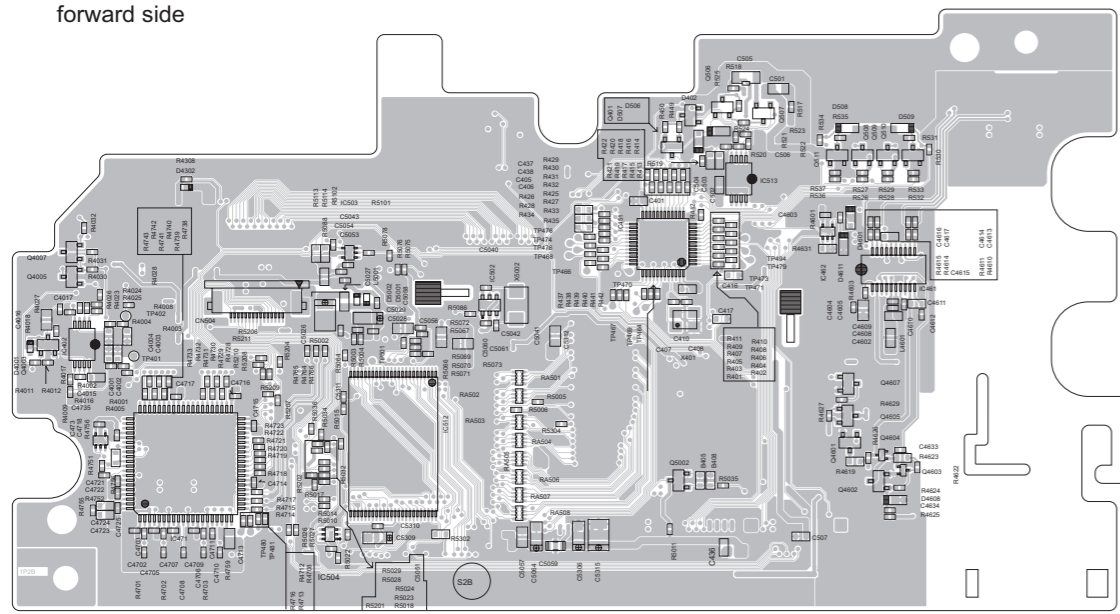
reverse side



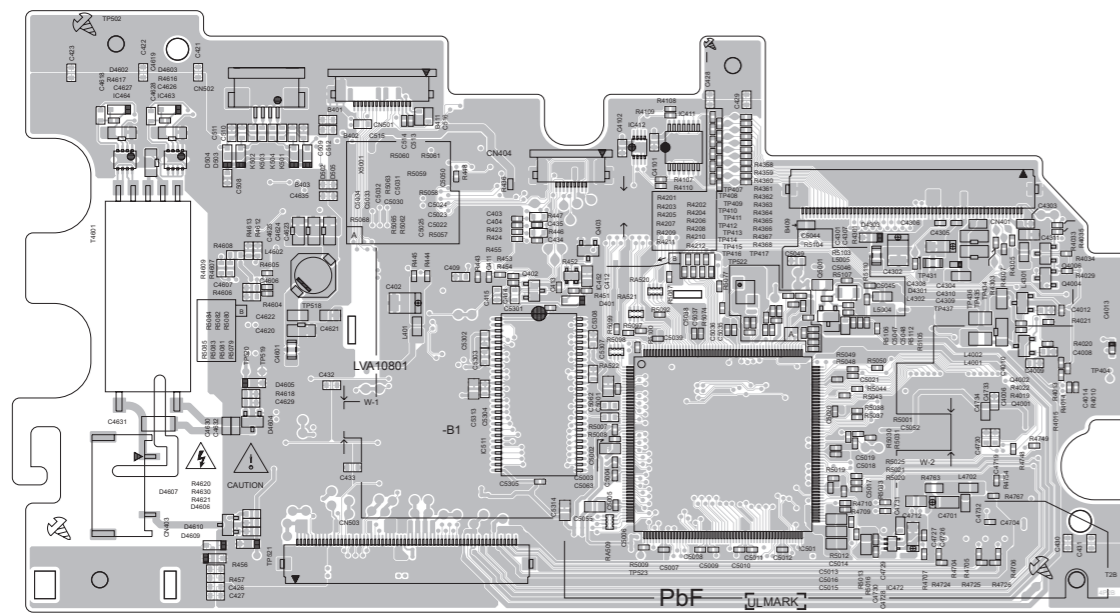
■ **Panel board** Lead free solder used in the board (material : Sn-Ag-Cu, melting point : 219 Centigrade)

Lead free solder used in the board (material : Sn-Cu, melting point : 230 Centigrade)

forward side



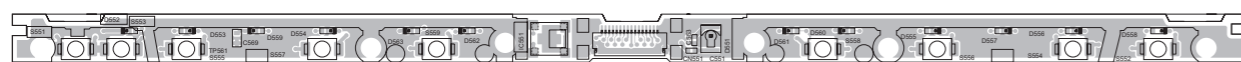
reverse side



■ **Switch board** Lead free solder used in the board (material : Sn-Ag-Cu, melting point : 219 Centigrade)

Lead free solder used in the board (material : Sn-Cu, melting point : 230 Centigrade)

forward side



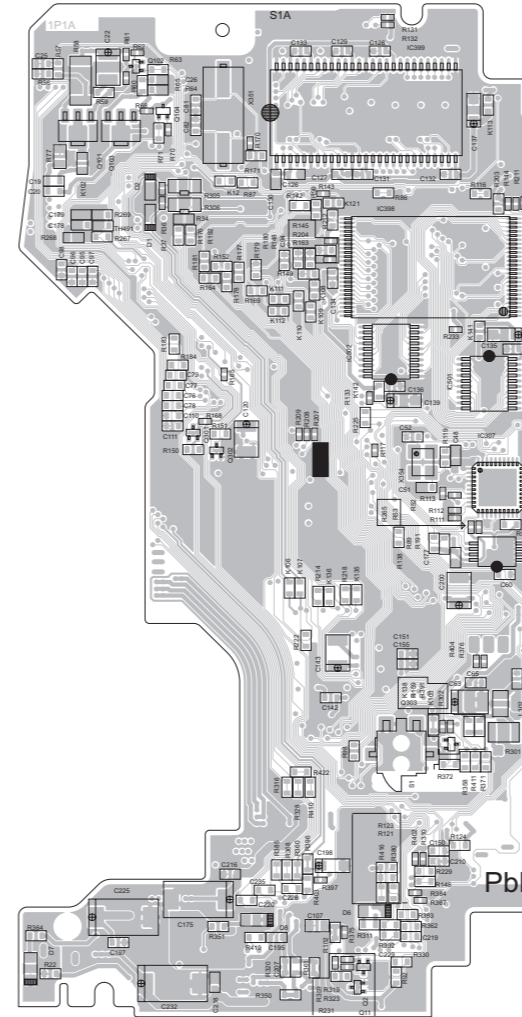
reverse side



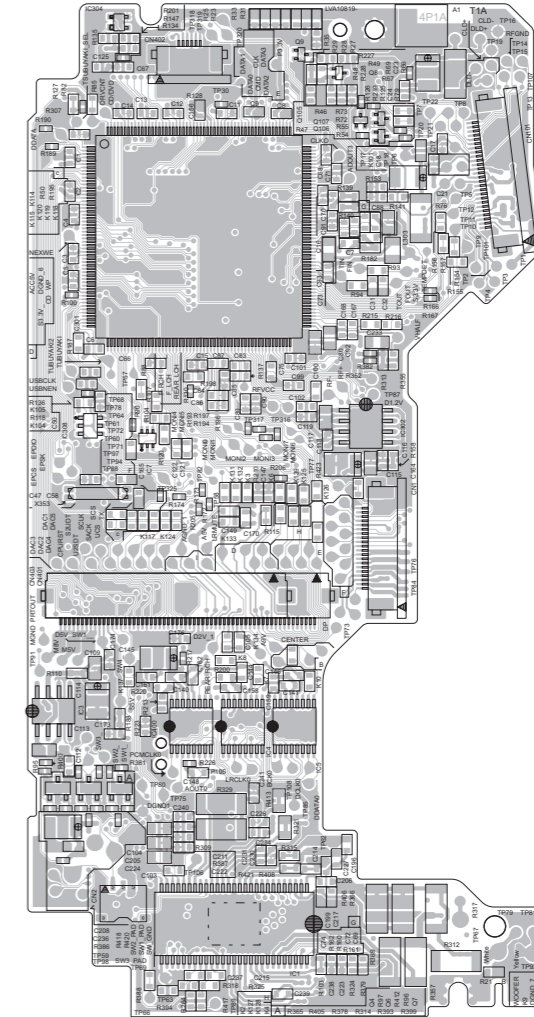
■ **Front end board** Lead free solder used in the board (material : Sn-Ag-Cu, melting point : 219 Centigrade)

Lead free solder used in the board (material : Sn-Cu, melting point : 230 Centigrade)

forward side



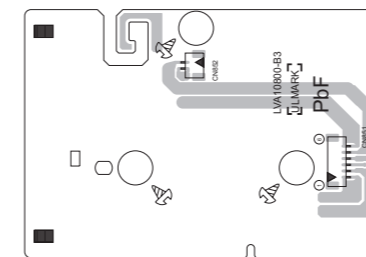
reverse side



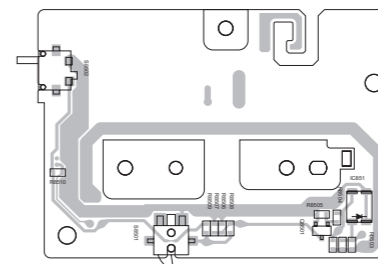
■ **Door board** Lead free solder used in the board (material : Sn-Ag-Cu, melting point : 219 Centigrade)

Lead free solder used in the board (material : Sn-Cu, melting point : 230 Centigrade)

forward side



reverse side



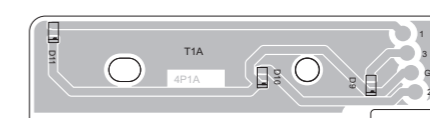
■ **Sensor board** Lead free solder used in the board (material : Sn-Ag-Cu, melting point : 219 Centigrade)

Lead free solder used in the board (material : Sn-Cu, melting point : 230 Centigrade)

forward side



reverse side



< MEMO >



Victor Company of Japan, Limited

Mobile Entertainment Division 10-1,1chome,Ohwatari-machi,Maebashi-city,Gumma-ken,371-8543,Japan